

A 081-MS

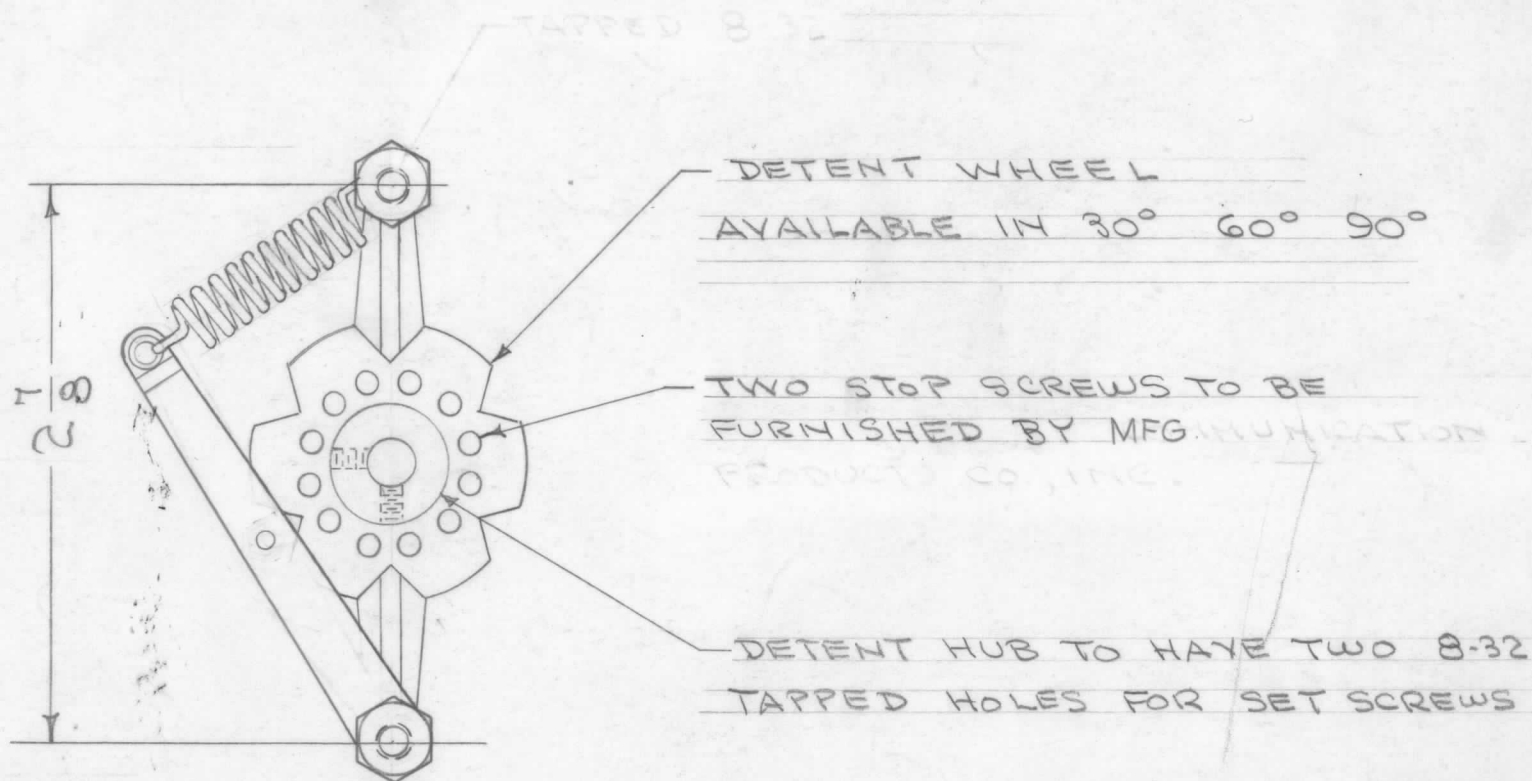
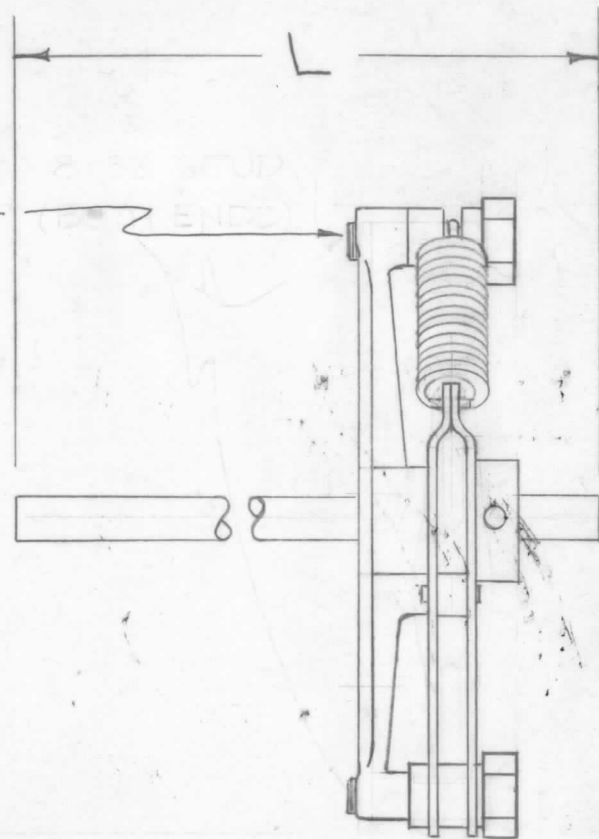
THE TECHNICAL MATERIEL CORPORATION
MAMARONECK, NEW YORK

THE TECHNICAL MATERIEL CORPORATION claims proprietary right in the material disclosed hereon. This drawing is issued in confidence for engineering information only and may not be reproduced or used to manufacture anything shown hereon without permission from THE TECHNICAL MATERIEL CORPORATION to the user. This drawing is loaned for mutual assistance and is subject to recall at any time.

Property of:

NOTICE TO PERSONS RECEIVING THIS DRAWING

8-32 STUDS (BOTH ENDS)



TYPE DESIGNATION TO BE IN FOLLOWING FORM

SW-180-B-2.875
 TYPE NUMBER DETENT "L" WHEEL SHAFT LENGTH STYLE IN INCHES

A- 30° DETENT WHEEL
 B- 60° " "
 C- 90° " "

ISSUE	ITEM	CHANGED FROM	DATE	CH. NO.	DRAFTS	CHECKER	ENG. APP.
A	1	Physical Change	8-11-60	2749	J.C.B.	<i>[Signature]</i>	<i>[Signature]</i>
TOLERANCES			SCALE: S401-113 (MODEL 86)				
DEC. DIM. ±			MAXIMUM ALLOWABLE TOLERANCES HAVE BEEN DETERMINED AND ANY DEVIATIONS WILL BE CAUSE FOR REJECTION. REMOVE ALL BURRS AND SHARP EDGES				
FRAC. DIM. ±							
ANGULAR DIM. ±							

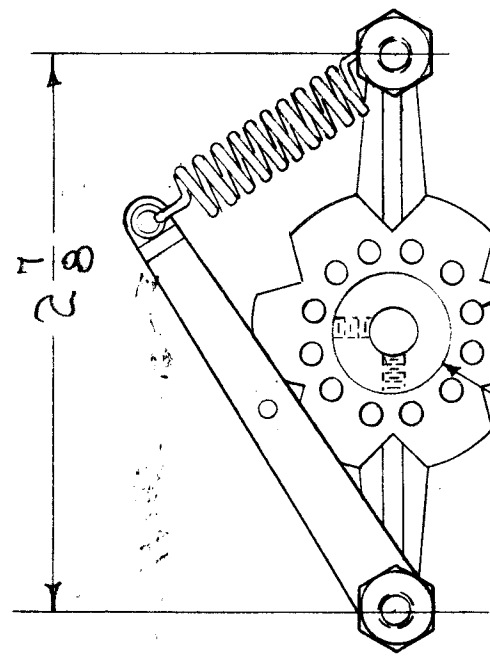
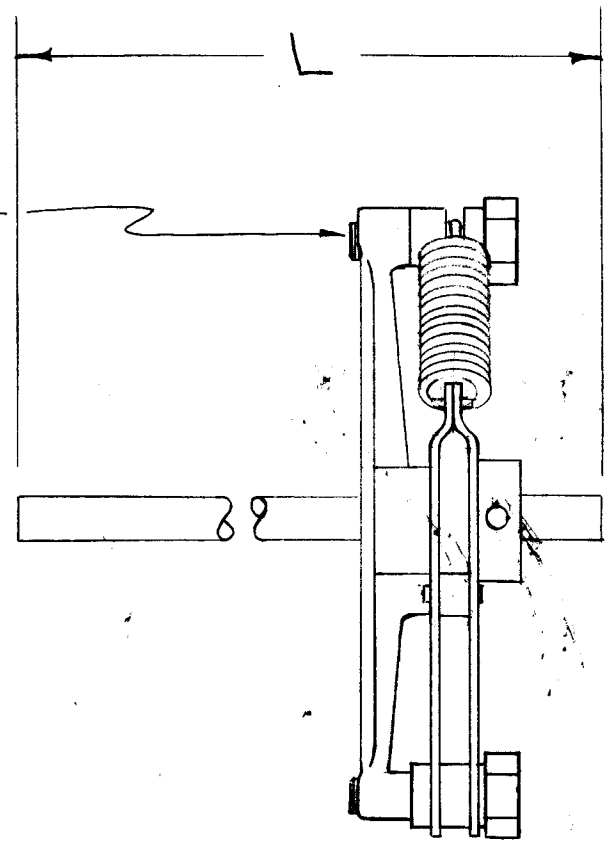
1	RTF	A-1273	2-6-56
REQ. PER UNIT	MODEL	PROJECT NO.	ASS'Y. NO.
USED ON			

REQ. ITEM	PART NO.	DESCRIPTION	SYMBOL
THE TECHNICAL MATERIEL CORP. MAMARONECK, NEW YORK			
STOCK SIZE		SWITCH DETENT	
MATERIAL		POW/AMP.	
TYPE & TEMPER	HEAT TREAT. SPEC.	DRAWN	CHECKED
FINISH & SPEC. NO.		ELEC. DES. APP.	MECH. DES. APP.
		<i>[Signature]</i>	<i>[Signature]</i>
		SW-180	A

SW-180 A

THE TECHNICAL MATERIEL CORPORATION
MAMARONECK, NEW YORK

8-32 STUDS
(BOTH ENDS)



DETENT WHEEL
AVAILABLE IN 30° 60° 90°

TWO STOP SCREWS TO BE
FURNISHED BY MFG.

DETENT HUB TO HAVE TWO 8-32
TAPPED HOLES FOR SET SCREWS

TYPE DESIGNATION TO BE IN FOLLOWING FORM

SW-180-B-2.875

TYPE NUMBER DETENT WHEEL STYLE "L" SHAFT LENGTH IN INCHES

- A- 30° DETENT WHEEL
- B- 60° " "
- C- 90° " "

A	1	Physical Change	8-11-60	2749	J.C.B.	<i>[Signature]</i>	<i>[Signature]</i>
ISSUE	ITEM	CHANGED FROM	DATE	CH. NO.	DRAFTS	CHECKER	ENG. APP.
TOLERANCES			SCALE: S401-113 (MODEL 86)				
DEC. DIM. ±			MAXIMUM ALLOWABLE TOLERANCES HAVE BEEN DETERMINED AND ANY DEVIATIONS WILL BE CAUSE FOR REJECTION.				
FRAC. DIM. ±			REMOVE ALL BURRS AND SHARP EDGES				
ANGULAR DIM. ±							

1	RTF	A-1273	2-6-56
REQ. PER UNIT	MODEL	PROJECT NO.	ASS'Y. NO.
USED ON			

REQ. ITEM	PART NO.	DESCRIPTION	SYMBOL
THE TECHNICAL MATERIEL CORP. MAMARONECK, NEW YORK			
STOCK SIZE			
SWITCH DETENT			
MATERIAL			
POW/AMP.			
	CDD 2/6/56	<i>[Signature]</i>	<i>[Signature]</i>
TYPE & TEMPER	HEAT TREAT. SPEC.	DRAWN	CHECKED
		<i>[Signature]</i>	<i>[Signature]</i>
FINISH & SPEC. NO.		ELEC. DES. APP.	MECH. DES. APP.
			SW-180 A