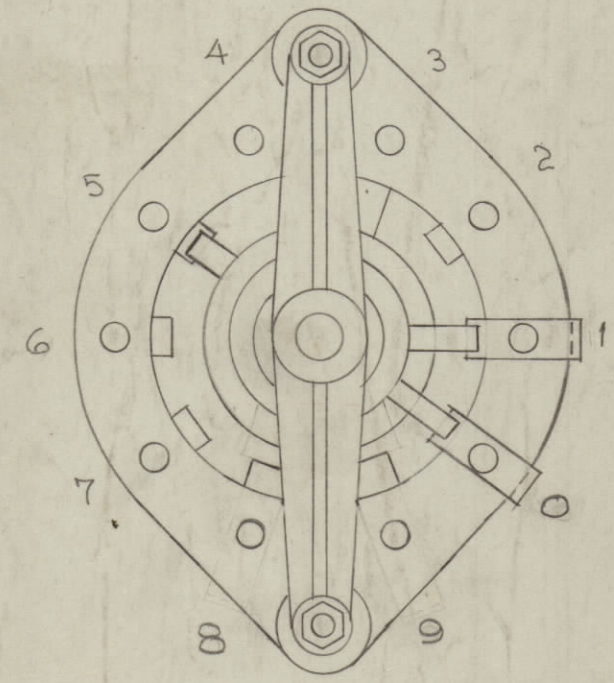
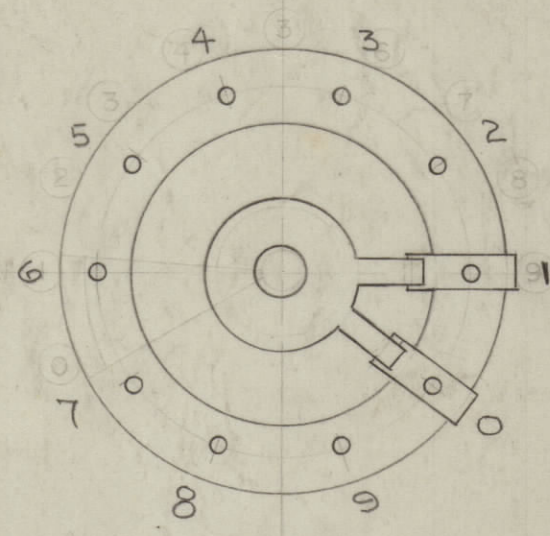


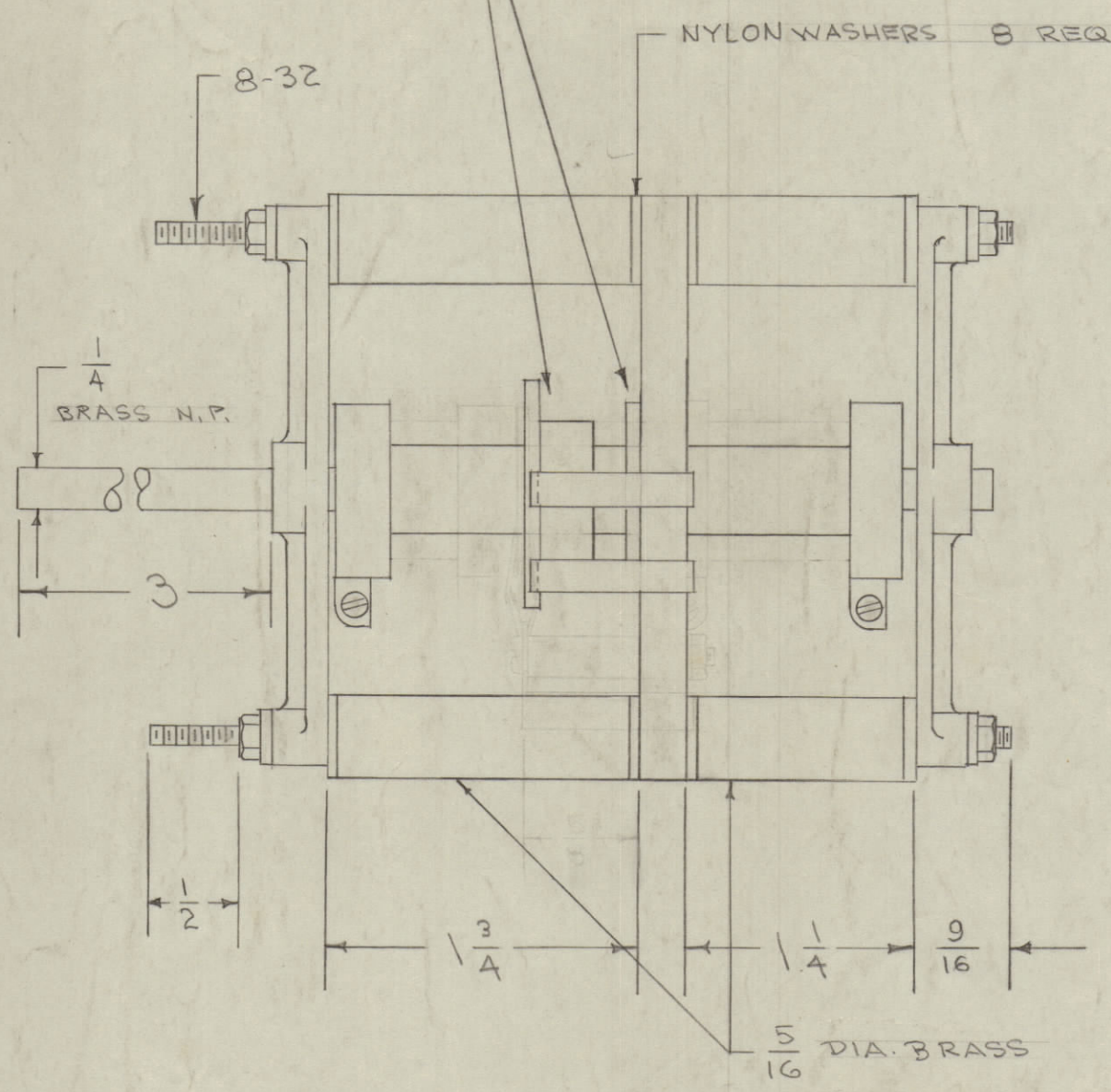
IF IT IS FOUND DESIRABLE TO CHANGE ANY TOLERANCE OR OTHER DETAIL SPECIFIED ON THIS DRAWING NOTIFY THE PURCHASER PROMPTLY.
 MAXIMUM ALLOWABLE TOLERANCES HAVE BEEN DETERMINED AND DEVIATIONS WILL BE CAUSE FOR REJECTION. REMOVE ALL BURRS AND SHARP EDGES

DETAIL - LUG POSITIONS

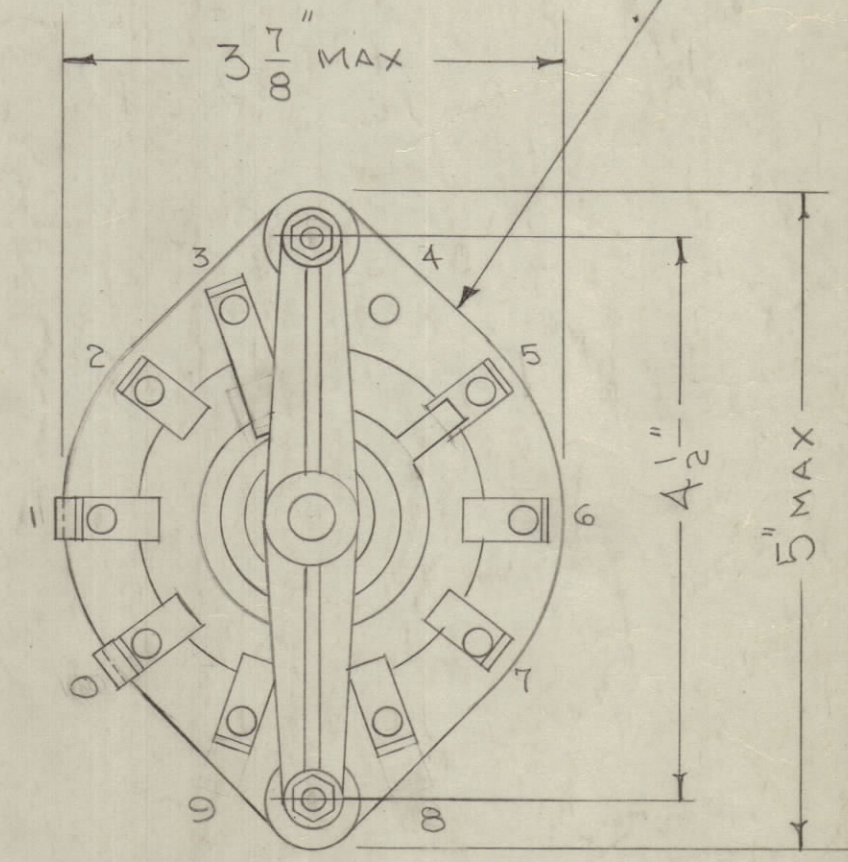
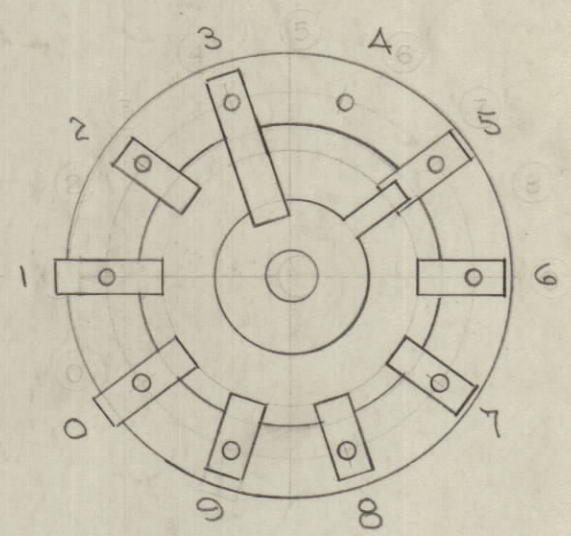


FRONT ROTOR STYLE "R" MODIFIED

THESE TWO ROTORS MUST HAVE ELECTRICAL CONNECTION



DETAIL - LUG POSITIONS

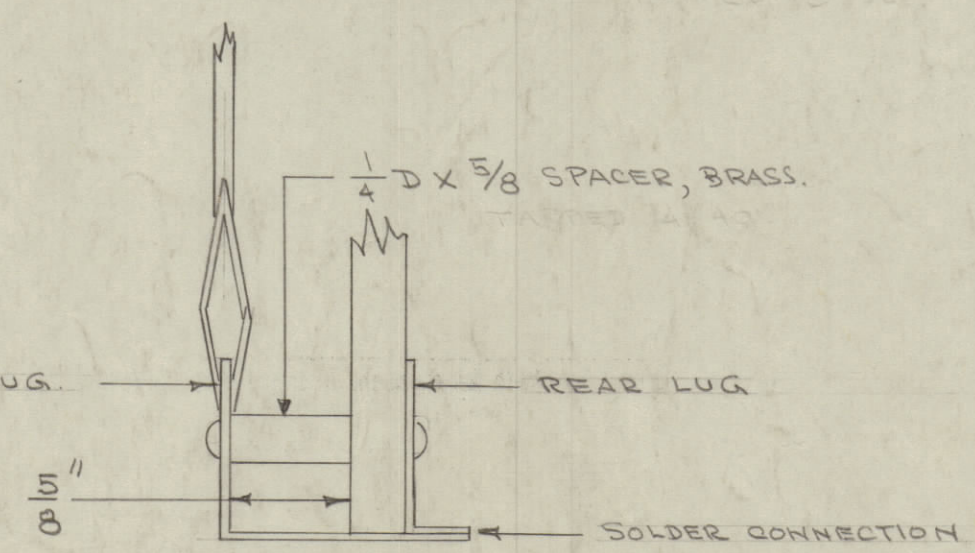


REAR ROTOR STYLE "A"

POS. 4 - NO LUG FOR SPARE PARTS ONLY

TMC NO.	DESIGNATION
SW-166-1	WAFER SECTION
SW-166-2	ROTOR SECTION

9 POSITIONS
 30 AMP. MAX. CURRENT CARRYING CAPACITY
 13,000 V. PEAK MINIMUM FLASHOVER AT 60 CPS



LUG DETAIL TERMS. 1 & 10

C	1	Nylon Washers Wore fiber Washers	8-11-60	Z749	J.C.B.		
B	1	TMC NO. & DESIGNATION ADDED	7-30-57	2	EC.		
A	1	STAMPING ADDED	5/2/56	1	JAL		
ISSUE ITEM	CHANGED FROM	DATE	CN. NO.	DRAFTS	CHECKER	ENG. APP.	
TOLERANCES		SCALE: 5401-113 (MODEL 88)					
ALL OTHERS	DEC. DIM. ± FRAC. DIM. ± ANGULAR DIM. ±	DRILL, PUNCH, COMMERCIAL STOCK SIZES AND MANUFACTURERS TOLERANCES ARE NOT INCLUDED.					

1	RTF-2	P/A		11-20-58
1	RTF			6-13-55
REQ PER UNIT	MODEL	PROJECT NO.	ASSY. NO.	DATE
USED ON				

REQ.	ITEM	PART NO.	DESCRIPTION	SYMBOL
THE TECHNICAL MATERIEL CORP. MAMARONECK, NEW YORK				
STOCK SIZE			SWITCH, ANT. LOAD	
MATERIAL		WEIGHT PER PC.	POW/AMP GPT	
TYPE & TEMPER		CD-6-13-55	J.I.P.	WJ
HEAT TREAT. SPEC.		CHECKED	FINAL APPROVAL	
FINISH & SPEC. NO.		SW-166 C		