

IF IT IS FOUND DESIRABLE TO CHANGE ANY TOLERANCE OR OTHER DETAIL SPECIFIED ON THIS DRAWING NOTIFY THE PURCHASER PROMPTLY.

SW-142

MAXIMUM ALLOWABLE TOLERANCES HAVE BEEN DETERMINED AND DEVIATIONS WILL BE CAUSE FOR REJECTION. REMOVE ALL BURRS AND SHARP EDGES

USED ON

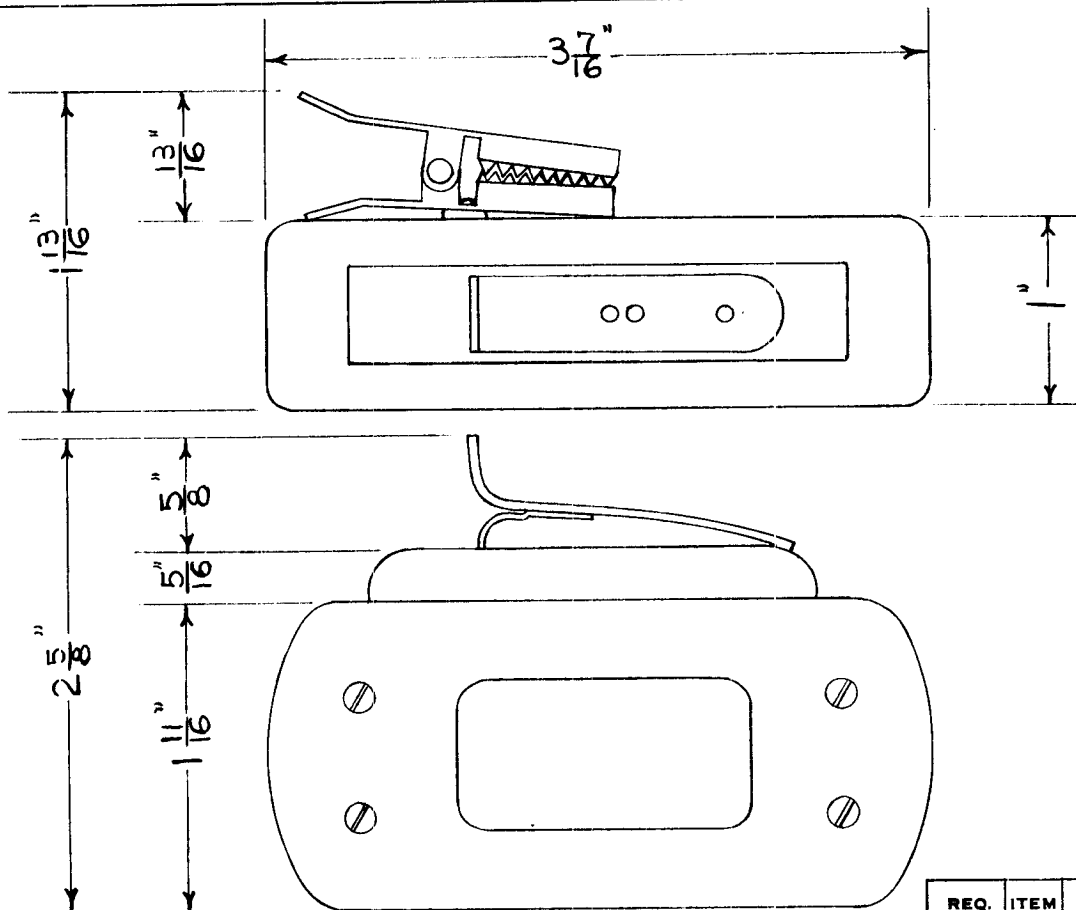
MODEL

PROJECT NO.

ASS'Y. NO.

DATE

31/5/55



NOTICE TO PERSONS RECEIVING THIS DRAWING

THE TECHNICAL MATERIEL CORPORATION claims proprietary right in the material disclosed hereon. This drawing is issued in confidence for engineering information only and may not be reproduced or used to manufacture anything shown hereon without permission from THE TECHNICAL MATERIEL CORPORATION to the user. This drawing is loaned for mutual assistance and is subject to recall at any time.

Property of:

THE TECHNICAL MATERIEL CORPORATION
MAMARONECK, NEW YORK

DIMENSIONS FOR REF. ONLY

REQ.	ITEM	PART NO.	DESCRIPTION	SYMBOL
			TMC (Canada) LIMITED	
			OTTAWA ONTARIO	
			SWITCH, MOMENTARY CONTACT	
			WITH LOCK	
			<i>E. Champ</i>	
			DRAWN	
			ELEC. DES. APP.	MECH. DES. APP.
			CHECKED	FINAL APPROVAL
				SW-142

ISSUE	ITEM	CHANGED FROM	DATE	CN. NO.	DRAFTS	CHECKER	ENG. APP.

TOLERANCES

SCALE FULL

DRILL, PUNCH, COMMERCIAL STOCK SIZES AND MANUFACTURERS TOLERANCES ARE NOT INCLUDED.

ALL OTHERS
DEC. DIM. ±
FRAC. DIM. ±
ANGULAR DIM. ±

FINISH & SPEC. NO.

IF IT IS FOUND DESIRABLE TO CHANGE ANY TOLERANCE OR OTHER DETAIL SPECIFIED ON THIS DRAWING NOTIFY THE PURCHASER PROMPTLY.

SW-142

MAXIMUM ALLOWABLE TOLERANCES HAVE BEEN DETERMINED AND DEVIATIONS WILL BE CAUSE FOR REJECTION. REMOVE ALL BURRS AND SHARP EDGES

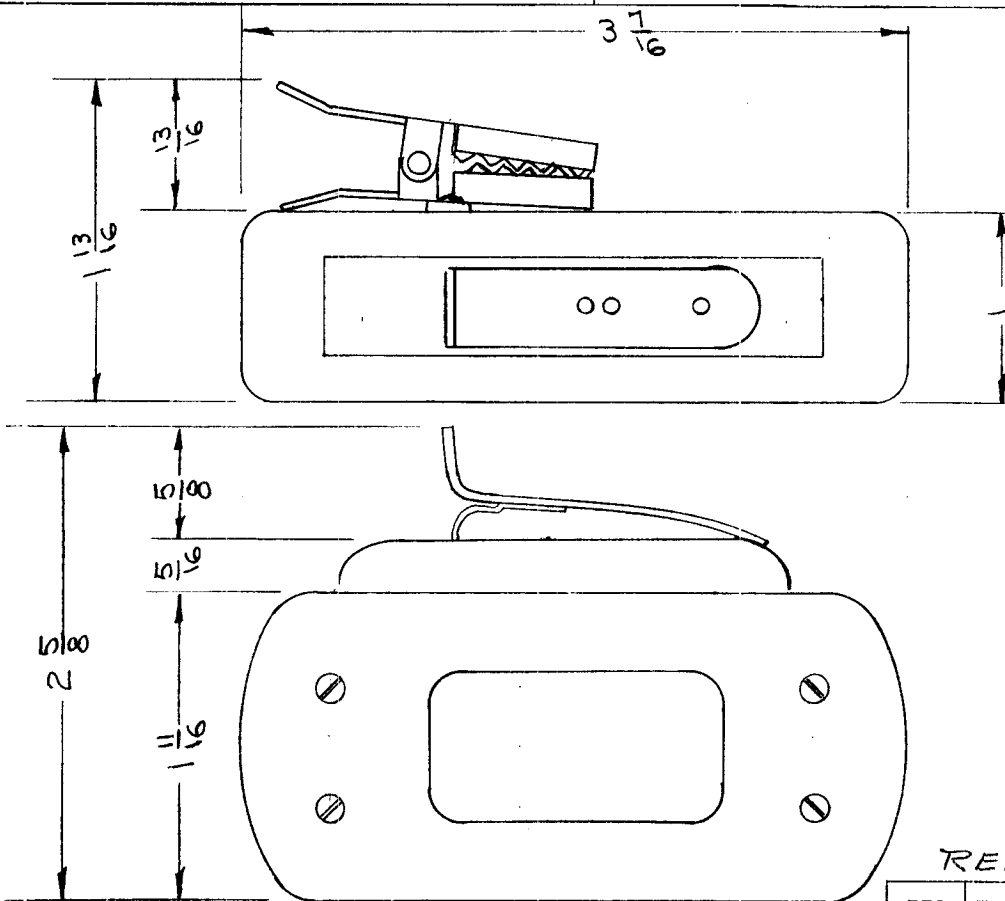
USED ON

MODEL

PROJECT NO.

ASS'Y. NO.

DATE



DIMENSIONS FOR REF. ONLY

REF: ROANWELL 9992

REQ.	ITEM	PART NO.	DESCRIPTION	SYMBOL
			THE TECHNICAL MATERIEL CORP.	
			MAMARONECK. NEW YORK	
STOCK SIZE			SWITCH MOMENTARY CONTACT WITH LOCK	
MATERIAL		WEIGHT PER PC.		
TYPE & TEMPER				
HEAT TREAT. SPEC.				
FINISH & SPEC. NO.				

ISSUE	ITEM	CHANGED FROM	DATE	CN. NO.	DRAFTS	CHECKER	ENG. APP.
-------	------	--------------	------	---------	--------	---------	-----------

TOLERANCES

SCALE FULL

ALL OTHERS

DEC. DIM. ±
FRAC. DIM. ±
ANGULAR DIM. ±

DRILL, PUNCH, COMMERCIAL STOCK SIZES AND MANUFACTURERS TOLERANCES ARE NOT INCLUDED.

JAW
DRAWN
ELEC. DES. APP.
MECH. DES. APP.
CHECKED
FINAL APPROVAL

SW-142