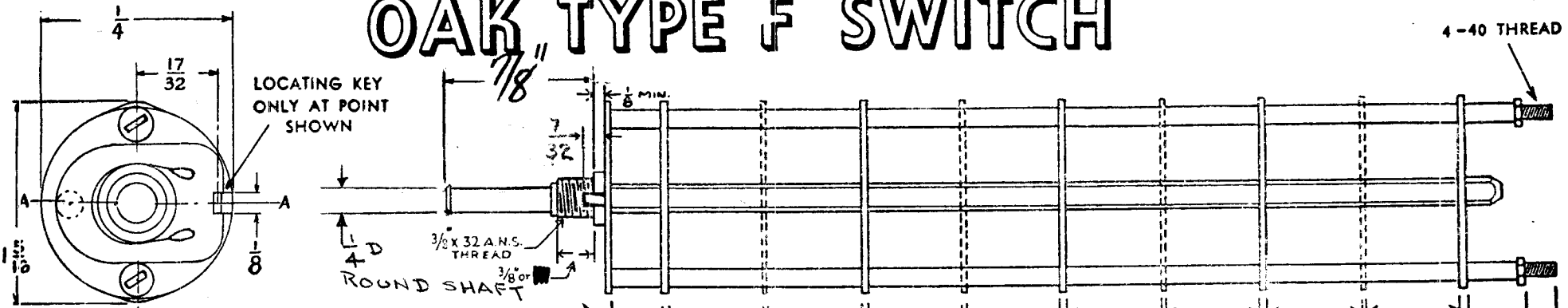


CUSTOMER'S PART NO. SW-119

OAK TYPE F SWITCH

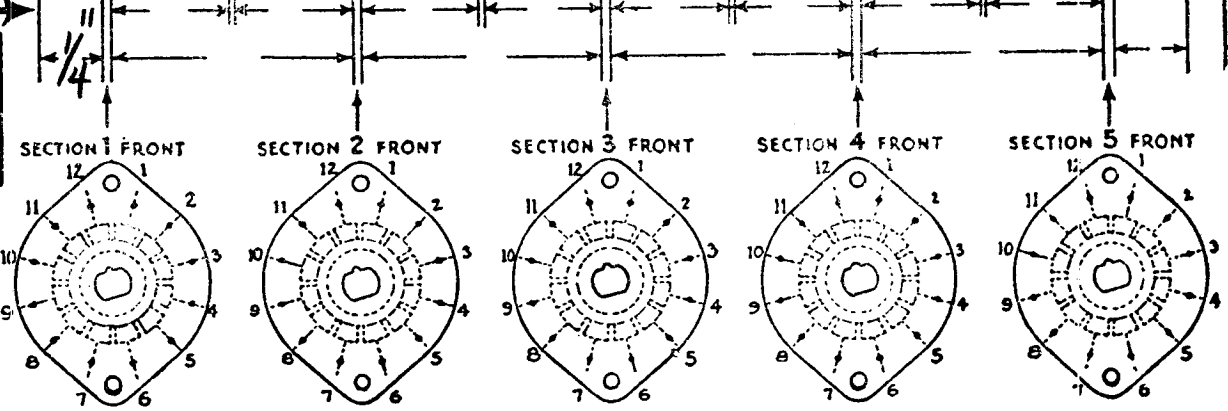
SW-119
4-40 THREAD



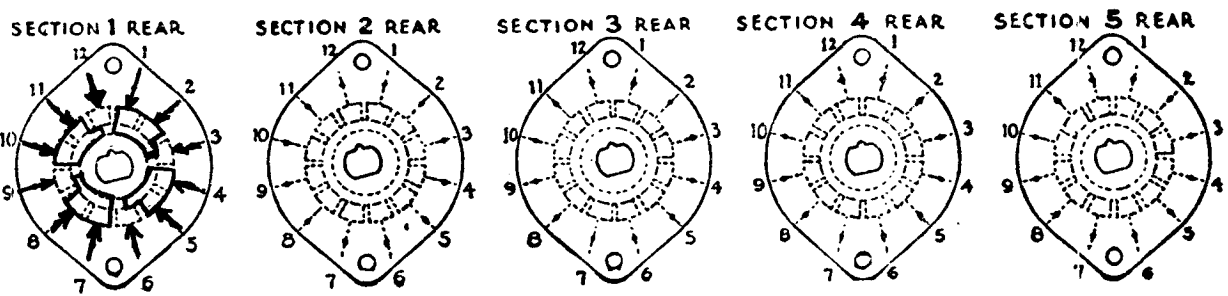
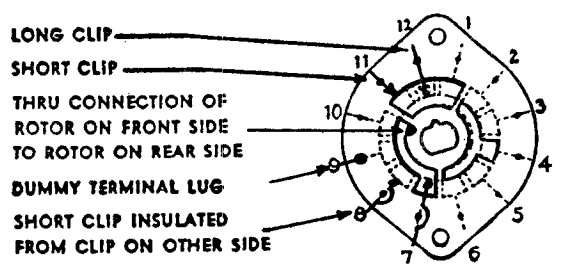
SHOW CUT AWAY PORTION OF FLAT IN BLACK AND GIVE ANGLE TO LINE A-A. $\pm 3^\circ$ STANDARD RMA KNURLED AND SLOTTED SHAFT ALSO AVAILABLE

FRONT AND REAR OF SECTIONS VIEWED FROM FRONT OR KNOB END OF SWITCH IN EXTREME COUNTER-CLOCKWISE POSITION

NUMBER OF SECTIONS $\frac{1}{2}$
 NUMBER OF POSITIONS $\frac{2}{2}$
 ANGLE OF THROW 30° (30° OR 60°)



SYMBOLS USED IN MARKING PRINT



OUTLINE ROTOR BLADES AS SHOWN ABOVE WITH SWITCH IN EXTREME COUNTER-CLOCKWISE POSITION

SPECIFICATIONS

SHORTIN TYPE CONTACTS NON-SHORTING IF NOT SPECIFIED SHORTING TYPE WILL BE SUPPLIED.
 INSULATION: $\frac{1}{16}$ " BAKELITE $\frac{1}{8}$ " MYCALEX SPECIFY IMPREGNATION IF REQUIRED.
 FINISH REQUIREMENTS: COMMERCIAL ; ARMY ; NAVY ; SALT TEST (IF ANY GIVE DETAILS) 200 hour
 CONTACTS AND ROTORS: SILVER PLATED BRASS ; SOLID SILVER ALLOY ; IF NOT SPECIFIED SILVER PLATED BRASS WILL BE SUPPLIED.
 MOUNTING HARDWARE: SUPPLY 1 $\frac{3}{8}$ " - 32 NUTS $\frac{1}{2}$ " ACROSS FLATS; MATERIAL BR PLATING U.P.
1 $\frac{3}{8}$ " INTERNAL TOOTH LOCKWASHER; MATERIAL P.B PLATING N.P.
 STAMP PART NUMBER SW-119 ON FRONT PLATE, YES NO

CUSTOMER NOTES

S1, DCU
 4P/2POS/1SECT

Supernation AES025
 2-12-53

SW-119

DATE 8/1/51

CUSTOMER
 OAK MANUFACTURING CO.
 1260 CLYBORN AVE., CHICAGO 10, ILL.