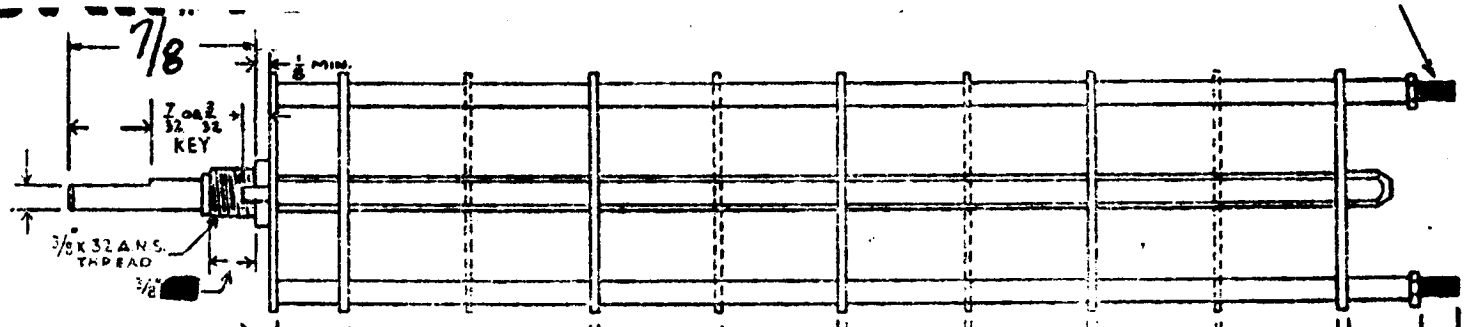


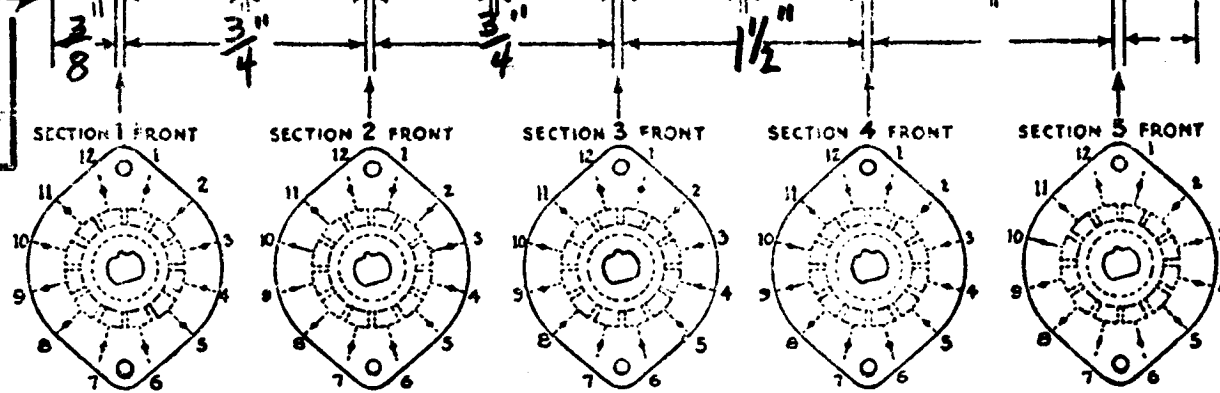
LOCATING KEY  
ONLY AT POINT  
SHOWN

SHOW CUT AWAY PORTION  
OF FLAT IN BLACK AND GIVE  
ANGLE TO LINE A-A.  $\pm 3^\circ$   
STANDARD RMA KNURLED AND  
SLOTTED SHAFT ALSO AVAILABLE

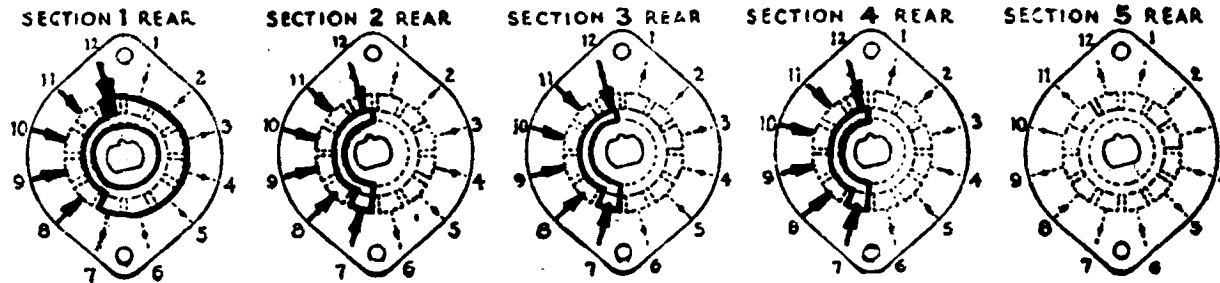
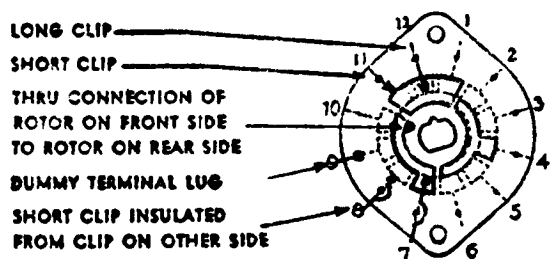


FRONT AND REAR  
OF SECTIONS VIEWED  
FROM FRONT OR  
KNOB END OF SWITCH  
IN EXTREME COUNTER-  
CLOCKWISE POSITION

NUMBER OF SECTIONS  $\frac{4}{5}$   
NUMBER OF POSITIONS  $\frac{5}{5}$   
ANGLE OF THROW  $30^\circ$  (30° OR 60°)



**SYMBOLS USED IN MARKING PRINT**



OUTLINE ROTOR BLADES AS SHOWN ABOVE WITH  
SWITCH IN EXTREME COUNTER-CLOCKWISE POSITION

S202 VOX

**SPECIFICATIONS**

SHORTIN TYPE CONTACTS  NON-SHORTING  IF NOT SPECIFIED SHORTING TYPE WILL BE SUPPLIED.  
INSULATION:  $\frac{1}{2}$  BAKELITE   $\frac{1}{2}$  MYCALEX  SPECIFY IMPREGNATION IF REQUIRED

FINISH REQUIREMENTS: COMMERCIAL ; ARMY ; NAVY ; SALT TEST (IF ANY GIVE DETAILS) 200 HR

CONTACTS AND ROTORS: SILVER PLATED BRASS ; SOLID SILVER ALLOY ; IF NOT SPECIFIED SILVER  
PLATED BRASS WILL BE SUPPLIED.

MOUNTIN HARDWARE: SUPPLY  $\frac{1}{8}$ " - 32 NUTS  $\frac{5}{16}$ " ACROSS FLATS; MATERIAL BR PLATING N.P.  
 $\frac{1}{8}$ " INTERNAL TOOTH LOCKWASHER; MATERIAL BR PLATING UP

STAMP PART NUMBER SW-108 ON FRONT PLATE, YES  NO

**CUSTOMER NOTES**

SECTION #1 - SHORTING, PHENOLIC-OAK 51198-F  
SECTION #2 - NON SHORTING, PHENOLIC-  
SECTION #3 - " " MYCALEX-  
SECTION #4 - " " " -OAK 51197-FX

SW-108

SUPERCEDES 2  
AES039

DATE 3/7/52