

IF IT IS FOUND DESIRABLE TO CHANGE ANY TOLERANCE OR OTHER DETAIL SPECIFIED ON THIS DRAWING NOTIFY THE PURCHASER PROMPTLY.

RELEASED

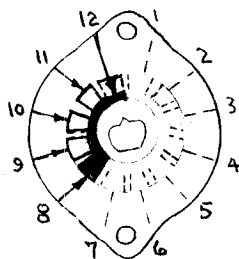
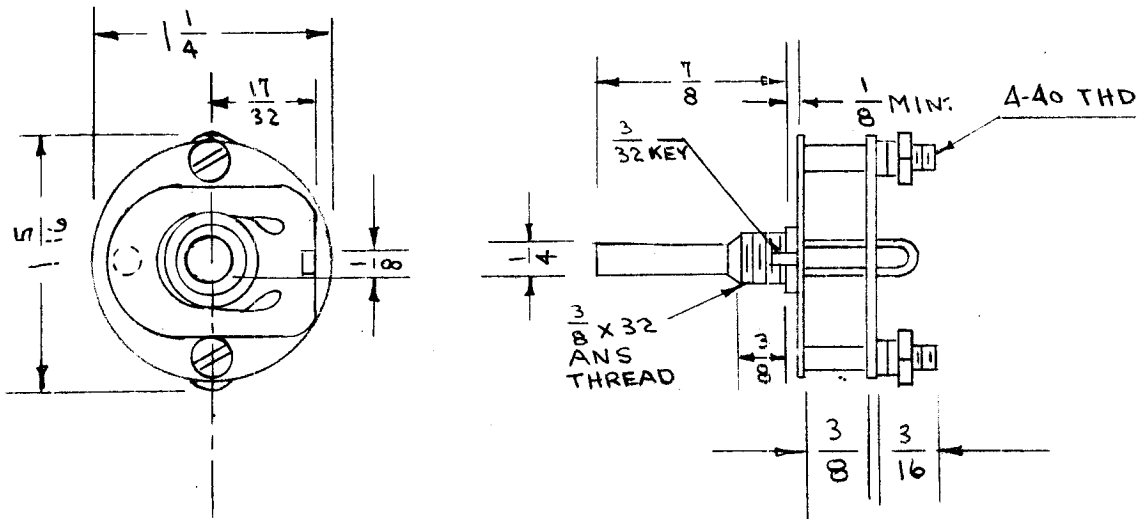
SW-105

A

MAXIMUM ALLOWABLE TOLERANCES HAVE BEEN DETERMINED AND DEVIATIONS WILL BE CAUSE FOR REJECTION. REMOVE ALL BURRS AND SHARP EDGES

USED ON

MODEL	PROJECT NO.	ASS'Y. NO.	DATE
LFA	143	A-182	9-25-54
RSF-2			5-12-55
VOX-1, 2			5-12-55



VIEWED FROM FRONT (KNOB END) OF SWITCH IN EXTREME COUNTER-CLOCKWISE POSITION

NO. OF SECTIONS 1
 NO. OF POSITIONS 4
 ANGLE OF THROW 30°
 SHAFT - ROUND
 NON SHORTING CONTACTS.
 INSULATION - MYCALEX 1/8" #410
 CONTACT & ROTOR - SILVER PLATED
 BRASS

MUST PASS 50 HR. SALT SPRAY TEST
 STAMP SW-105 ON FRONT PLATE
 METAL PARTS EXCEPT TERMINALS & CONTACTS SHALL BE CADMIUM PLATED AND CHROMATE DIPPED.

REQ.	ITEM	PART NO.	DESCRIPTION	SYMBOL
			THE TECHNICAL MATERIEL CORP. MAMARONECK, NEW YORK	
			STOCK SIZE	
			MATERIAL	WEIGHT PER PC.
			TYPE & TEMPER	
			HEAT TREAT. SPEC.	
			FINISH & SPEC. NO.	
			C.D.D. 9-25-54	A. J. J. 10-8-54
			DRAWN	ELEC. DES. APP. MECH. DES. APP.
			CHECKED	FINAL APPROVAL
				SW-105 A

USED ON	RSF-2-VOX-1,2 APP 5-12-55	1	P.B.	COS	WOL		
ISSUE	ITEM	CHANGED FROM	DATE	CN. NO.	DRAFTS	CHECKER	ENG. APP.

TOLERANCES		SCALE	S-401-13 (F)
ALL OTHERS	DEC. DIM. ± FRAC. DIM. ± 1/64 ANGULAR DIM. ±	DRILL, PUNCH, COMMERCIAL STOCK SIZES AND MANUFACTURERS TOLERANCES ARE NOT INCLUDED.	