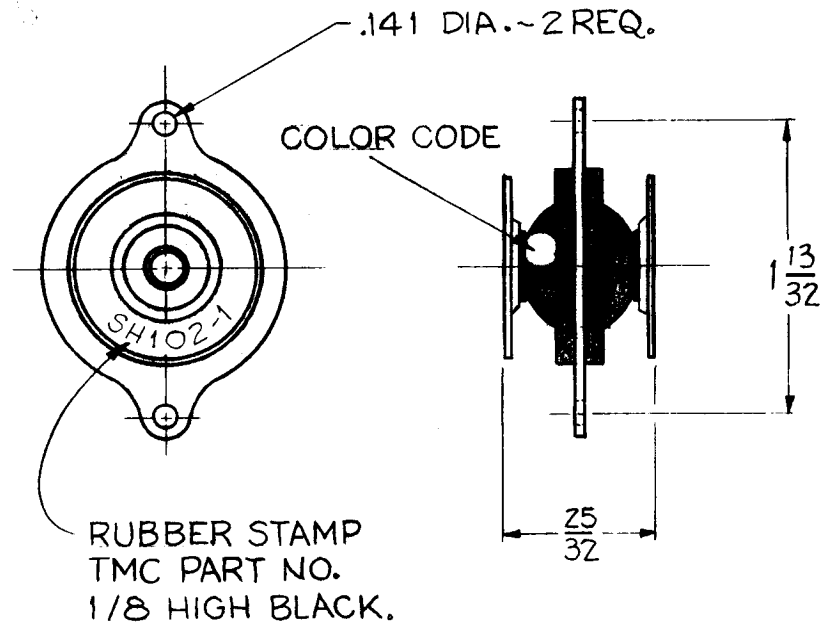


TMC PART NO.	BARRY PART NO.	LOAD(lbs)FOR NAT. FREQ OF 25-30CPS	MAXIMUM ALLOWABLE LOAD(lbs)	COLOR CODE
SH-102-1	6550-4	2	4	RED

REQ. PER. UNIT	USED ON			SH-102
	MODEL	ASS'Y. NO.	DATE	
			4-13-59	



NOTICE TO PERSONS RECEIVING THIS DRAWING

THE TECHNICAL MATERIEL CORPORATION claims proprietary right in the material disclosed herein. This drawing is issued in confidence for engineering information only and may not be re-produced or used to manufacture anything shown herein without permission from THE TECHNICAL MATERIEL CORPORATION to the user. This drawing is loaned for mutual assistance and is subject to recall at any time.

Property of:
THE TECHNICAL MATERIEL CORPORATION
MAMARONECK, NEW YORK

REF - THE BARRY CORP

REQ.	ITEM	PART NO.	DESCRIPTION				SYMBOL
			THE TECHNICAL MATERIEL CORP. MAMARONECK, NEW YORK				
			SHOCK ABSORBER				
			MATERIAL				
					J.C. BIELE	<i>JCB</i>	
					DRAWN	CHECKED	FINAL APPROVAL
						<i>KG</i>	SH-102
					FINISH & SPEC. NO.	ELEC. DES. APP	MECH. DES. APP