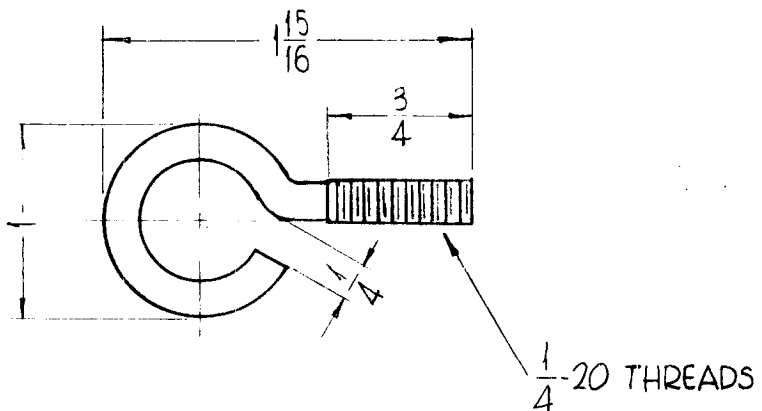


REQ. PER UNIT
4

USED ON
MODEL: GPT-200K
ASS'Y. NO.: A-2706
DATE: 4-6-64

SC-161 0



REQ.	ITEM	PART NO.	F. BUDETTI DESCRIPTION				SYMBOL
		ROD 1/4 DIA. STOCK SIZE	THE TECHNICAL MATERIEL CORP. MAMARONECK, NEW YORK				
		COLD-ROLLED STEEL	EYEBOLT				
		MATERIAL					
			SCALE	1"=1"			
			TYPE & TEMPER	HEAT TREAT. SPEC.	DRAWN	CHECKED	FINAL APPROVAL
		NICKEL PLATE					
		FINISH & SPEC. NO.	ELEC. DES. APP.	MECH. DES. APP.		SC-161	0
SYM	DESCRIPTION	DATE	CH. NO.	DRAFTS	CHECKER	ENG. APP.	
0	ORIGINAL RELEASE FOR PRODUCTION	5/2/64					
UNLESS OTHERWISE SPECIFIED DIMENSIONS ARE IN INCHES AND INCLUDE CHEMICALLY APPLIED OR PLATED FINISHES							
DECIMALS: .X ± .05 .XX ± .01 .XXX ± .005		FRACTIONS ± 1/64 ANGLES ± 0° 30'		TOLERANCES			