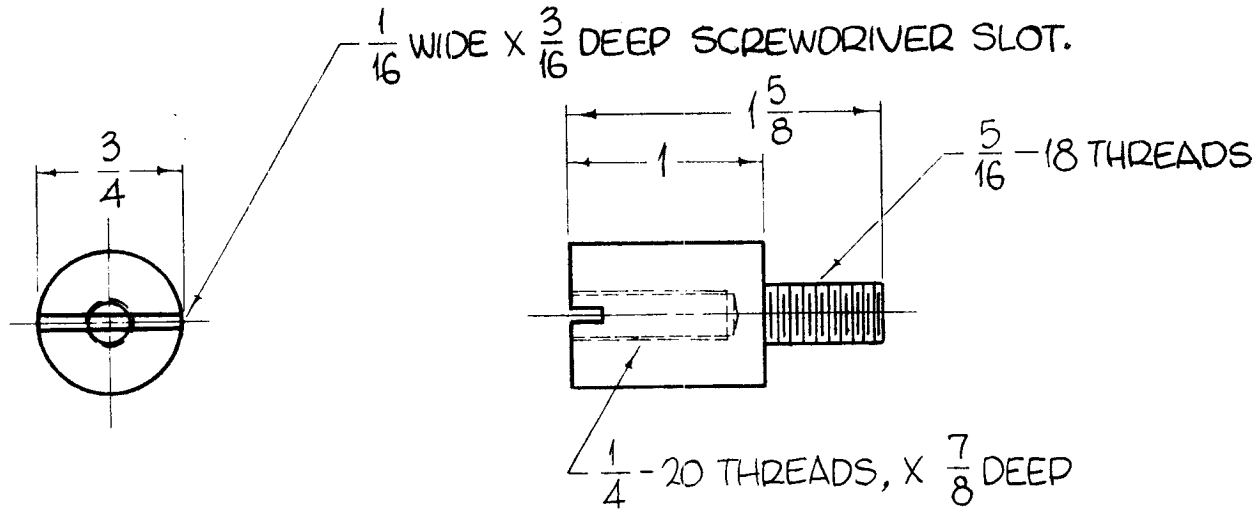


REQ. PER UNIT	USED ON			SC-158	0
	MODEL	ASS'Y. NO.	DATE		
10	GPT200K	AX-444	1-15-64		



NOTE - AFTER PLATING RETAP ALL THREADS.

							REQ. ITEM	PART NO.	F. BUDETTI	DESCRIPTION	SYMBOL	
								AS NOTED	THE TECHNICAL MATERIEL CORP. MAMARONECK. NEW YORK			
								STOCK SIZE	STANDOFF, THREADED			
0	ORIG. RELEASE FOR PROD.	5-16-64		SRG				STEEL				
SYM	DESCRIPTION	DATE	CH. NO.	DRAFTS	CHECKER	ENG. APP.	MATERIAL					
UNLESS OTHERWISE SPECIFIED DIMENSIONS ARE IN INCHES AND INCLUDE CHEMICALLY APPLIED OR PLATED FINISHES		SCALE		1 = 1					John C Biele	aa	RAC	
							TYPE & TEMPER	HEAT TREAT. SPEC.	DRAWN	CHECKED	FINAL APPROVAL	
DECIMALS .X ± .05 .XX ± .01 .XXX ± .005		FRACTIONS ± 1/64 ANGLES ± 0° 30'		CODE			CADMIUM PLATE		DOB	1/3/64	SC-158	0
TOLERANCES							FINISH & SPEC. NO.		ELEC. DES. APP.	MECH. DES. APP.		