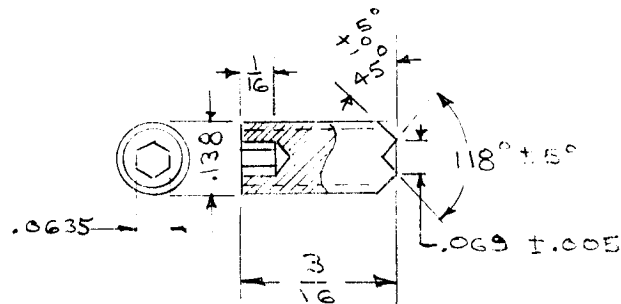


REQ. PER UNIT 3	USED ON			SC-140
	MODEL ATS-TO	ASS'Y. NO.	DATE	



G-32 THREADS NC2

								REQ. ITEM	PART NO.	DESCRIPTION	SYMBOL	
										THE TECHNICAL MATERIEL CORP. MAMARONECK, NEW YORK		
								STOCK SIZE		SCREW, HEADLESS SET		
								MATERIAL		HEX SOCKET HEAD		
ISSUE	ITEM	CHANGED FROM	DATE	CH. NO.	DRAFTS	CHECKER	ENG. APP.					
TOLERANCES			SCALE:									
DEC. DIM. ±			MAXIMUM ALLOWABLE TOLERANCES HAVE BEEN DETERMINED AND ANY DEVIATIONS WILL BE CAUSE FOR REJECTION. REMOVE ALL BURRS AND SHARP EDGES					TYPE & TEMPER	HEAT TREAT. SPEC.	DRAWN	CHECKED	FINAL APPROVAL
FRAC. DIM. ±												
ANGULAR DIM. ±								FINISH & SPEC. NO.	ELEC. DES. APP.	MECH. DES. APP.	SC-140	