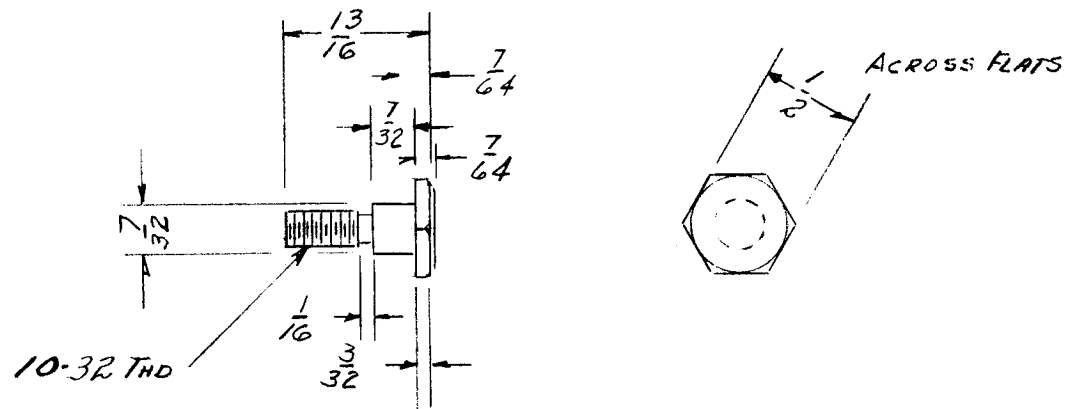


REQ. PER UNIT	USED ON			SC-138
	MODEL	ASS'Y. NO.	DATE	
1	SWR-3000 PH	A-1553	6/5/58	



NOTE:
TO BE SUPPLIED WITH HA-110

REF TO FORSHAY SALES

ISSUE	ITEM	CHANGED FROM	DATE	CH. NO.	DRAFTS	CHECKER	ENG. APP.	REQ. ITEM	PART NO.	DESCRIPTION	SYMBOL
								CTO		THE TECHNICAL MATERIEL CORP. MAMARONECK. NEW YORK	
									STOCK SIZE	SCREW, HEX HEAD SPEC.	
									STEEL		
									MATERIAL		
								CTO	CTO	6/5/58 iuc	JLO
									TYPE & TEMPER	CHECKED	FINAL APPROVAL
									HEAT TREAT. SPEC.	JLO	SC-138
									FINISH & SPEC. NO.	ELEC. DES. APP.	MECH. DES. APP.

DEC. DIM. ±
FRAC. DIM. ± 1/64
ANGULAR DIM. ±

SCALE: CTO
MAXIMUM ALLOWABLE TOLERANCES HAVE BEEN DETERMINED AND ANY DEVIATIONS WILL BE CAUSE FOR REJECTION.
REMOVE ALL BURRS AND SHARP EDGES