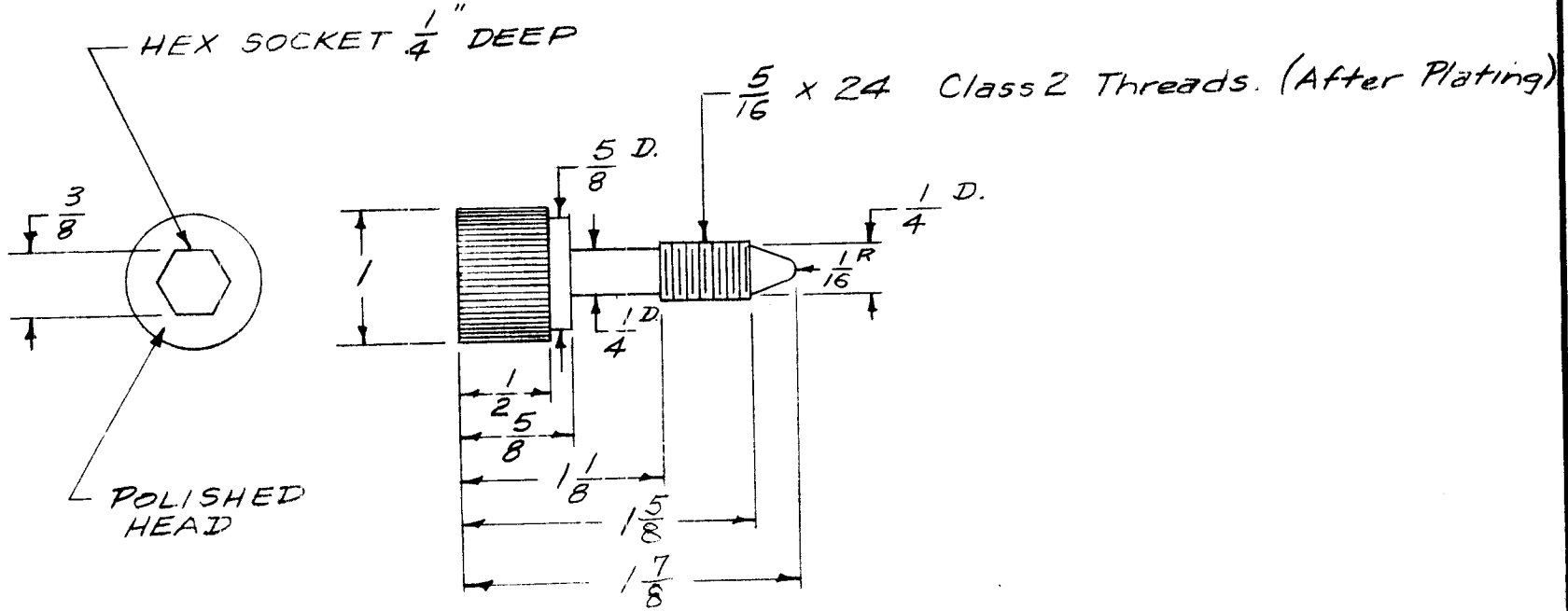


REQ. PER UNIT	USED ON		
	MODEL	ASS'Y. NO.	DATE
6	GPT-750		10-10-57

SC-137



Ref - Mates with NT-124

							REQ. ITEM	PART NO.	DESCRIPTION	SYMBOL
									THE TECHNICAL MATERIEL CORP. MAMARONECK, NEW YORK	
							STOCK SIZE		THUMBSCREW	
							STEEL			
							MATERIAL			
ISSUE	ITEM	CHANGED FROM	DATE	CH. NO.	DRAFTS	CHECKER	ENG. APP.	COLD ROLLED	16 10/10/57	Final Approval
TOLERANCES			SCALE: FULL		1-1178			DRAWN	CHECKED	FINAL APPROVAL
DEC. DIM. ±			MAXIMUM ALLOWABLE TOLERANCES HAVE BEEN DETERMINED AND ANY DEVIATIONS WILL BE CAUSE FOR REJECTION. REMOVE ALL BURRS AND SHARP EDGES							
FRAC. DIM. ± 1/64										
ANGULAR DIM. ±							5245 Nickel Plate, Bright		SC-137	
							FINISH & SPEC. NO.		ELEC. DES. APP. MECH. DES. APP.	