

THE CONTENTS OF THIS DRAWING ARE THE EXCLUSIVE PROPERTY OF THE TECHNICAL MATERIEL CORP. ITS UNAUTHORIZED USE OR REPRODUCTION IN WHOLE OR IN PART IS STRICTLY FORBIDDEN.

REQ. PER UNIT

MODEL

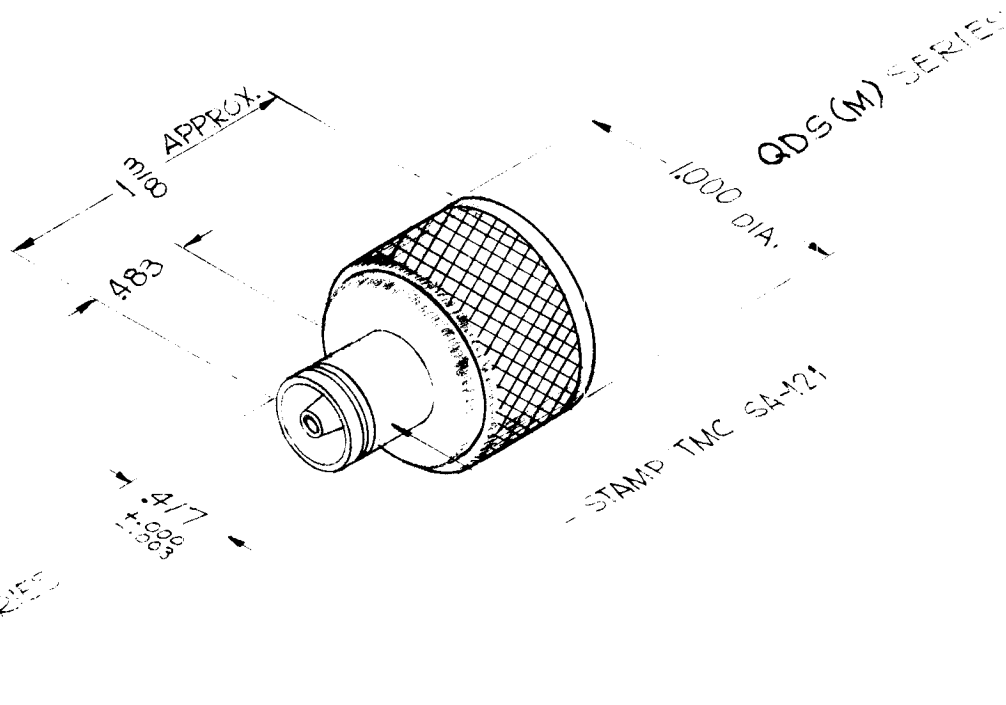
USED ON

ASS'Y. NO.

DATE

9-4-62

SA-121



SPECIFICATIONS:

SERIES ~ QDS(M) TO QDM(F).  
 NO OF CONTACTS ~ 1 ONE EACH END.  
 TYPE OF CONTACTS ~ QDS(M) & QDM(F).  
 DIELECTRIC ~ TEFLON.

ELECTRICAL DATA

MAX. PEAK OPR. VOLT ~  
 FREQ. LIMIT ~  
 NOMINAL IMPEDANCE ~

MATING ACCOMODATIONS

TYPE ~ QDM

MATERIAL

EXTERNAL PARTS ~ BRASS  
 CONTACT ~ BERYLLIUM COPPER  
 GASKET ~  
 BODY ~ BRASS  
FINISH  
 EXTERNAL PARTS ~ SILVER PLATE & RHODIUM FLASH  
 CONTACTS ~ SILVER PLATE & GOLD FLASH  
 BODY ~ SILVER PLATE & RHODIUM FLASH

							REQ.	ITEM	PART NO.	MARTINENGO DESCRIPTION	SYMBOL	
										THE TECHNICAL MATERIEL CORP.		
										MAMARONECK, NEW YORK		
										ADAPTED CONNECTOR RE.		
										QDS(M) TO QDM(F)		
SYM	DESCRIPTION	DATE	CH. NO.	DRAFTS	CHECKER	ENG. APP.	MATERIAL					
UNLESS OTHERWISE SPECIFIED: DIMENSIONS ARE IN INCHES TOLERANCES ON FRAC. ± 1/64 DEC. ± .005 ANGLES ± 1/2°		SCALE: S401-70(2624)							SLG	J De	BP	
MAXIMUM ALLOWABLE TOLERANCES HAVE BEEN DETERMINED AND ANY DEVIATIONS WILL BE CAUSE FOR REJECTION. REMOVE ALL BURRS AND SHARP EDGES							TYPE & TEMPER	HEATTREAT. SPEC.	DRAWN	CHECKED	FINAL APPROVAL	
										SA-121		
							FINISH & SPEC. NO.		ELEC. DES. APP.	MECH. DES. APP.		