

SA-119

THE CONTENTS OF THIS DRAWING ARE THE EXCLUSIVE PROPERTY OF THE TECHNICAL MATERIEL CORP. ITS UNAUTHORIZED USE OR REPRODUCTION IN WHOLE OR IN PART IS STRICTLY FORBIDDEN.

SPECIFICATIONS

SERIES ~ LC TO N
 No. OF CONTACTS ~ 1 EACH END
 TYPE OF CONTACTS ~ FEMALE
 DIELECTRIC ~ TEFLON
ELECTRICAL DATA
 MAX. PEAK VOLTAGE ~ 1500 VOLTS
 FREQ. LIMIT ~ 10,000 MCS
 NOM. IMPEDANCE ~ 50 Ω

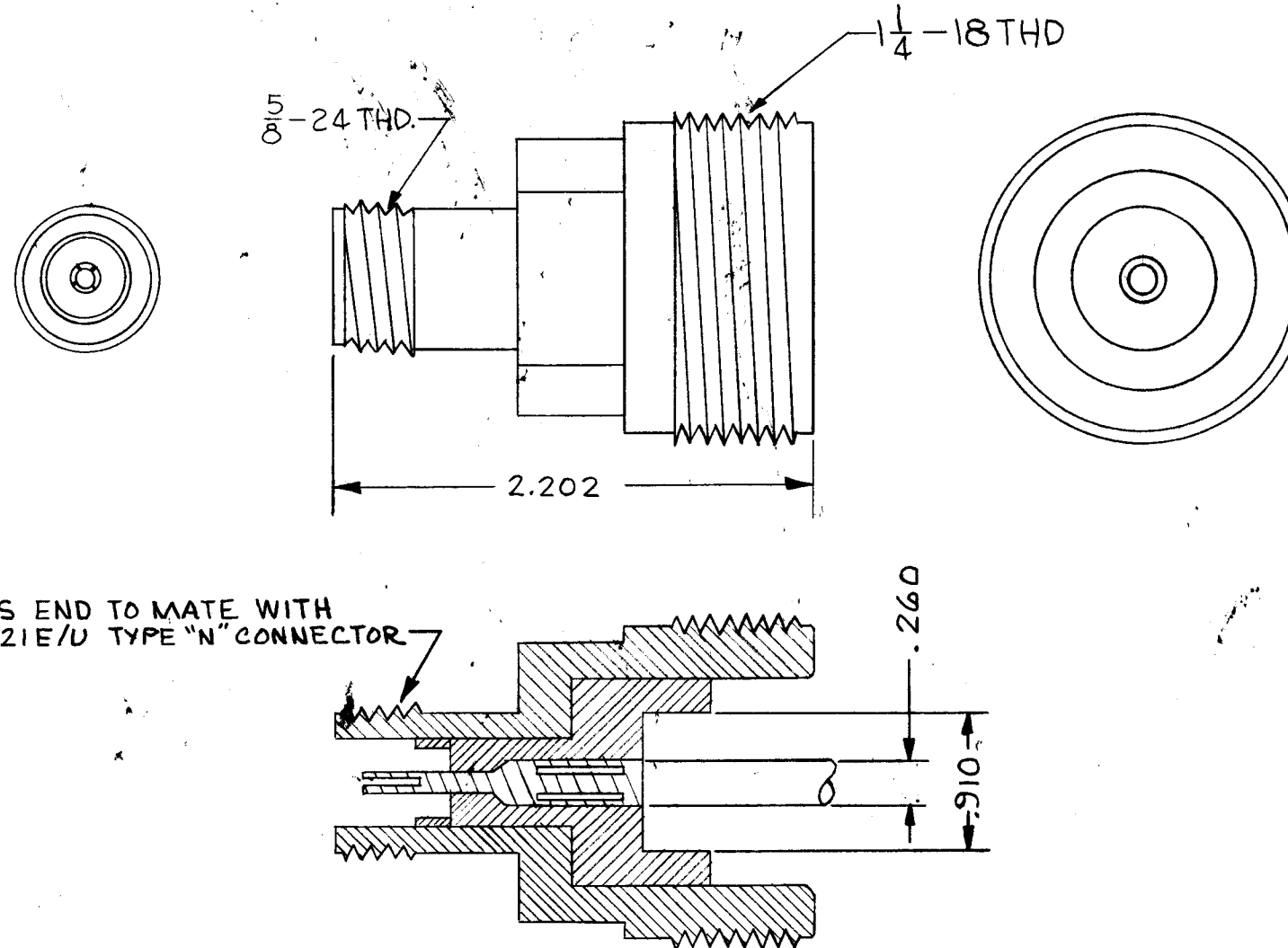
MATERIAL

EXTERNAL PARTS ~ BRASS
 CONTACTS ~ BERYLLIUM COPPER
FINISH
 EXT. PARTS ~ SILVER PLATE
 CONTACTS ~ SILVER PLATE

NOTE:

EQUIVALENT MIL CONNECTOR
 UG270*/U. DIELECTRIC IS
 POLYETHYLENE

THIS END TO MATE WITH
 UG-21E/U TYPE "N" CONNECTOR



A	THD WAS 1-3/4-16. CABLE ACCOM. DELE. NOTE ADDED	12.6.66	17390	WHD	QC/AS	ENG. APP.
SYM	DESCRIPTION	DATE	CH. NO.	DRAFTS	CHECKER	ENG. APP.

UNLESS OTHERWISE SPECIFIED:
 DIMENSIONS ARE IN INCHES
 TOLERANCES ON
 FRACTIONS ± 1/64 DECIMALS ± .005 ANGLES ± 1/2°

SCALE: S-401-70-(2485)
 MAXIMUM ALLOWABLE TOLERANCES HAVE BEEN DETERMINED AND ANY DEVIATIONS WILL BE CAUSE FOR REJECTION.
 REMOVE ALL BURRS AND SHARP EDGES

REQ. PER UNIT	MODEL	SECTION	ASS'Y. NO.	DATE
				11/26/62
USED ON				

REQ. ITEM	PART NO.	MARTENGO DESCRIPTION	SYMBOL
		THE TECHNICAL MATERIEL CORP., MAMARONECK, NEW YORK	
SEE NOTE		ADAPTOR, CONNECTOR	
MATERIAL			
		EG	
TYPE & TEMPER	HEAT TREAT. SPEC.	DRAWN	CHECKED
SEE NOTE			
FINISH & SPEC. NO.		ELEC. DES. APP.	MECH. DES. APP.
		SA-119	A