

THE CONTENTS OF THIS DRAWING ARE THE EXCLUSIVE PROPERTY OF THE TECHNICAL MATERIEL CORP. ITS UNAUTHORIZED USE OR REPRODUCTION IN WHOLE OR IN PART IS STRICTLY FORBIDDEN.

REQ. PER UNIT

MODEL

USED ON

ASS'Y. NO.

DATE

6-11-62

SA-106

SPECIFICATIONS:

Series - UHF

No. of Contacts - One(1)

Type of Contact - Male and Female

Dielectric - Teflon

ELECTRICAL DATA:

Max. Peak Opr. Volt - 5,000 Volts

Freq. Limit -

Nominal Impedance - 50 Ohms

MATING ACCOMMODATIONS:

Type - QDS

MATERIAL:

External Parts - Brass

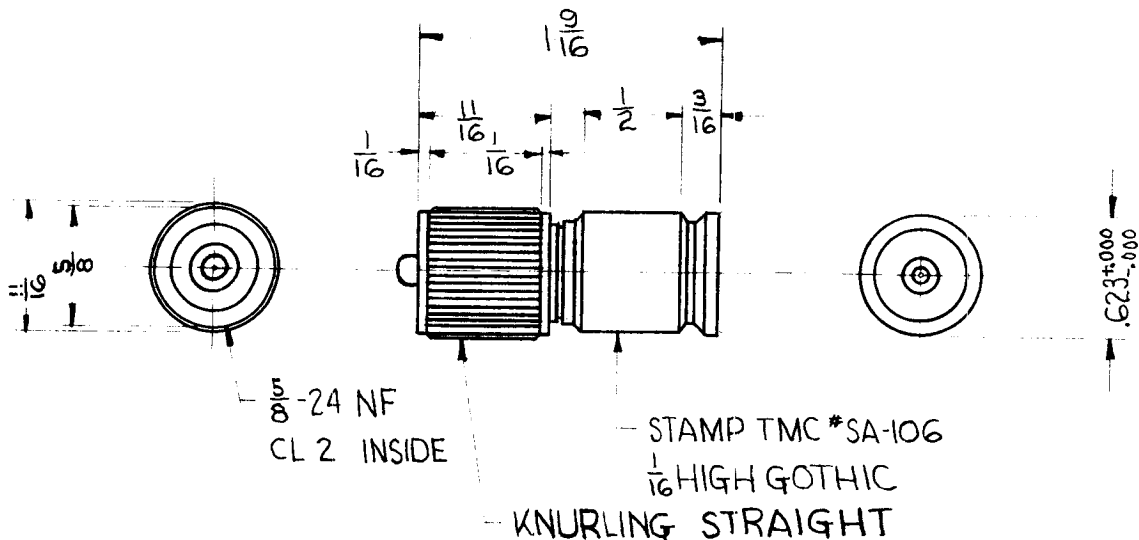
Contact - Brass

Gasket -

FINISH:

External Parts - Silver Plate,
Rhodium Flash

Contact - Silver Plate, Gold Flash



SYM	DESCRIPTION	DATE	CH. NO.	DRAFTS	CHECKER	ENG. APP.	REQ.	ITEM	PART NO.	PRITCHARD DESCRIPTION	SYMBOL
										THE TECHNICAL MATERIEL CORP. MAMARONECK, NEW YORK	
									SEE NOTE	ADAPTOR, CONNECTOR	
										"UHF"(M) TO "QDS"(F)	
										R. Turchin	BP
									SEE NOTE	6/15/62	SA-106