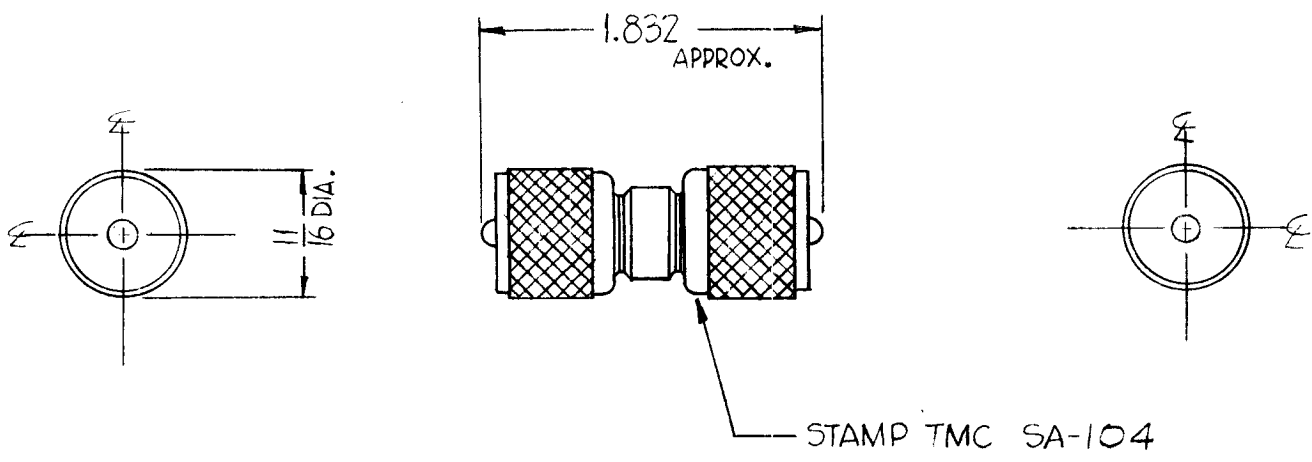


REQ. PER. UNIT	USED ON			SA-104
	MODEL	ASSY. NO.	DATE	
			5-12-61	

SPECIFICATION
 SERIES - UHF
 NO OF CONTACTS - (1) EACH END
 TYPE OF CONTACT - MALE
 DIELECTRIC - TEFLON
 ELECTRICAL DATA
 MAX. PEAK VOLT. -
 FREQ LIMIT -
 NOM. IMPEDANCE -

MATERIAL
 EXTERNAL PARTS - BRASS
 CONTACT - BRASS
 FINISH
 EXTERNAL PARTS - SILVER PLATE
 & RHODIUM FLASH
 CONTACT - SILVER PLATE & GOLD
 FLASH

NOTE - NOMENCLATURE WAS JJ-188



								REQ.	ITEM	PART NO.	DESCRIPTION		SYMBOL	
											THE TECHNICAL MATERIEL CORP.			
											MAMARONECK, NEW YORK			
											ADAPTER, CONNECTOR			
											UHF			
ISSUE	ITEM	CHANGED FROM	DATE	CH. NO.	DRAFTS	CHECKER	ENG. APP.	MATERIAL		DRAWN		CHECKED	FINAL APPROVAL	
TOLERANCES			SCALE: S401-70(9146)					TYPE & TEMPER		HEAT TREAT. SPEC.		ELEC. DES. APP		MECH. DES. APP
DEC. DIM. ±			MAXIMUM ALLOWABLE TOLERANCES HAVE BEEN DETERMINED AND ANY DEVIATIONS WILL BE CAUSE FOR REJECTION. REMOVE ALL BURRS AND SHARP EDGES					FINISH & SPEC. NO.		DRAWN		CHECKED		SA-104
FRAC. DIM. ±								FINISH & SPEC. NO.		DRAWN		CHECKED		
ANGULAR DIM. ±			FINISH & SPEC. NO.		DRAWN		CHECKED							