

DATE 10/11/62

SHEET 1 OF 4

TMC SPECIFICATION NO. S 724

[Signature]
COMPILED

[Signature]
CHECKED

TITLE: TEST PROCEDURE MODEL RTB-3

APPROVED *[Signature]*

TEST PROCEDURE MODEL RTB-3

DATE 10/11/62
SHEET 2 OF 4

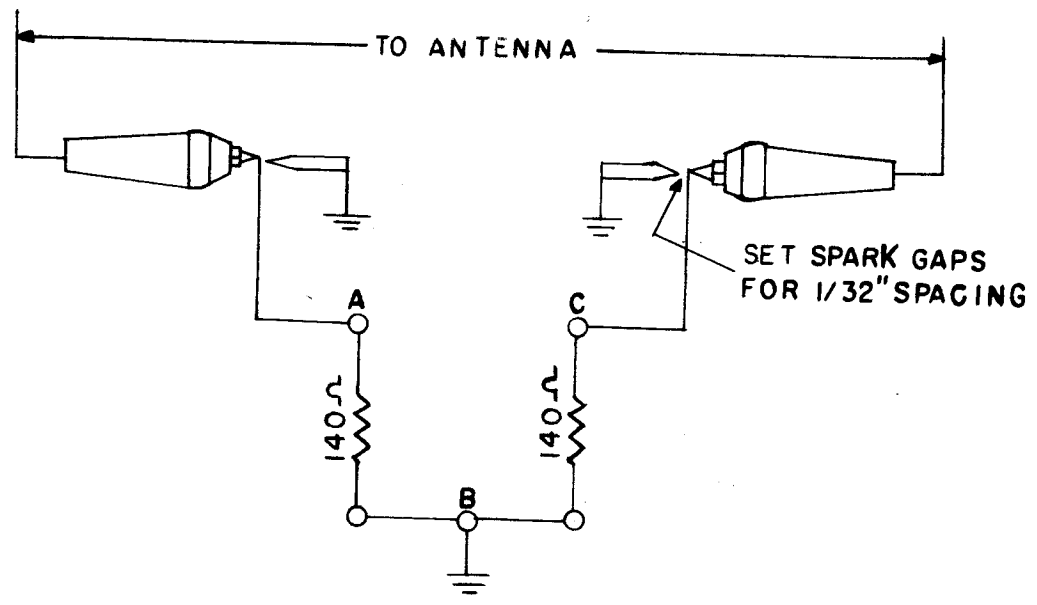
TMC SPECIFICATION NO. S 724

[Signature]
COMPILED

[Signature]
CHECKED

TITLE: TEST PROCEDURE MODEL RTB-3

APPROVED



DATE 10/11/62
SHEET 3 OF 4

TMC SPECIFICATION NO. S 724

[Signature]
COMPILED

[Signature]
CHECKED

TITLE: TEST PROCEDURE MODEL RTB-3

APPROVED

EQUIPMENT REQUIRED

Simpson Model 260 VOM or equivalent.

1. Inspect unit for mechanical defects before testing.
2. Check resistance from A to B. The VOM should read between 129 and 151 ohms.
3. Check resistance from B to C. The VOM should read between 129 and 151 ohms.
4. Check the resistance between the antenna terminals. The VOM should read between 258 and 302 ohms.
5. Record steps 1 to 4 on test data sheet.

DATE 10/11/62

SHEET 4 OF 4

TMC SPECIFICATION NO. S

724

[Signature]
COPILED

[Signature]
CHECKED

TITLE: TEST PROCEDURE MODEL RTB-3

APPROVED

THE TECHNICAL MATERIEL CORPORATION
MAMARONECK, N. Y.

RTB-3 TEST DATA SHEET

SERIAL NO. _____

MFG. NO. _____

- 1. Unit is free of mechanical faults. _____ OK
- 2. Between one side of terminal and CT (A-B). _____ OHMS
- 3. Between the other side of terminal and CT (B-C). _____ OHMS
- 4. Between antenna terminals _____ OHMS

DATE _____

TESTER _____