

DATE 1/16/58
SH. 1 OF
COMPILED BY

TMC SPECIFICATION NO. S-351

TITLE: CN-109-A ADAPTION KIT FOR GPT-750 (RTP SECTION)

JOB

APPROVED *[Signature]* A JT

SUBJECT:

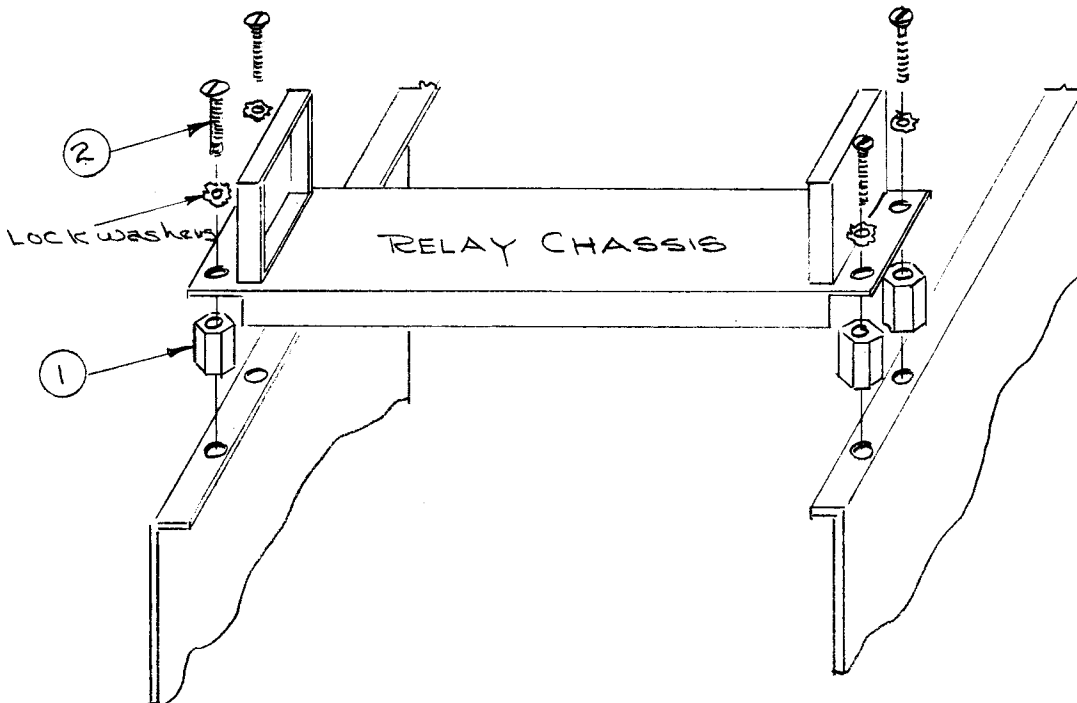
Replacement of C610, C601 and C602 in all GPT-750 transmitters having serial numbers lower than #212.

REASON FOR CHANGE:

Increase the operating life of the capacitor.

When the capacitors are shipped, they must be sent with the items shown in chart below, which will allow a raising of the RTP Relay Deck. This is necessary to accommodate CN-109-A which is higher than CN-109 due to its higher voltage rating.

ITEM NO.	REQ.	TMC NO.	DESCRIPTION
1	4	PM-476	Spacer, Relay Chassis
2	4	SCBS0832BC24	Screw, Machine; Binding Head Slotted. Brass Cadmium Plated 8-32 CL.2 Threads. 1 1/2 long.



Step 1. Remove four screws holding Relay Deck and discard. (retain 4 lockwashers)

Step 2. Reassemble Relay Deck as shown, using item 1, item 2, and lockwashers.