

DATE April 5 1954
SH. 1 OF 1

TMC SPECIFICATION NO. S-200

COMPILED BY
G.T. Or fice

TITLE: Modification of FFR

JOB

APPROVED G.T.O

A. PURPOSE

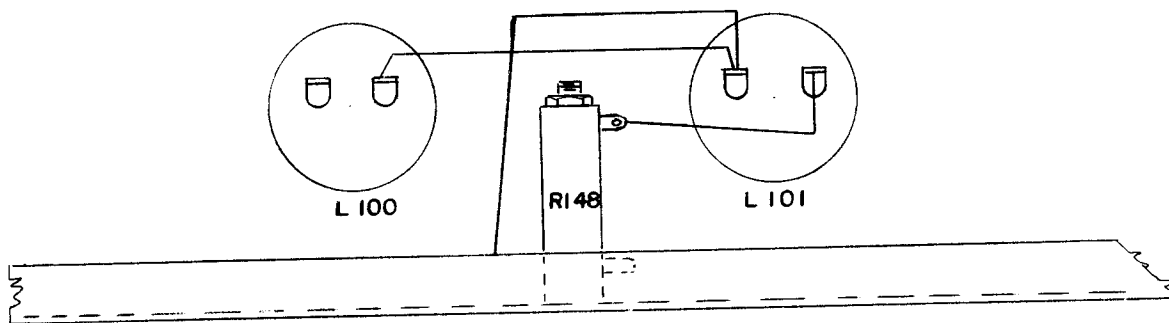
This specification provides for additional improvement in the reduction of audio distortion and hum level from the Model FFR Communications Receiver when used at the 0 dbm level. This modification improves the hum reduction from the present specification of 40 db below standard reference of $\frac{1}{2}$ watt to 60 dbm below $\frac{1}{2}$ watt. This corresponds to 40 db below 0 dbm. By reducing the hum level, audio distortion of 13% at 0 dbm drops to 2% at 0 dbm.

B. COMPONENTS REQUIRED

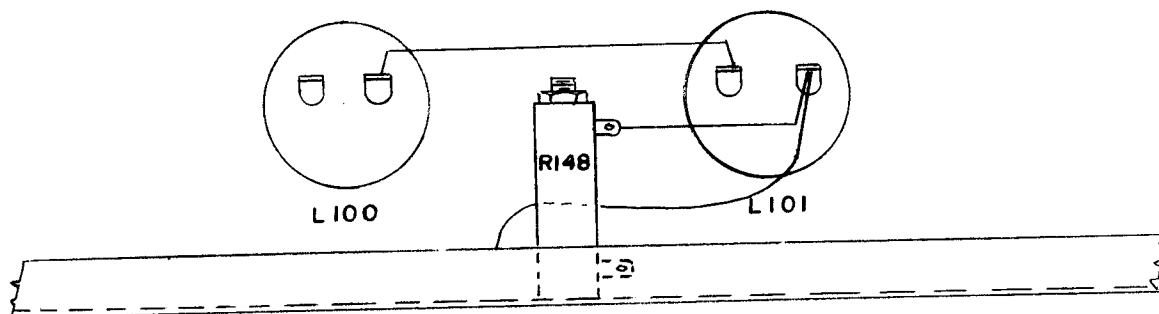
There are no additional components required to make this modification.

C. WIRING PROCEDURE

Remove the power supply side cover plate. The choke (L101) lug, directly under the 20 watt resistor R148, contains two red leads. One lead connects both chokes L100 and L101; the second goes directly to a power supply cable. Remove the second lead and connect it to the other lug of L101 (same choke). This change completes the modification. Replace side cover plate. Illustration below should be checked to insure proper wiring.



BEFORE CHANGE



AFTER CHANGE