

DATE <u>4/1/61</u>	TMC SPECIFICATION NO. S-10062 B	
SH. <u>1</u> OF <u>3</u>		
COMPILED BY <u>NK/hh.</u>	TITLE: TEST PROCEDURE FOR LOW PASS FILTER	JOB
APPROVED <u>[Signature]</u>	FX-10011 (DA-101)	<u>[Signature]</u>

TEST PROCEDURE
FOR
LOW PASS FILTER
FX-10011

DATE 4/11/60
SH. 2 OF 3
COMPILED BY
NK

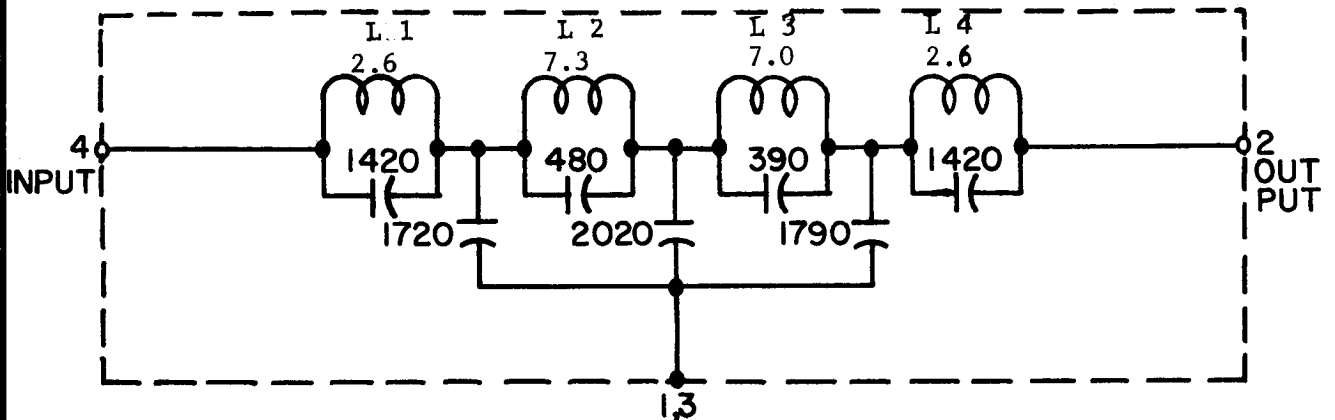
TMC SPECIFICATION NO. S-10062 B

TITLE: TEST PROCEDURE FOR LOW PASS FILTER

JOB

APPROVED *U. K.*

FX-10011 (DA-101)



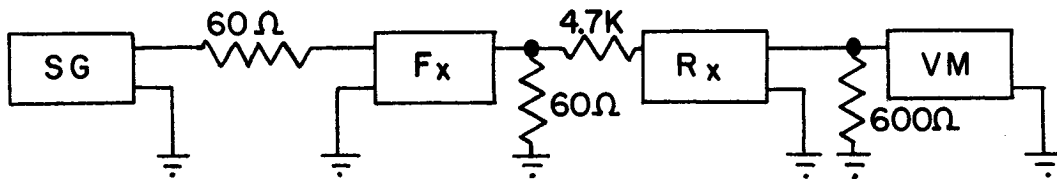
All capacitors in pf = 10^{-12}
All inductors in uH = 10^{-6}

1.) TUNING OF INDUCTORS:

Mount inductors only on filter mounting plate and tune the coil to the above given inductive values.

2.) TESTING OF FILTER:

Assemble the filter capacitors and test the filter.



Inject a signal with a voltage level of 100 uV and check the filter at the following frequencies measuring V1, V2 and V3 below 2 Mc/s and V2 and V3 only from 2 Mc/s onwards.
(See table next page.)

DATE <u>4/11/60</u> SH. <u>3</u> OF <u>3</u> COMPILED BY <u>NK/nh</u>	TMC SPECIFICATION NO. S-10062	B
TITLE: TEST PROCEDURE FOR LOW PASS FILTER		JOB
APPROVED <u>NK/nh</u> FX-10011 (DA-101) <u>109</u>		

FREQ. (Mc/s)	V ₁	V ₂	V ₃
.1	100	205 ± 10	V ₂ ± 10
1.00	100	210 ± 10	V ₂ ± 10
1.5	100	210 ± 20	V ₂ + 30 - 0
1.8	100	210 + 20 - 10	V ₂ + 30 - 0
2.0	100	240 + 60 - 30	V ₂ + 80 - 70
2.5		100	>50 K

