

DATE 7-26-61
SH. 1 OF 6

TMC SPECIFICATION NO. S -591

COMPILED BY
LB 16

TITLE: UNSYNTHEZIZED GPT-10K and GPT-40K ALDC

JOB REV-B

APPROVED

MODIFICATION KIT (TMC NO. KIT-111)

I. EQUIPMENT AFFECTED

A. All TMC Model GPT-10K and GPT-40K unsynthesized transmitters.

NOTE: For SBE ALDC KIT, use TMC KIT-110, or KIT-115.

II. PURPOSE

To provide ALDC from transmitter to exciter units in auxilliary frame.

III. MATERIALS SUPPLIED IN KIT

<u>ITEM NO.</u>	<u>DESCRIPTION</u>
1	One each, TMC No. CA-480-14-87, Cable Assembly, Main Frame to Auxilliary Frame. (consists of one receptacle, JJ-172, symbol No. J1008)
2	One each, TMC No. CA-480-16-24, Cable Assembly, Main Frame Side Shield to Auxilliary Frame Center Panel. (consists of two plugs, PL-169, symbol No. P3048, 3049)
3	One each, TMC No. CA-480-15-106, Cable Assembly, Auxilliary Frame Center Panel to SBE. (consists of one receptacle, JJ-172, symbol No. J3017, and one plug, PL-169, symbol No. P3050)
4	One each, TMC No. TP-113-D-0-1/2 Punch, Chassis, 1/2 inch "D" Type.
5	One each, 5/16 inch diameter Drill.
6	25 feet, TMC No. CD-101-1-MW, Cord, Lacing.
7	One each, TMC No. NP-362-5, Nameplate, Modification.

DATE 7-26-61
SH. 2 OF 6
COMPILED BY

TMC SPECIFICATION NO. S-591

TITLE: UNSYNTHESIZED GPT-10K and GPT-40K ALDC

JOB REV-B

APPROVED

MODIFICATION KIT (TMC NO. KIT-111)

IV. TOOLS REQUIRED

To be provided by installing activity.

1. Soldering iron, 35 watts or equivalent.
2. Pliers, 6 inch longnose.
3. Pliers, 6 inch diagonal cutting.
4. Screwdriver, 7 inch.
5. Wrench, 8 inch adjustable.
6. Hand drill, 3/8 inch chuck.
7. Simpson Model 260 Ohmmeter or equiv.

V. PROCEDURE

1. Remove all AC power from transmitter.
2. Disconnect cables from IPA unit in main frame and remove unit from transmitter.
3. Referring to Figure 1, Drilling Plan, Left Side Shield, MS-1829, mark location of new "D" hole. Drill a 5/16 dia. hole with item 5. Punch a "D" hole with item 4.
4. Mount connector of item 1 in "D" hole. (method of mounting to be the same as existing connectors on shield).
5. Feed stripped end of item 1 up through grommet hole in blower mounting deck. String cable along existing main cable trunk to the ALDC switch on the control panel. Lace new cable, item 1, to existing main cable with cord, item 6.
6. Rewire ALDC switch, symbol No. S1003, as per Figure 2., and make continuity check for proper operation.
7. Referring to Figure 3, Drilling Plan, Auxilliary Frame Center Panel, MS-1847, mark location of new "D" hole. Drill a 5/16 dia. hole with item 5. Punch a "D" hole with item 4.
8. Mount receptacle of item 3 in "D" hole. (method of mounting to be the same as existing connectors of Panel).
9. Lace new cable, item 3 with existing Auxilliary Frame main cable, using cord, item 6. "Break" new cable out at SBE unit and plug connector into the "ALDC IN" jack on the SBE.

DATE 7-26-61
SH. 3 OF 6
COMPILED BY

TMC SPECIFICATION NO. S-591

TITLE: UNSYNTHEZIZED GPT-10K and GPT-40K ALDC

JOB REV-B

APPROVED

MODIFICATION KIT (TMC NO. KIT-111)

10. Plug connectors of item 2 into the two new receptacles in the rear of the Auxilliary Frame. Lace new cable, item 2, to existing cable with cord, item 6.
11. Clean areas of all drill shavings, etc.
12. Replace IPA unit in transmitter and connect all cables.
13. Affix modification nameplate, item 7, conveniently next to existing "System" nameplate of Relay Panel Cover.

APPROVED _____

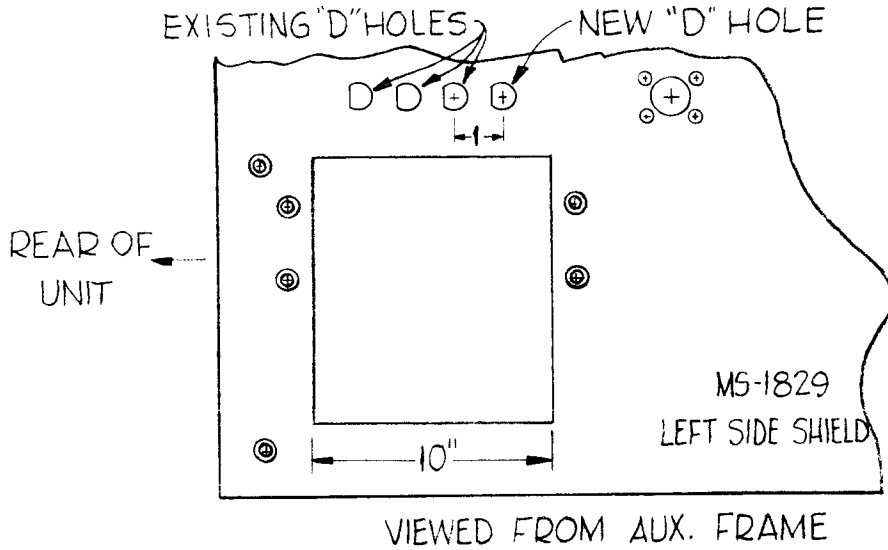
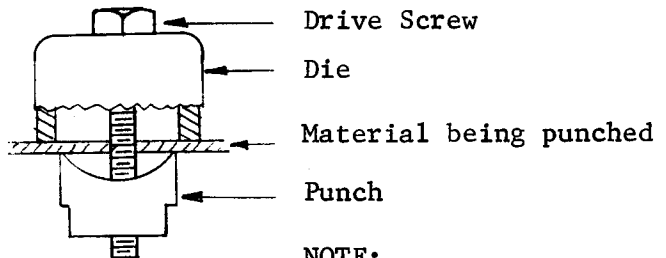


FIGURE 1

Step 1
 Drill a 5/16 Dia. hole through
 the metal. (to clear drive screw)

Step 2
 Insert drive screw in die open
 end of die toward threads.
 Place drive screw in hole and
 screw on punch from other side
 until all parts are tight.

Step 3
 Turn drive screw with wrench
 until metal is cut.



NOTE:
 Do not operate dry.
 Lubricate Punch and Threads

DATE _____
SH. 5 OF 6
COMPILED BY _____

TMC SPECIFICATION NO. S-591

TITLE: _____

JOB REV-B

APPROVED _____

AX-113, MAIN POWER PANEL CHANGE WIRING OF ALDC SWITCH,
SYMBOL S1003 PART No. SW-255

FROM

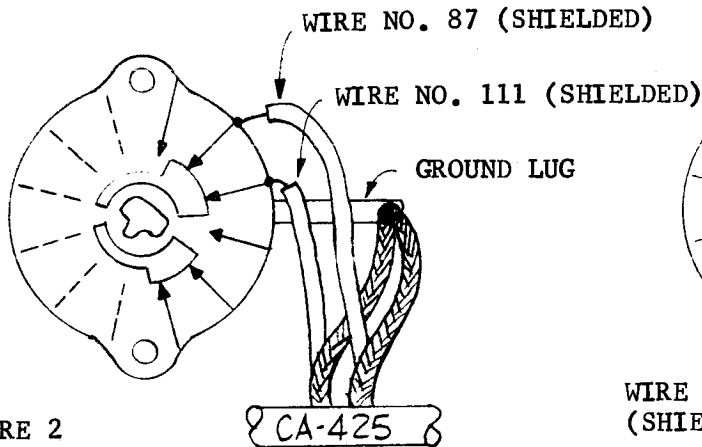
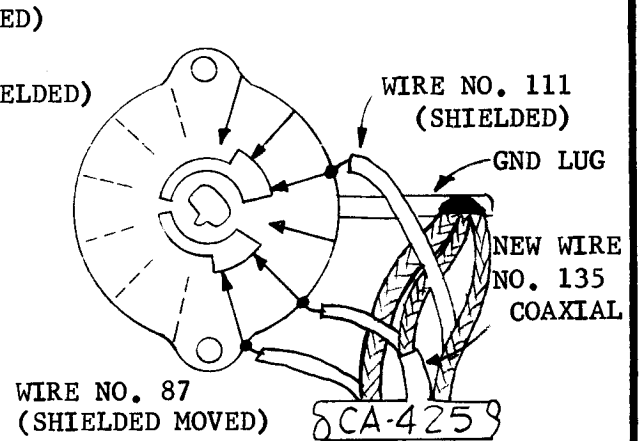


FIGURE 2

TO



VIEWED FROM REAR OF PANEL (SHOWN IN 'ON' POSITION)

DATE _____
SH. 6 OF 6
COMPILED BY _____

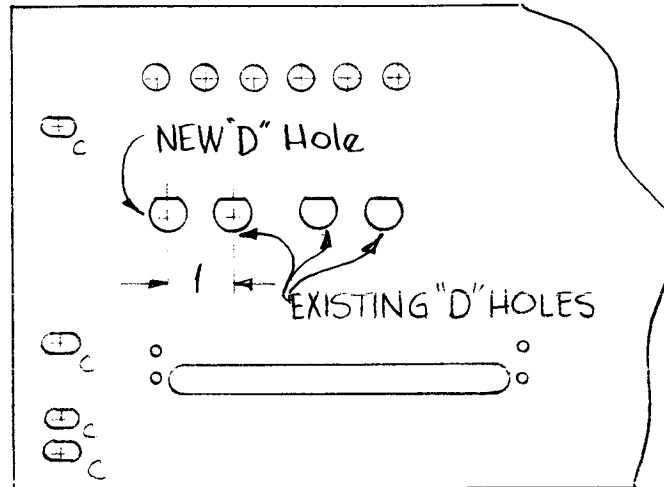
TMC SPECIFICATION NO. S-591

TITLE: _____

JOB REV-B

APPROVED _____

FIGURE 3



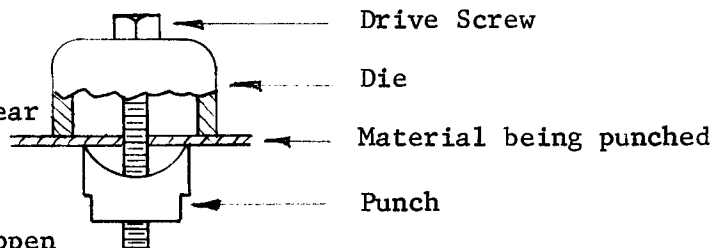
VIEWED FROM REAR

MS-1847 PANEL, CENTER SHIELD

Step 1
Drill a 5/16 Dia. hole through the metal. (to clear drive screw)

Step 2
Insert drive screw in die open end of die toward threads. Place drive screw in hole and screw on punch from other side until all parts are tight.

Step 3
Turn drive screw with wrench until metal is cut.



NOTE:
Do not operate dry.
Lubricate Punch and Threads

