

DATE 6/8/61
SH. 1 OF 7

TMC SPECIFICATION NO. S - 578

COMPILED BY
C.G.

TITLE: TEST PROCEDURE FOR MODEL LFD

JOB

C

APPROVED C.G. *RFM*

1. Equipment Required

- a. RF Signal generator
- b. RF VTVM

2. Procedure

- a. Set up test equipment and equipment to be tested as indicated in Figure 1.
- b. Check each test frequency for voltages indicated in Table I, II, III, or IV as appropriate.
- c. Record results obtained on test data sheets for the unit.

DATE 6/5/61

SH. 2 OF 7

COMPILED BY
C.G.

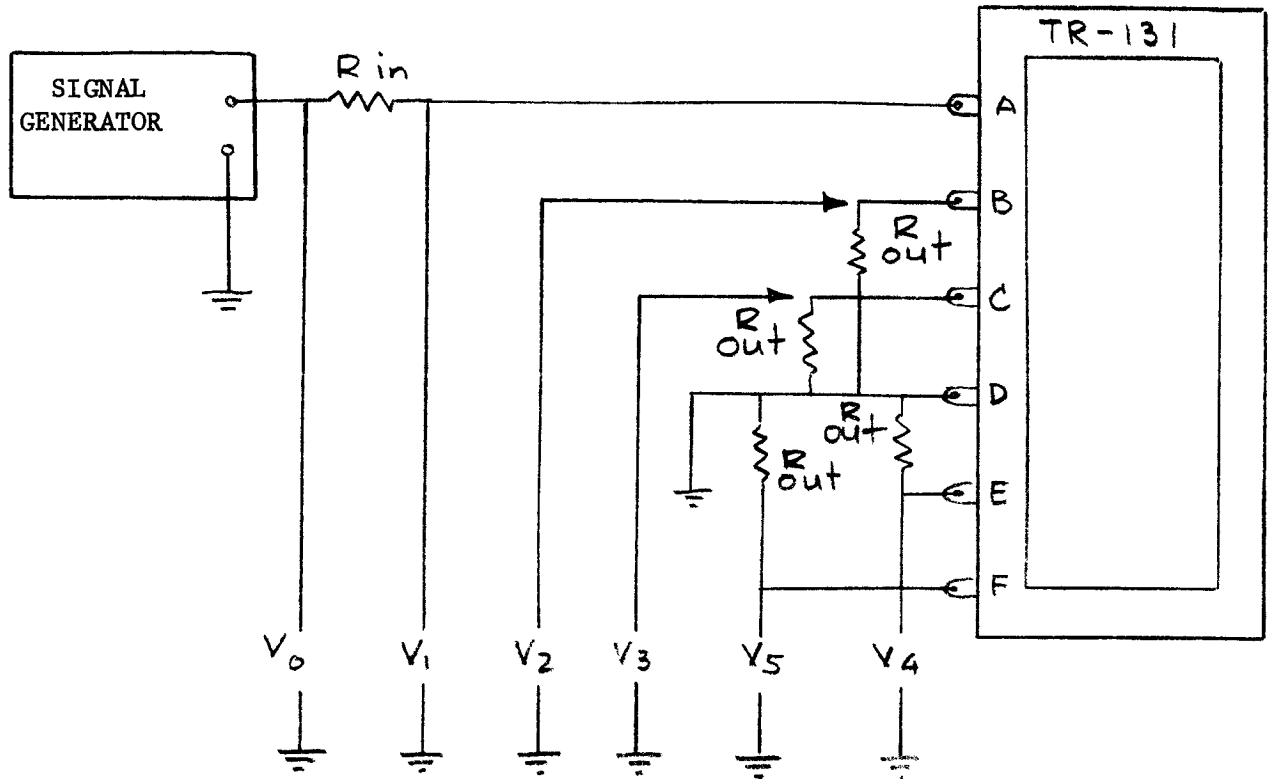
TMC SPECIFICATION NO. S - 578

TITLE: TEST PROCEDURE FOR MODEL LFD

JOB

C

APPROVED



R_{in} or R_{out} : 68 or 47 ohm as specified by customer for 50 or 70 ohm nominal.

FIGURE 1
TEST EQUIPMENT DIAGRAM

DATE 6/5/61
 SH. 3 OF 7
 COMPILED BY
 C.G.

TMC SPECIFICATION NO. S - 578

TITLE: TEST PROCEDURE FOR MODEL LFD

JOB C

APPROVED

R in = 68 ohm R out = 47 ohm

RF VOLTS (LIMITS)						
FREQ. KCS	V ₀	V ₁	V ₂	V ₃	V ₄	V ₅
15	1.0	.42 to .58	.16 to .19	.16 to .19	.16 to .19	.16 to .19
500	1.0	0.5 to 0.7	.15 to .21	.15 to .21	.15 to .21	.15 to .21
1000	1.0	0.5 to 0.7	.15 to .21	.15 to .21	.15 to .21	.15 to .21
2000	1.0	0.58 to 0.82	.15 to .21	.15 to .21	.15 to .21	.15 to .21
VOLTAGE RATIO* →			less than 1.41	less than 1.41	less than 1.41	less than 1.41

* NOTE: Ratio of highest to lowest voltage at any given output terminal to be less than 1.41 (3 db)

TABLE I

DATE SH. 4 OF 7

TMC SPECIFICATION NO. S - 578

COMPILED BY C.G.

TITLE: TEST PROCEDURE FOR MODEL LFD

JOB

C

APPROVED

R in = 47 Ohm R out = 47 Ohm

FREQ. KCS	RF VOLTS (LIMITS)					
	V ₀	V ₁	V ₂	V ₃	V ₄	V ₅
15	1.0	.55 to .59	.18 to .22	.18 to .22	.18 to .22	.18 to .22
500	1.0	.66 to .70	.21 to .25	.21 to .25	.21 to .25	.20 to .24
1000	1.0	.71 to .75	.20 to .24	.20 to .24	.20 to .24	.19 to .23
2000	1.0	.79 to .83	.16 to .20	.16 to .20	.16 to .20	.15 to .19
VOLTAGE RATIO* →			less than 1.41	less than 1.41	less than 1.41	less than 1.41

*NOTE Ratio of highest to lowest voltage at any given output terminal to be less than 1.41 (3db).

DATE SH. <u>5</u> OF <u>7</u> COMPILED BY C.G.	TMC SPECIFICATION NO. S - 578
TITLE: TEST PROCEDURE FOR MODEL LFD	JOB <u>C</u>

APPROVED

R in = 68 Ohm R out = 68 Ohm

FREQ. KCS	RF VOLTS (LIMITS)					
	V ₀	V ₁	V ₂	V ₃	V ₄	V ₅
15	1.0	.50 to .54	.17 to .21	.17 to .21	.17 to .21	.16 to .20
500	1.0	.66 to .70	.21 to .23	.21 to .25	.21 to .25	.21 to .25
1000	1.0	.68 to .72	.21 to .25	.21 to .25	.22 to .24	.20 to .24
2000	1.0	.74 to .78	.18 to .22	.18 to .22	.18 to .22	.18 to .22
VOLTAGE RATIO* →			less than 1.41	less than 1.41	less than 1.41	less than 1.41

*NOTE: Ratio of highest to lowest voltage at any given output terminal to be less than 1.41 (3db).

DATE
SH. 6 OF 7
COMPILED BY
C.G.

TMC SPECIFICATION NO. S - 578

TITLE: TEST PROCEDURE FOR MODEL LFD

JOB | C

APPROVED

R in - 47 Ohm R out = 68 Ohm

RF VOLTS (LIMITS)						
FREQ. KCS	V ₀	V ₁	V ₂	V ₃	V ₄	V ₅
15	1.0	.55 to .59	.20 to .24	.20 to .24	.20 to .24	.20 to .24
500	1.0	.70 to .74	.24 to .28	.24 to .28	.24 to .28	.24 to .28
1000	1.0	.72 to .76	.23 to .27	.23 to .27	.23 to .27	.23 to .27
2000	1.0	.80 to .84	.20 to .24	.21 to .25	.21 to .25	.20 to .24
VOLTAGE RATIO* →			less than 1.41	less than 1.41	less than 1.41	less than 1.41

*NOTE: Ratio of highest to lowest voltage at any given output terminal to be less than 1.41 (3db).

DATE 6/5/61

SH. 7 OF 7

COMPILED BY
C.G.

TMC SPECIFICATION NO. S - 578

TITLE: TEST PROCEDURE FOR MODEL LFD

JOB

C

APPROVED

TEST DATA SHEET LFD

R_{in} _____ R_{out} _____

RF VOLTS
(ACTUAL)

FREQ. KCS	V_0	V_1	V_2	V_3	V_4	V_5
VOLTAGE RATIO < 1.41						

DATE _____

TESTED BY _____

