

DATE 5-19-61

SH. 1 OF 1

COMPILED BY
AL N.

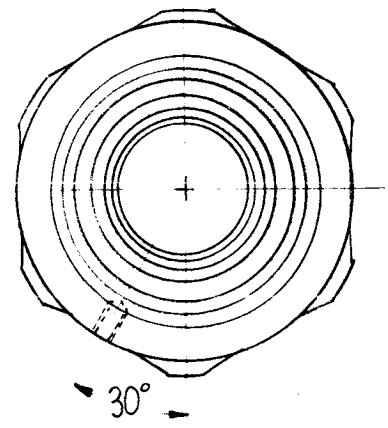
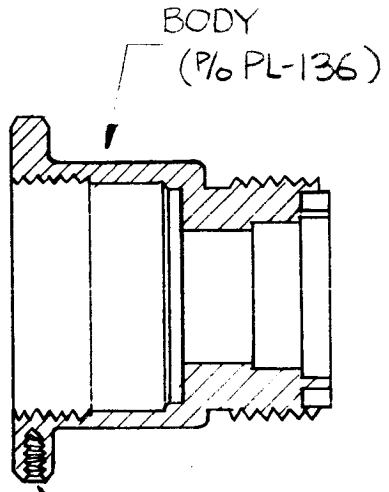
APPROVED 

TMC SPECIFICATION NO. S-560

TITLE: MODIFICATION OF PL-136 PLUG CONNECTOR

JOB

TO MOUNT HB-116 (REF: PROJ. VAN)



NO.36 (.1065) DRILL, 6-32 NS-2 TH'D
AFTER PLATING P.D. GO .1177 NOGO
.1204 DO NOT BREAK THRU.
TO MOUNT HB-116.