

DATE 6/24/60

SH. 1 OF 2

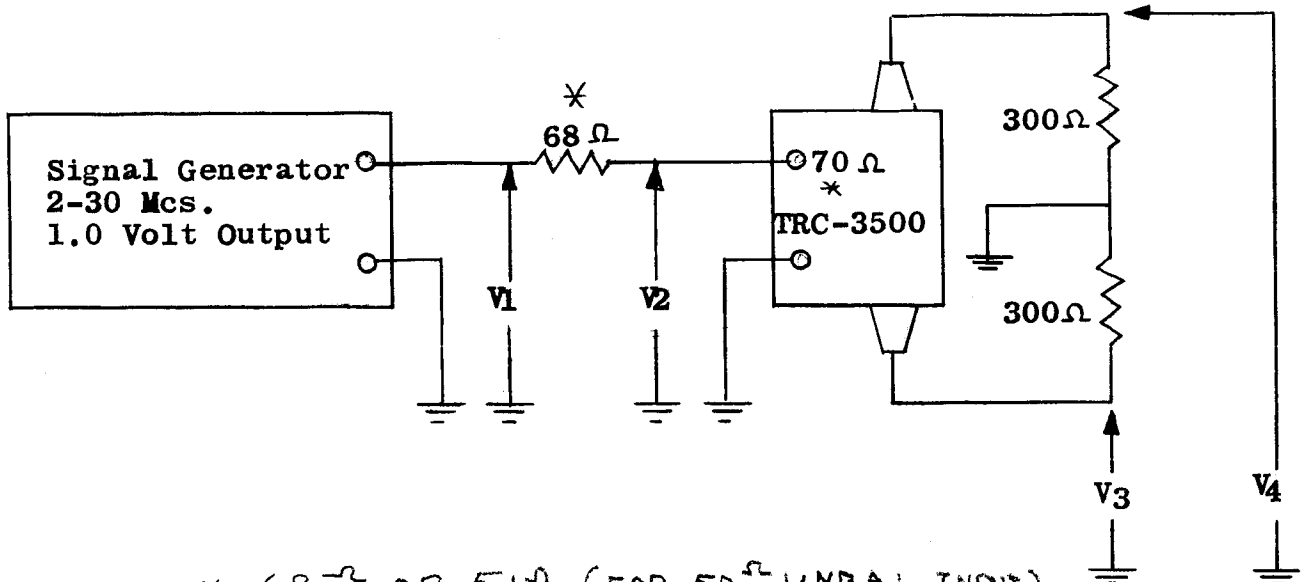
COMPILED BY

TMC SPECIFICATION NO. S-498

TITLE: Model TRC-3500 TEST PROCEDURE **

JOB

APPROVED

* 68 Ω OR 51 Ω (FOR 50 Ω UNBAL INPUT)

** Potted and Encased for shipment.

TEST EQUIPMENT:

Signal Generator, Model 82 or Equiv.,
Hewlett Packard VTVM Model 410B

TEST DATA

Freq.	V ₁	V ₂	V ₃	V ₄
2	1.0	.45	.576	.558
		to	to	to
4	1.0	.55	.704	.682
		.468	.612	.594
8	1.0	to	to	to
		.572	.748	.726
16	1.0	.486	.612	.594
		to	to	to
24	1.0	.594	.748	.726
		.414	.612	.630
30	1.0	to	to	to
		.506	.748	.770
30	1.0	.441	.630	.612
		to	to	to
30	1.0	.539	.770	.748
		.522	.504	.504
30	1.0	to	to	to
		.638	.616	.616

DATE 6/24/60
SH. 1 OF 2
COMPILED BY

TMC SPECIFICATION NO. S -498

TITLE: Model TRC-3500 TEST PROCEDURE

JOB

APPROVED

TEST DATA SHEET

AUG 30 1963

Model TRC-3500
Potted and Encased

Freq. in Mcs	V1	V2	V3	V4
2				
4				
8				
16				
24				
30				