

DATE 10-21-53

SH. 1 OF

COMPILED BY
P.L.K.

TMC SPECIFICATION NO. S-142

TITLE: T sting f Model RSF-1

JOB 170

APPROVED

Testing of Model RSF-1

OB SOLETE 11/30/54
S U P E R C E D E D b y 8-243

OB SOLETE

DATE 10-21-53
SH. 1 OF 5

TMC SPECIFICATION NO. S-142

COMPILED BY
P.L.K.

TITLE: T sting of Mod 1 RSF-1

JOB 170

APPROVED

Table of Contents

1. Purpose	Page 3
2. Equipment Required	3
3. Equipment Layout	3
4. Chart	4
5. Terminal Connections	4
6. Procedure	4
7. Test Sheet	5

OBSOLETE

DATE 10-21-53
 SH. 2 OF 5
 COMPILED BY
 P.L.K.

TMC SPECIFICATION NO. S-142

TITLE: Testing of Model RSF- 1

JOB 170

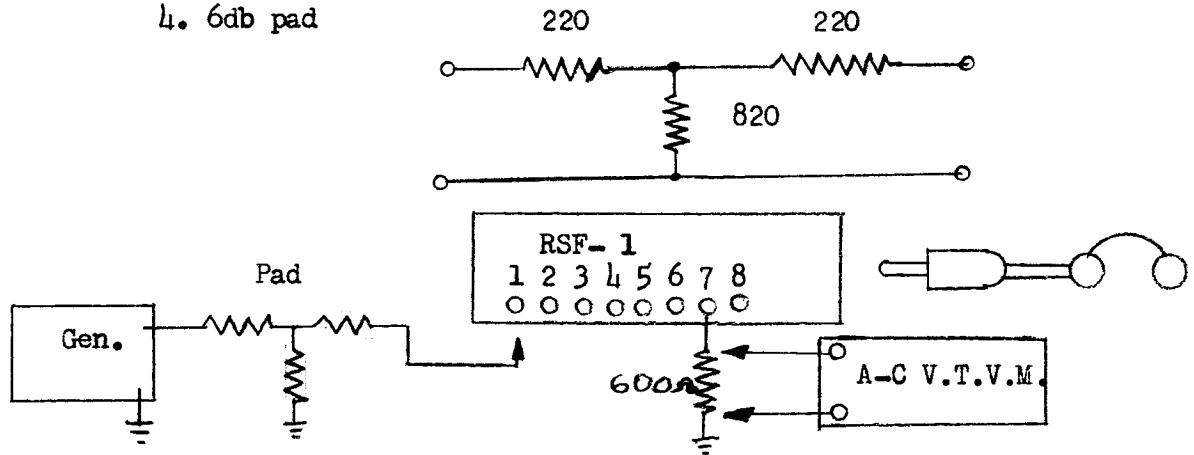
APPROVED

1. Purpose:

The Model RSF- 1 is a device used in the RCR system which filters the individual outputs of the RSC- 1, Remote Control unit , and mixes them so they can be transmitted as a composite signal.

2. Equipment required:

1. Audio Generator - Hewlett Packard 200C
2. A-C V.T.V.M.- Heath AV-2
3. Headset
4. 6db pad



3. Equipment Layout:

DATE 10-21-53SH. 3 OF 5

COMPILED BY

P.L.K.

TMC SPECIFICATION NO. S-142

TITLE: Testing of Model RSF- 1

JOB 170

APPROVED

4. Chart:

Model	Sw. Pos. & ffreq. obtained		
	BFO	HFO	R.F. Gain
RSF-1A	595	765	425
RSF-1B	1105	1275	935
RSF-1C	1615	1785	1445
RSF-1D	2125	2295	1955
RSF-1E	2635	2805	2465

5. Terminal Connections: E1

#1. BFO

#3. HFO

#5. RF Gain

#7. Output

#2,4,6,8. Ground

6. Procedure:

1. Connect 600 ohm load across 7 & 8 of E1.
2. Connect Audio Generator with 6 db pad to pin 1.
3. Adjust generator output for 2 volts into pad.
(Not at same frequency as filter.)
4. Tune generator to correct frequency for BFO determined by model number as shown in above chart.
5. Turn Switch from OUT to BFO position.

DATE 10-21-53
SH. 4 OF 5

TMC SPECIFICATION NO. S-142

COMPILED BY
P.L.K.

TITLE: Testing of Model RSF- 1

JOB 170

APPROVED

6. Tone should not be heard in headset with switch at OUT position. At BFO tone should be audible.

7. Connect A-C V.T.V.M. to output terminal (7) and tune generator for peak. Frequency should be as shown on chart. Note voltage and frequency on test sheet. Voltage should be no lower than .15 volts.

8. Connect Audio Generator with 6 db pad to pin 3.

9. Repeat 3, 4, 5, and 7 for HFO.

10. Connect Audio Generator with 6 db pad to pin 5.

11. Repeat 3, 4, 5, 6, and 7 for RF GAIN.

DATE 10-21-53
SH. 5 OF 5
COMPILED BY
P.L.K.

TMC SPECIFICATION NO. S-142

TITLE: Testing of Model RSF-1

JOB 170

APPROVED

TEST SHEET

Model RSF-1 _____

Serial No. _____

Filter	Frequency	Input Volts	Output Volts	Switch Operation
BFO	_____ cys	2 v.	_____ v.	_____
HFO	_____ cys	2 v.	_____ v.	_____
RF GAIN	_____ cys	2 v.	_____ v.	_____

Tester _____

Date _____