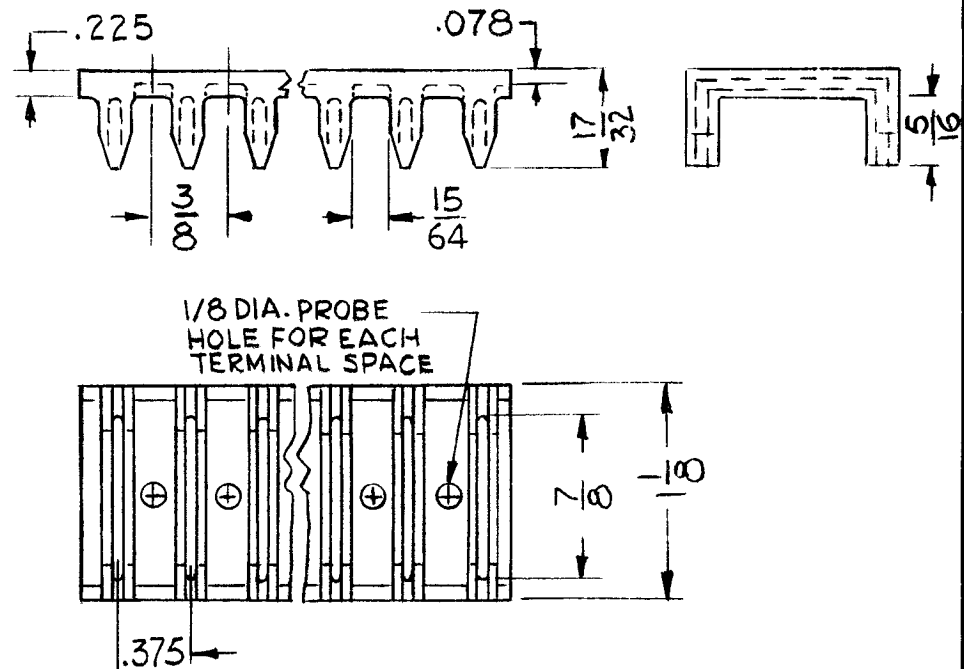


TMC PART NO	MFG PART NO	FITS TERMINAL BLOCKS	MAX LENGTH	REQ. PER UNIT	USED ON			RY155	Ø
					MODEL	ASS'Y. NO.	DATE		
RY155-1	TA15MO2	TM100 & TM102	22 TERMINAL		PPTA-1		12-17-64		



TMC PART NUMBER SHALL BE IN THE FOLLOWING FORM:

RY155-1-22

BASIC P/N TYPE NUMBER OF TERMINALS

REQ.	ITEM	PART NO.	TOMAN/DeWey				DESCRIPTION	SYMBOL		
Ø			THE TECHNICAL MATERIEL CORP. MAMARONECK, NEW YORK							
			NEOPRENE BLACK PER AMS 3209C				COVER, BARRIER STRIP			
X			G.D.L.							
SYM	DESCRIPTION		DATE	CH. NO.	DRAFTS	CHECKER	ENG. APP.			
	UNLESS OTHERWISE SPECIFIED DIMENSIONS ARE IN INCHES AND INCLUDE CHEMICALLY APPLIED OR PLATED FINISHES		SCALE DO NOT SCALE							
	DECIMALS .X ± .05 .XX ± .01 .XXX ± .010		FRACTIONS ± 1/32 ANGLES ± 0° 30'		CODE C	S401-337				
	TOLERANCES									
					TYPE & TEMPER		HEAT TREAT. SPEC.	DRAWN	CHECKED	FINAL APPROVAL
					G.D.L. 12-17-64		@ 12-21-64	RAC		
					FINISH & SPEC. NO.		ELEC. DES. APP.	MECH. DES. APP.	RY155 Ø	