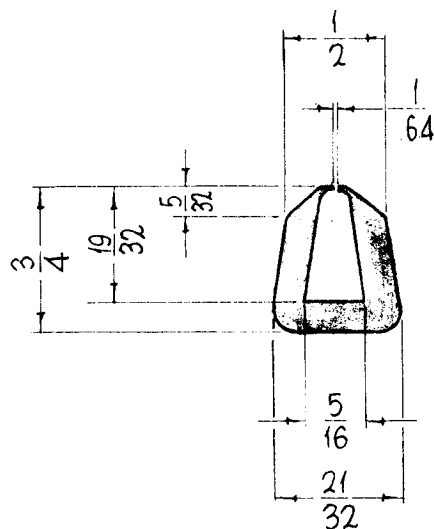


REQ. PER UNIT	USED ON			RY-153	Ø
	MODEL	ASS'Y. NO.	DATE		
	TER-100K		1-31-64		



REQ.	ITEM	PART NO.	F. BUDETTI	DESCRIPTION	SYMBOL	
				1/8 THICK		
				STOCK SIZE		
				NEOPRENE		
				DURO 50 TO 60		
				TYPE & TEMPER		
				HEAT TREAT. SPEC.		
				BLACK		
				FINISH & SPEC. NO.		
Ø	ORIGINAL RELEASE FOR PRODUCTION	69-65	JC			
SYM	DESCRIPTION	DATE	CH. NO.	DRAFTS	CHECKER	ENG. APP.
UNLESS OTHERWISE SPECIFIED DIMENSIONS ARE IN INCHES AND INCLUDE CHEMICALLY APPLIED OR PLATED FINISHES		SCALE		DURO 50 TO 60		
DECIMALS .X ± .05 .XX ± .01 .XXX ± .005		FRACTIONS ± 1/64 ANGLES ± 0° 30'		CODE		
TOLERANCES		S-401-231 #ZX-4149		John C. Biele		
				DRAWN		
				CHECKED		
				FINAL APPROVAL		
				ELEC. DES. APP.		
				MECH. DES. APP.		
				RY-153		
				Ø		