

THE CONTENTS OF THIS DRAWING ARE THE EXCLUSIVE PR PERTY OF THE TECHNICAL MATERIEL CORP. ITS UNAUTHORIZED USE OR REPRODUCTION IN WHOLE OR IN PART IS STRICTLY FORBIDDEN.

REQ. PER UNIT

1 TRX-1

USED ON

MODEL

ASSY. NO.

DATE

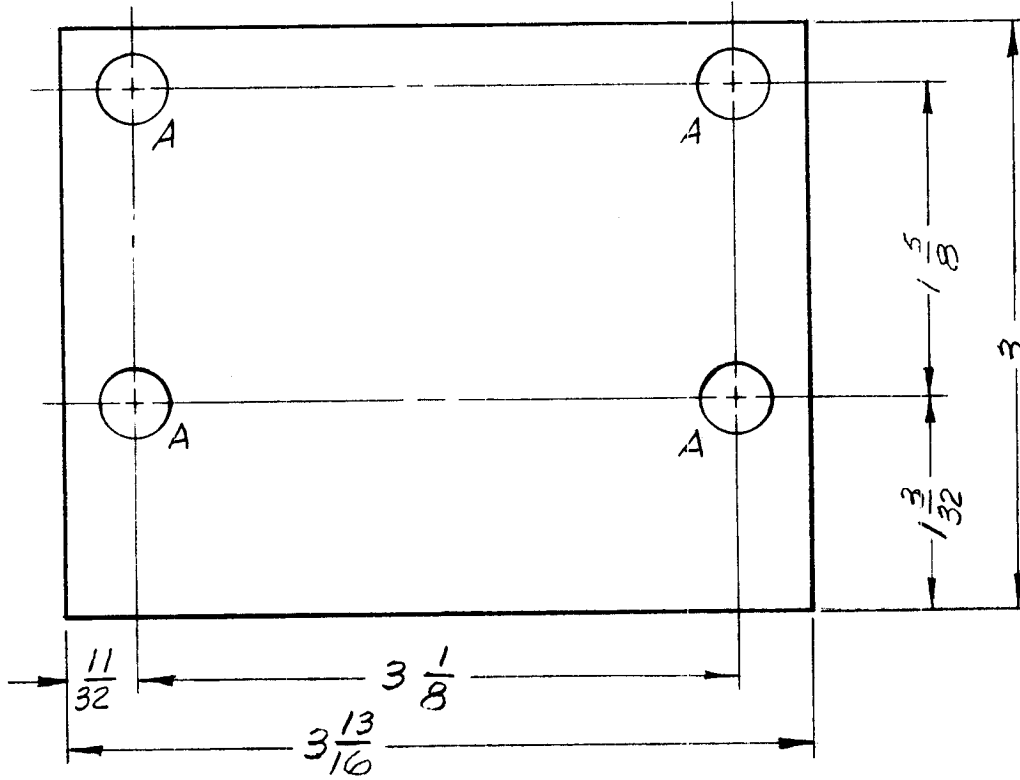
1 TRX-1

AO-111

8-24-62

RY-149

SYM.	DESCRIPTION	REQ'D
A	3/8 DIA.	4



SYM	DESCRIPTION	DATE	CH. NO.	DRAFTS	CHECKER	ENG. APP.	REQ. ITEM	PART NO.	STURMER DESCRIPTION	SYMBOL	
							3/16 THICK STOCK SIZE		THE TECHNICAL MATERIEL CORP. MAMARONECK, NEW YORK		
							POLYURETHANE (ESTANE 5740X1) MATERIAL		INSULATION, HEATER		
									T. RAMIREZ	J.D. 3/12/63	
UNLESS OTHERWISE SPECIFIED: DIMENSIONS ARE IN INCHES TOLERANCES ON FRAC. ± 1/64 DEC. ± .005 ANGLES ± 1/2°		SCALE: FULL									
		MAXIMUM ALLOWABLE TOLERANCES HAVE BEEN DETERMINED AND ANY DEVIATIONS WILL BE CAUSE FOR REJECTION. REMOVE ALL BURRS AND SHARP EDGES									
							TYPE & TEMPER	HEATTREAT. SPEC.	DRAWN	CHECKED	FINAL APPROVAL
									JMA	D. Hoshim 3-13-63	RY-149
							FINISH & SPEC. NO.		ELEC. DES. APP.	MECH. DES. APP.	