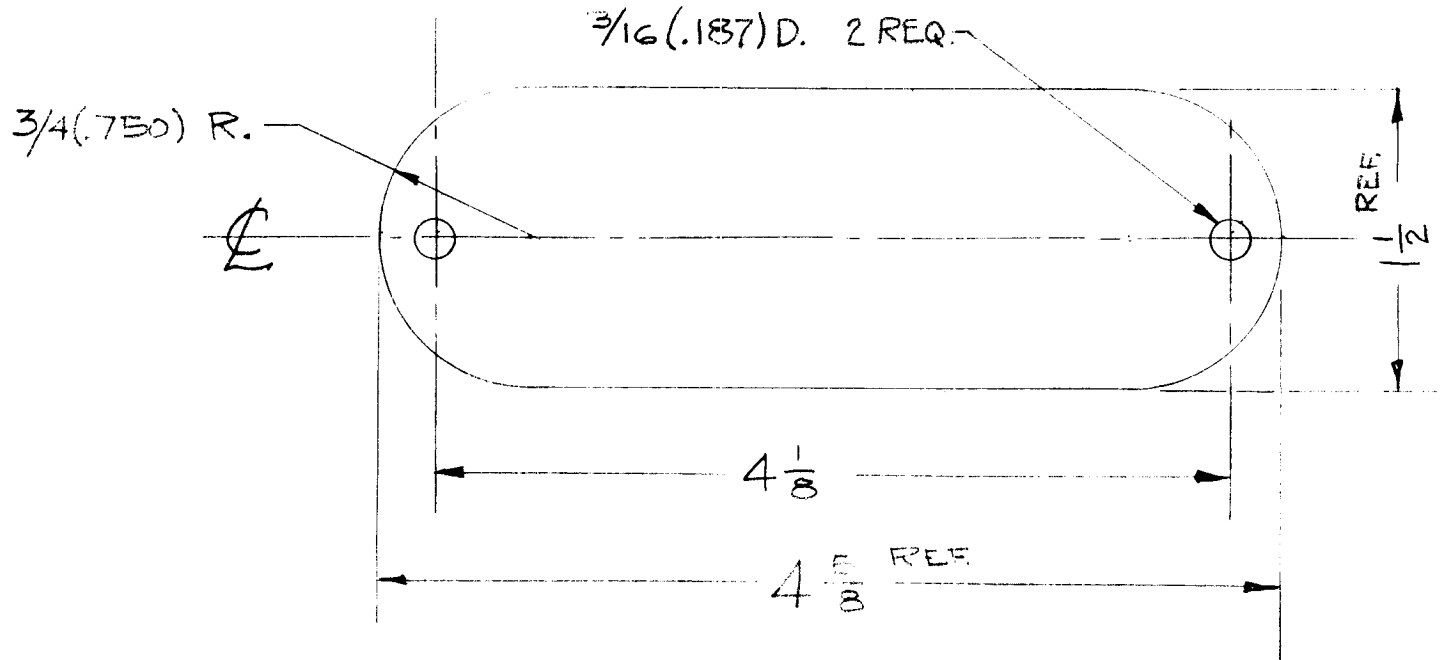


REQ. PER UNIT	USED ON			RY-120
	MODEL	ASS'Y. NO.	DATE	
2	TLI-1	A-1485	7-16-57	



REQ. ITEM	PART NO.	DESCRIPTION	SYMBOL
	$\frac{1}{16}$ THK STOCK SIZE	THE TECHNICAL MATERIEL CORP. MAMARONECK, NEW YORK	
	NEOPRENE	GASKET, COVER	
	MATERIAL		
ISSUE	ITEM	CHANGED FROM	DATE
		TOLERANCES	SCALE:
		DEC. DIM. \pm FRAC. DIM. \pm ANGULAR DIM. \pm	MAXIMUM ALLOWABLE TOLERANCES HAVE BEEN DETERMINED AND ANY DEVIATIONS WILL BE CAUSE FOR REJECTION. REM VE ALL BURRS AND SHARP EDGES
		TYPE & TEMPER	HEAT TREAT. SPEC.
		NONE	
		FINISH & SPEC. NO.	ELEC. DES. APP.
			MECH. DES. APP.
		7-16-57 SC DRAWN	7-16-57 CHECKED
			FINAL APPROVAL
			RY-120