

RW-119 A

RESISTANCE CHARTS

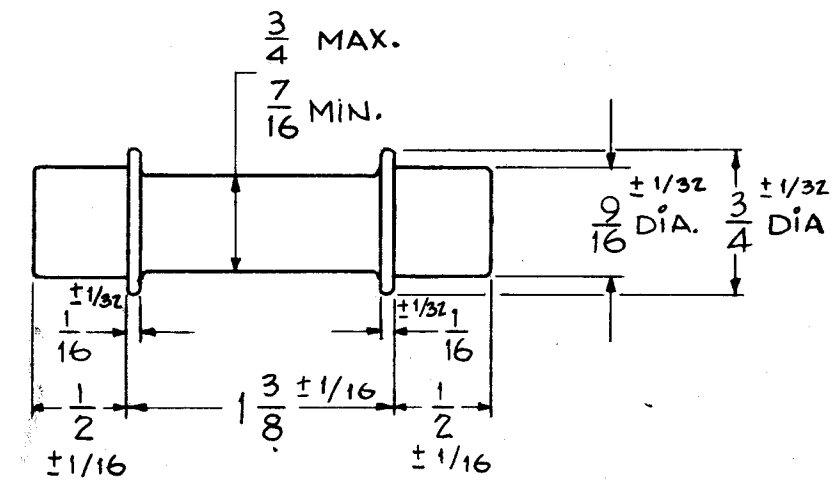
TMC RESIST. CODE	NOMINAL RESIST OHMS	MAX. MILLI-AMPS
1R0	1.0	3.741
1R1	1.1	3.563
1R2	1.2	3.405
1R4	1.4	3.162
1R6	1.6	2.949
1R8	1.8	2.774
2R0	2.0	2.645
2R2	2.2	2.509
2R5	2.5	2.366
2R8	2.8	2.236
3R1	3.1	2.121
3R5	3.5	2.000
4R0	4.0	1.870

TMC RESIST. CODE	NOMINAL RESIST. OHMS	MAX. MILLI-AMPS
4R5	4.5	1.760
5R0	5.0	1.673
5R6	5.6	1.581
6R3	6.3	1.483
7R1	7.1	1.378
8R0	8.0	1.303
9R0	9.0	1.224
100	10	1.183
110	11	1.127
120	12	1.077
140	14	1.000
160	16	933
180	18	877
200	20	837
220	22	794
250	25	748
280	28	707
310	31	671
350	35	632
400	40	592
450	45	557
500	50	529
560	56	500
630	63	469
710	71	436
800	80	412
900	90	387
101	100	374
111	110	356
121	120	341
131	130	336
141	140	316
161	160	295
181	180	277

TMC RESIST. CODE	NOMINAL RESIST. OHMS	MAX. MILLI-AMPS.
201	200	265
221	220	251
251	250	237
281	280	224
311	310	212
351	350	200
401	400	187
451	450	176
501	500	167
561	560	158
631	630	148
711	710	138
801	800	130
901	900	122
102	1,000	118
112	1,100	113
122	1,200	108
142	1,400	100
162	1,600	93
182	1,800	88
202	2,000	84
222	2,200	79
252	2,500	75
282	2,800	71
312	3,100	67
352	3,500	63
402	4,000	59
452	4,500	56
502	5,000	53
562	5,600	50
632	6,300	47
712	7,100	44
802	8,000	41

CHARACTERISTICS CHART

SYMBOL	MAXIMUM CONTINUOUS OPER. TEMP.	MOISTURE RESISTANCE
F	275° C	Resistant to salt water immersion after thermal shock in water
G	275° C	Resistant to moisture after thermal shock in air



RW-119-G-1R1

BASIC TMC PART NO. TEMP. CHAR. (SEE CHART) TMC RESIST. CODE (SEE CHART)

ISSUE	ITEM	CHANGED FROM	DATE	CH. NO.	DRAFTS	CHECKER	ENG. APP.
A	1	OLD RESISTANCE CHART ADDED CODE 131.	11-4-63	10371			
TOLERANCES			SCALE: S-401-49 (RW-16)				
DEC. DIM. ±			MAXIMUM ALLOWABLE TOLERANCES HAVE BEEN DETERMINED AND ANY DEVIATIONS WILL BE CAUSE FOR REJECTION.				
FRAC. DIM. ±			REMOVE ALL BURRS AND SHARP EDGES				
ANGULAR DIM. ±							

REQ. PER UNIT	MODEL	PROJECT NO.	ASS'Y. NO.	DATE
				5-19-59
USED ON				

REQ. ITEM	PART NO.	DESCRIPTION	SYMBOL
		THE TECHNICAL MATERIEL CORP. MAMARONECK. NEW YORK	
STOCK SIZE		RESISTOR, FIXED, WIREWOUND ~ 14 WATTS	
MATERIAL		J.C. BIELE	
TYPE & TEMPER	HEAT TREAT. SPEC.	DRAWN	CHECKED
		GG.	
FINISH & SPEC. NO.		ELEC. DES. APP.	MECH. DES. APP.
		RW-119	A