

IF IT IS FOUND DESIRABLE TO CHANGE ANY TOLERANCE OR OTHER DETAIL SPECIFIED ON THIS DRAWING NOTIFY THE PURCHASER PROMPTLY.

RELEASED

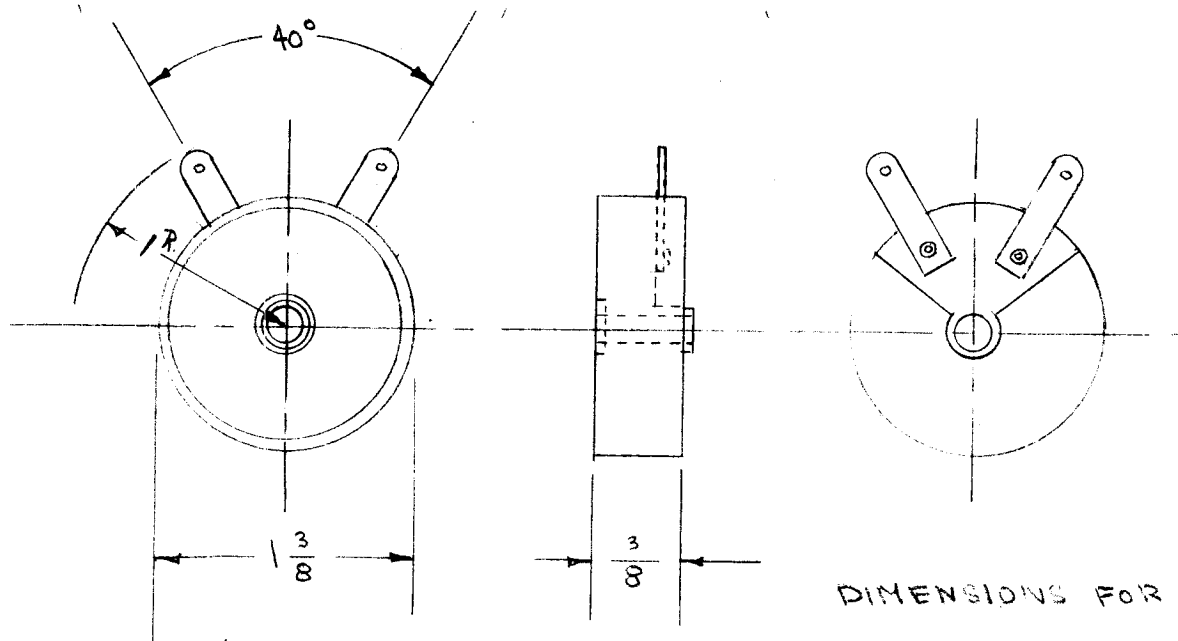
RW-108

MAXIMUM ALLOWABLE TOLERANCES HAVE BEEN DETERMINED AND DEVIATIONS WILL BE CAUSE FOR REJECTION. REMOVE ALL BURRS AND SHARP EDGES

USED ON

MODEL	PROJECT NO.	ASS'Y. NO.	DATE
LFA	109		

TMC-NO.	OHMS	CURRENT M.A.
RW-108 -1	1	4899
RW-108 -2	3	2828
RW-108 -3	5	2199
RW-108 -4	10	1548
RW-108 -5	15	1265
RW-108 -6	25	999
RW-108 -7	50	699
RW-108 -8	100	489
RW-108 -9	150	400
RW-108 -10	200	346
RW-108 -11	250	309
RW-108 -12	400	245
RW-108 -13	500	219
RW-108 -14	750	178
RW-108 -15	1000	154
RW-108 -16	1250	138
RW-108 -17	1500	126
RW-108 -18	2000	109
RW-108 -19	2500	99
RW-108 -20	3000	89
RW-108 -21	3500	82
RW-108 -22	4000	77



DIMENSIONS FOR REF. ONLY.

MTG. HOLE DIA. - 0.196
TERM. HOLE DIA. - 0.089

REF.: WARD LEONARD # 24D.

REQ.	ITEM	PART NO.	DESCRIPTION	SYMBOL
	#		THE TECHNICAL MATERIEL CORP. MAMARONECK, NEW YORK	
		STOCK SIZE	RESISTOR, FIXED W.W.	
	#	#	24 WATTS	
		MATERIAL	WEIGHT PER PC.	
		TYPE & TEMPER	C.D.D. 9-22-52	
			DRAWN	ELEC. DES. APP. MECH. DES. APP.
		HEAT TREAT. SPEC.	CHECKED	FINAL APPROVAL
		FINISH & SPEC. NO.		RW-108

ISSUE	ITEM	CHANGED FROM	DATE	CN. NO.	DRAFTS	CHECKER	ENG. APP.

TOLERANCES

SCALE FULL

ALL OTHERS
DEC. DIM. ±
FRAC. DIM. ±
ANGULAR DIM. ±

DRILL, PUNCH, COMMERCIAL STOCK
SIZES AND MANUFACTURERS
TOLERANCES ARE NOT INCLUDED.