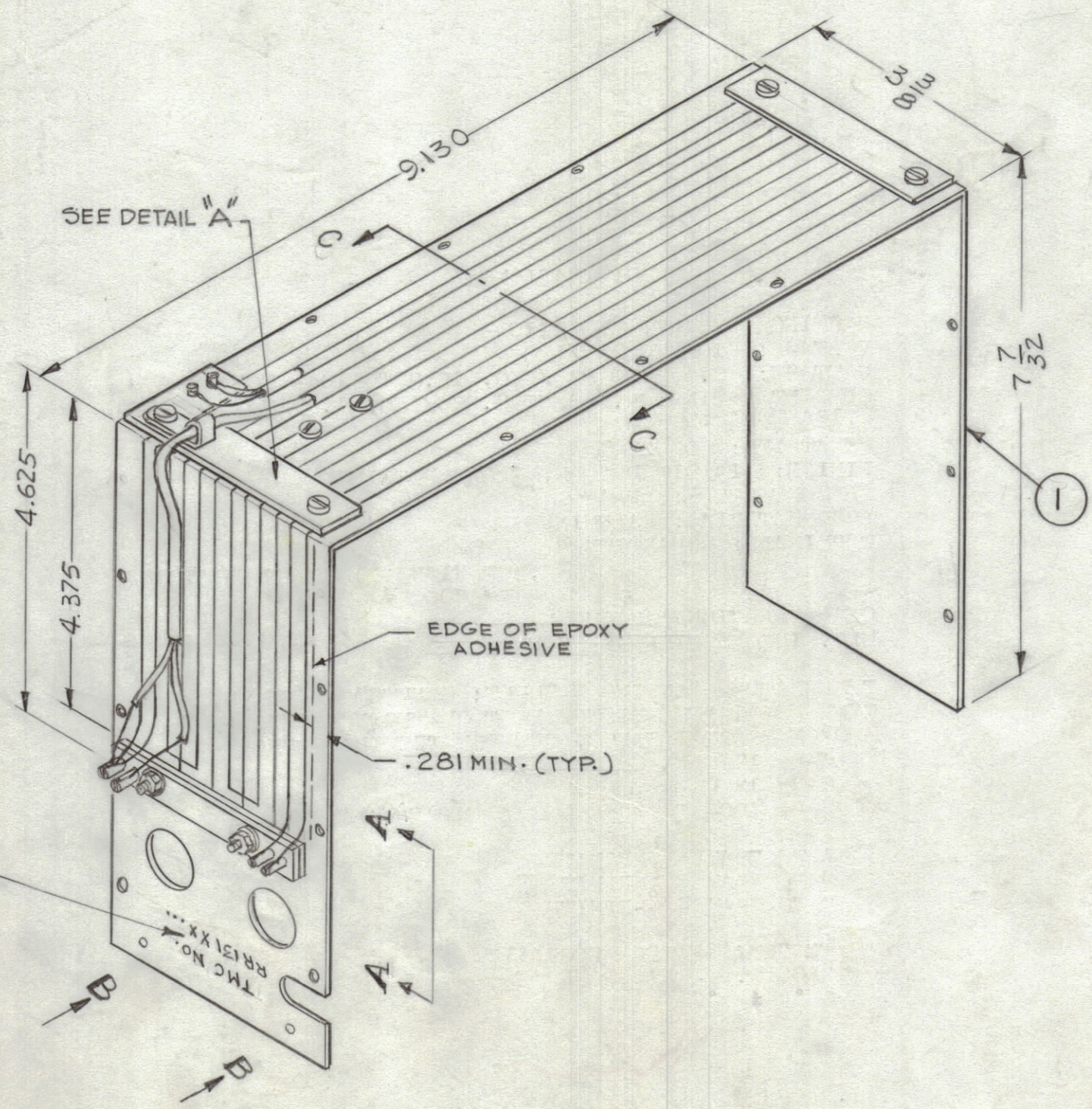
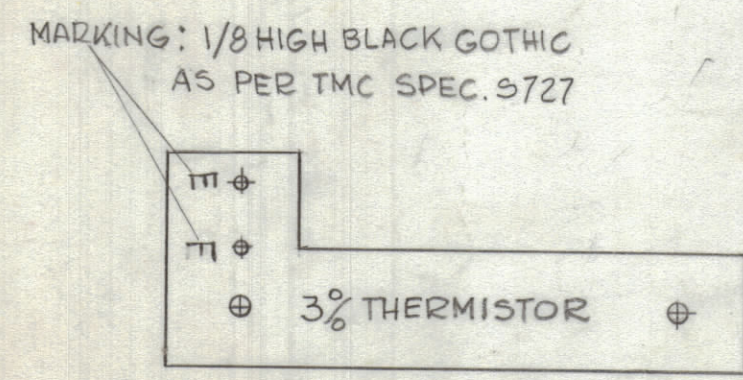
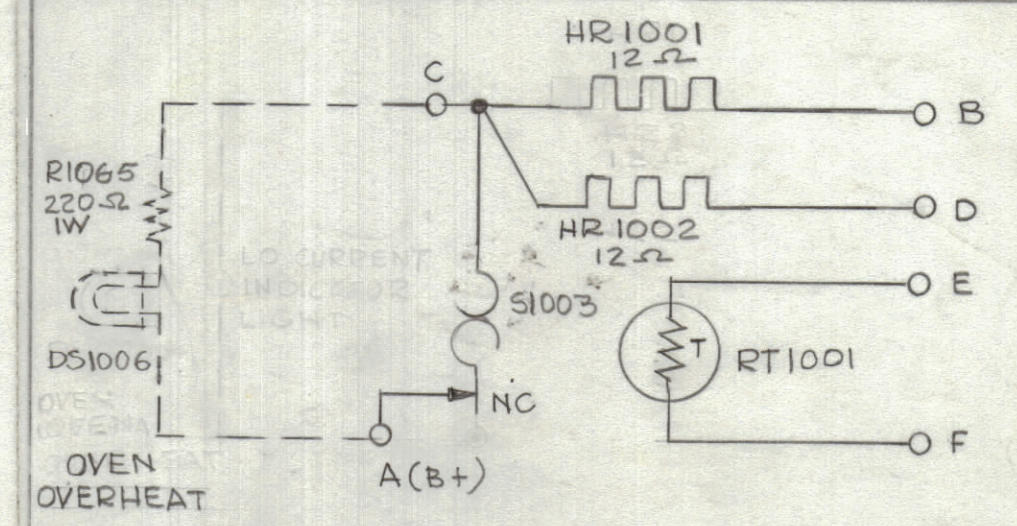
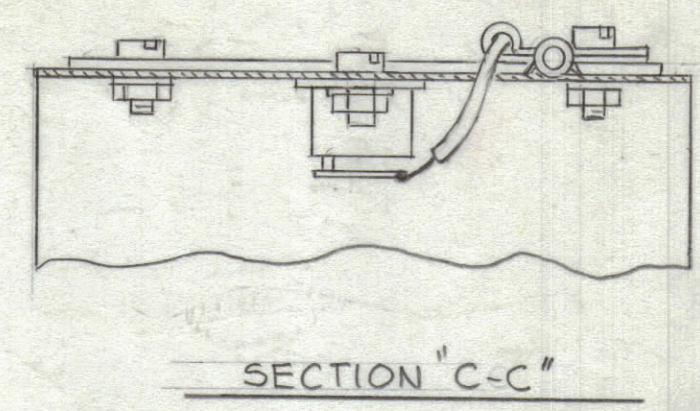


TMC PART NO.	TMC CONTROL NO. (TO BE STAMPED)	MFRS. CODE	MATCHING OVEN CONTROL
RR131	RR131XX210	S401-210	PO240XX210

REVISIONS					
ZONE	SYM	DESCRIPTION	DATE	E.M.N. NO.	APPD
A		REDRAWN & REVISED	7-24-64	11942	G DL



SPECIFICATIONS

- HEATING ELEMENT, ELECTRIC-
- VOLTAGE: 10V TO 25V/LEG.
- WATTAGE: 8.4 W TO 52W/LEG, 16.8 TO 104W TOTAL
- CURRENT RATING: 0.84A TO 2.08A/LEG, 1.68 TO 4.16A TOTAL.
- SHEATHING: EPOXY
- FINISH: IRIDITED FORM, EPOXY POTTING
- ELEMENT STYLE: FLAT LOOP
- FORM MATERIAL: ALUMINUM FORM
- TERMINALS: QUANTITY-6
- TYPE-SOLDER, (CT X1785-B)MTD ON SYNTHANE BOARDS

Q/A DIMENSIONS AS SHOWN
MFG. INFORMATION AS SHOWN.

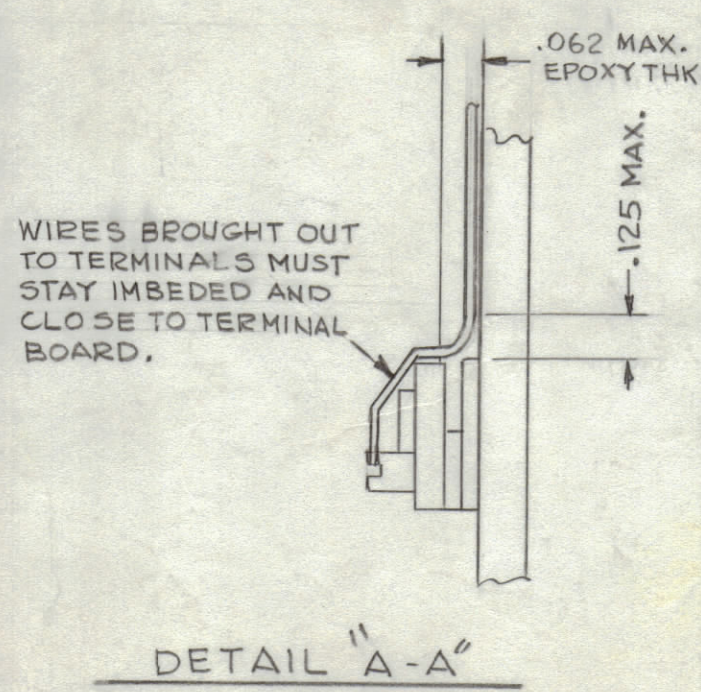
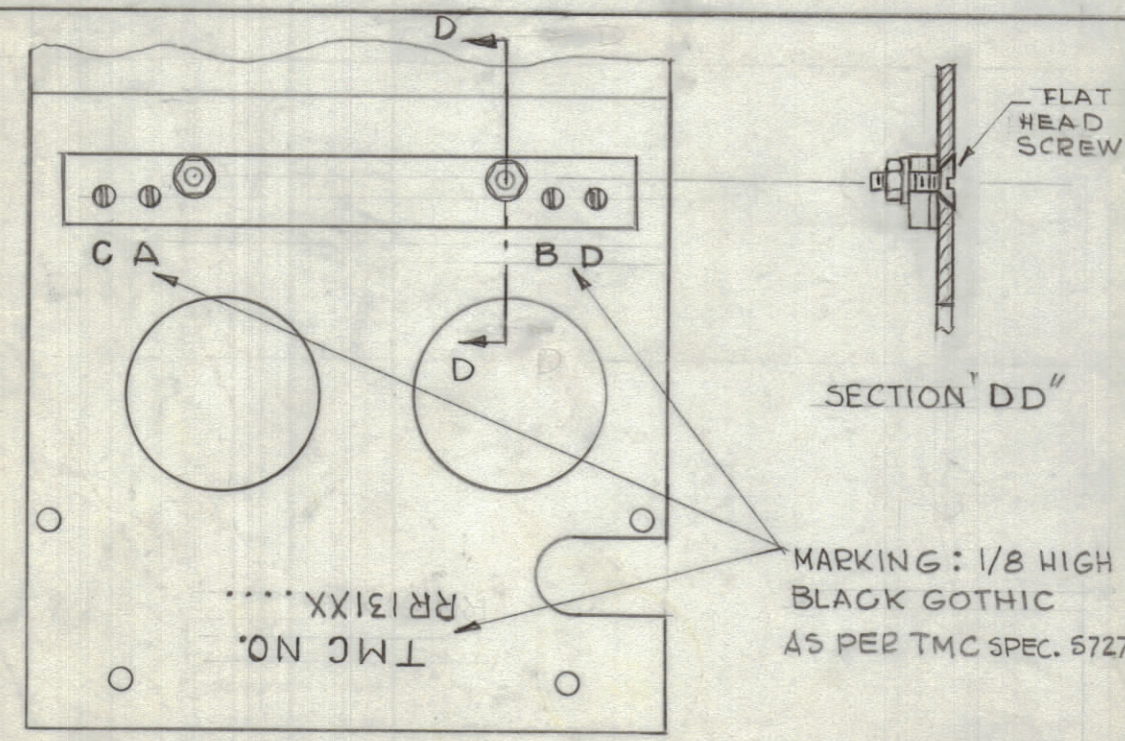
TEMPERATURE SENSING ELEMENT: MOUNTED AS SHOWN, TYPE #55A14 THERMISTOR VICTORY ENGINEERING.
APPROX DC RESISTANCE, BETWEEN TERMINALS SHOWN-

- C-B= 12 Ω
- C-D= 12 Ω
- E-F= 400K TO 600K Ω @ ROOM TEMPERATURE

A TO FRAME= INFINITE
C TO FRAME= INFINITE
E TO FRAME= INFINITE

A-C THERMAL SWITCH NORMALLY CLOSED. SHOULD OPEN AT 85°C ± 5°C

STAMP AS SHOWN
W/TMC CONTROL NO.
AS SHOWN IN CHART



— FOR TMC USE —
IMPORTANT

FOR SPARE PARTS, THIS ITEM MUST BE REPLACED WITH THE SAME TMC CONTROL NO. AS WAS ORIGINALLY IN THE EQUIPMENT.

SEE ERPL-RR131 FOR REPLACEABLE PARTS.

Q'TY./UNIT	MODEL USED ON	ASS'Y. NO.
SCALE	A	443093

THE CONTENTS OF THIS DRAWING ARE THE EXCLUSIVE PROPERTY OF THE TECHNICAL MATERIEL CORP. ITS UNAUTHORIZED USE OR REPRODUCTION IN WHOLE OR IN PART IS STRICTLY FORBIDDEN.

1	1	MS2871	CHASSIS, HEATING ELEMENT	
REQ'D.	ITEM	PART NUMBER	DESCRIPTION	SYMBOL
J. ANGER LIST OF MATERIAL				
MATERIAL			THE TECHNICAL MATERIEL CORP. MAMARONECK, NEW YORK	
FINISH			TITLE HEATING ELEMENT, ELECTRIC	
UNLESS OTHERWISE SPECIFIED DIMENSIONS ARE IN INCHES AND INCLUDE CHEMICALLY APPLIED OR PLATED FINISHES			DRAWN G.D.L.	DATE 7-24-64
DECIMALS X ± .05 XX ± .01 XXX ± .005			CHECKED @	DATE 7-31-64
TOLERANCES			ELECT. DES. J. Anger	DATE 7/27/64
FRACTIONS ± 1/64 ANGLES ± 0° 30'			MECH. DES.	DATE
			DATE	DATE
			DATE	DATE

NOTES

RR131A