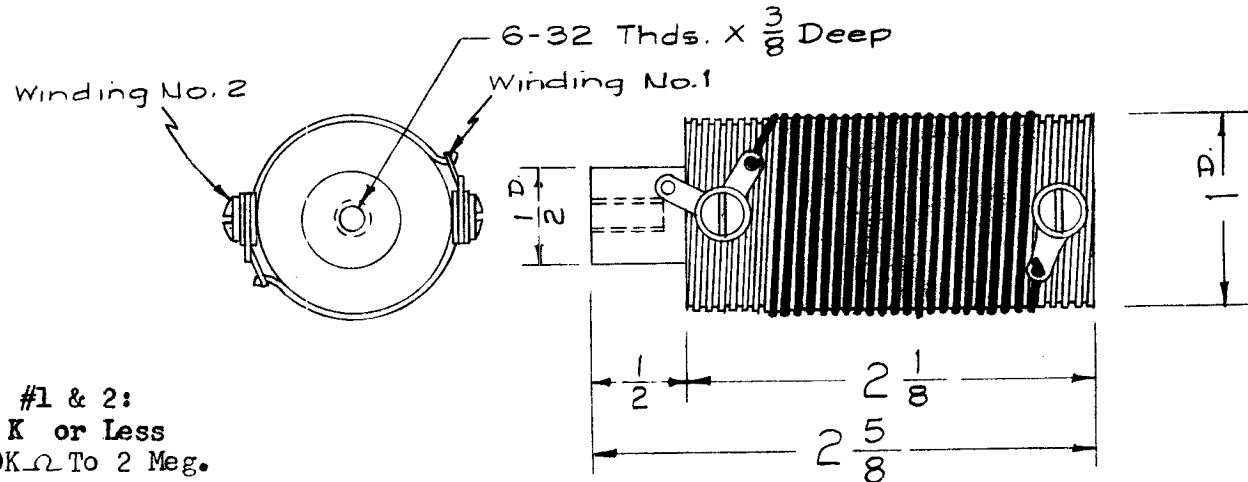


REQ. PER UNIT	USED ON		
	MODEL	ASS'Y. NO.	DATE
1	ATS-50TU		2-20-58
1	ATS-70TU		2-20-58

RR-123

A



Resistanc Between Winding #1 & 2:
 AT 100% HUMIDITY 10 K or Less
 AT 20% HUMIDITY 200K Ω To 2 Meg.
 FORM MATERIAL * POLYSTYRENE

CAUTION NOTE:

Caution Must Be Exercised To Prevent Foreign Materials Or Fingers From Coming In Contact With The Active Surface Of The Element. Failure To Observe This Note Will Destroy The Sensing Ability Of The Element.

Test As Per CK-360.

REQ.	ITEM	PART NO.	DESCRIPTION				SYMBOL
		//	THE TECHNICAL MATERIEL CORP. MAMARONECK, NEW YORK				
		//	HUMIDITY ELEMENT				
A	1	TEST SPEC. ADDED	6/17/58	1	CHK	JAR	JAR
ISSUE	ITEM	CHANGED FROM	DATE	CH. NO.	DRAFTS	CHECKER	ENG. APP.
TOLERANCES			SCALE:	4A-1508			
DEC. DIM. \pm			MAXIMUM ALLOWABLE TOLERANCES HAVE BEEN DETERMINED AND ANY DEVIATIONS WILL BE CAUSE FOR REJECTION.				
FRAC DIM. \pm			REMOVE ALL BURRS AND SHARP EDGES				
ANGULAR DIM. \pm			TYPE & TEMPER		HEAT TREAT. SPEC.	DRAWN	CHECKED
			//		//	6/20/58	JAR
			FINISH & SPEC. N .		ELEC. DES. APP.	MECH. DES. APP.	RR-123
							A

CUST. DWG.