

IF IT IS FOUND DESIRABLE TO CHANGE ANY TOLERANCE OR OTHER DETAIL SPECIFIED ON THIS DRAWING NOTIFY THE PURCHASER PROMPTLY.

# STANDARD DRAWING

RR-110B

MAXIMUM ALLOWABLE TOLERANCES HAVE BEEN DETERMINED AND DEVIATIONS WILL BE CAUSE FOR REJECTION. REMOVE ALL BURRS AND SHARP EDGES

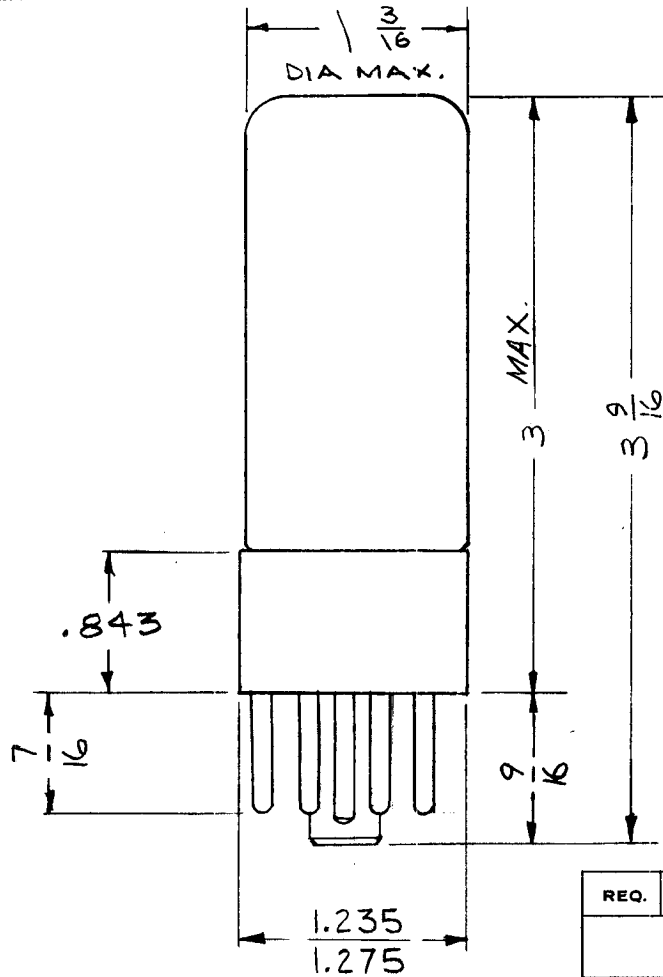
USED ON

MODEL

PROJECT NO.

ASS'Y. NO.

DATE



Specifications;

Supply voltage: 10.7 to 14.5 Volts

Desired on tubes: 6.2 to 6.4 Volts

Required on Amperite: 4.5 to 8.1 Vol

Current: .88 to .92 Amps.

Bulb: T9 Glass

Base: Intermediate Shell Octal, JETEC No. B6-8 (Pins 1,2, 5,7,8)

Base wiring pins: 2&7

Ref. Amperite 9-4A

REQ.	ITEM	PART NO.	DESCRIPTION	SYMBOL
			THE TECHNICAL MATERIEL CORP.	
			MAMARONECK. NEW YORK	
			RESISTOR, CURRENT REGULATING	
STOCK SIZE				
MATERIAL		WEIGHT PER PC.		
TYPE & TEMPER			M.H.S. 10/29/54	K2
HEAT TREAT. SPEC.			drawn	ELEC. DES. APP. MECH. DES. APP.
FINISH & SPEC. NO.			checked	FINAL APPROVAL

B	1	DWG UPDATED & REVISED	10/29/54	10/165	M.H.S.	K2	A.J.J.
A	1	SPECS. ADDED	10-29-54	1	M.H.S.	K2	A.J.J.
ISSUE	ITEM	CHANGED FROM	DATE	CN. NO.	DRAFTS	CHECKER	ENG. APP.

TOLERANCES			SCALE
ALL OTHERS	DEC. DIM. ±	FRAC. DIM. ±	ANGULAR DIM. ±
			DRILL, PUNCH, COMMERCIAL STOCK SIZES AND MANUFACTURERS TOLERANCES ARE NOT INCLUDED.

RR-110

B