

IF IT IS FOUND DESIRABLE TO CHANGE ANY TOLERANCE OR OTHER DETAIL SPECIFIED ON THIS DRAWING NOTIFY THE PURCHASER PROMPTLY.

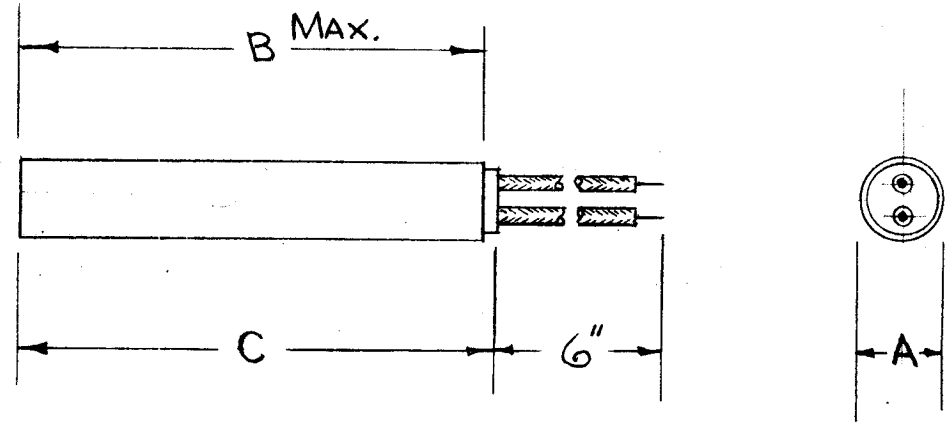
RELEASED

RR 102 C

MAXIMUM ALLOWABLE TOLERANCES HAVE BEEN DETERMINED AND DEVIATIONS WILL BE CAUSE FOR REJECTION. REMOVE ALL BURRS AND SHARP EDGES

Req. Per. UNIT	USED ON			
	MODEL	PROJECT NO.	ASS'Y. NO.	DATE
4	XFK		A-146	3/15/52
	LFA	109	A-146	9-20-52

TMC NO.	WATTS	OVERALL LENGTH	RECEPTACLE HOLE DIA. A	SHEATH LENGTH B	VOLT.
RR102-1	20	2 3/16	3/8	2 13/32	115 VAC



DIMENSIONS FOR REF. ONLY

NOTE
 CARTRIDGE IS BRASS
 LEADS ARE ASBESTOS COVERED
 STRANDED MANGANESE NICKEL AND
 ARE FLEXIBLE.

S401-411 (3A406A)
 S401-33 (C2X264)

ISSUE	ITEM	CHANGED FROM	DATE	CN. NO.	DRAFTS	CHECKER	ENG. APP.
C		UPDATED; 2 13/32 WAS 2 3/8	3-21-66	15975	HLA	JCB	JCB
B	1	VOLTAGE COLUMN ADDED	11-23-66	3553	M.F.	JCB	JCB
A	1	CAT. NO. WAS C-203 WATTS WAS 15 6" WAS 10"	8/18/52	1	C.D.D.	JCB	JCB

REQ. ITEM	PART NO.	DESCRIPTION	SYMBOL
		THE TECHNICAL MATERIEL CORP. MAMARONECK, NEW YORK	
	SEE NOTE	ELEMENT, HEATER	
		XTAL OVEN	
		C.D.D. 9-16-52	
		A.J.J.	
		W.D.C. 10-25	
		RR-102	C

TOLERANCES	SCALE FULL.
ALL OTHERS DEC. DIM. ± FRAC. DIM. ± ANGULAR DIM. ±	DRILL, PUNCH, COMMERCIAL STOCK SIZES AND MANUFACTURERS TOLERANCES ARE NOT INCLUDED.