

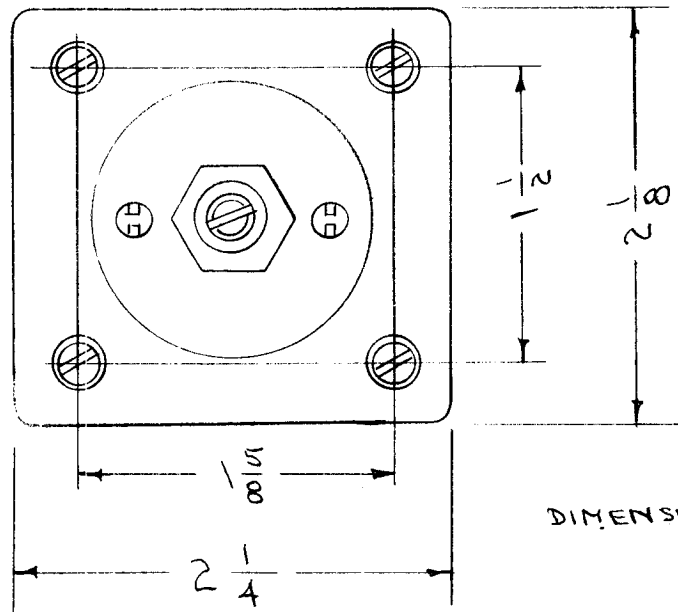
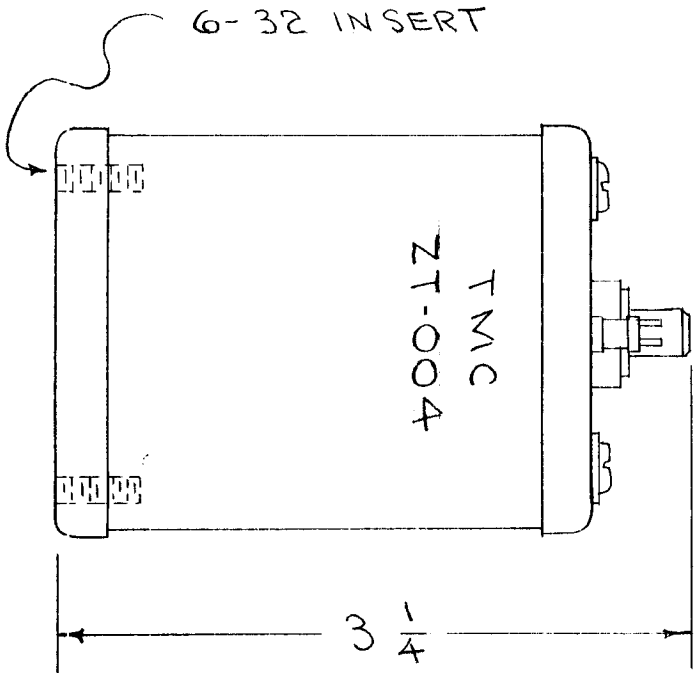
IF IT IS FOUND DESIRABLE TO CHANGE ANY TOLERANCE OR OTHER DETAIL SPECIFIED ON THIS DRAWING NOTIFY THE PURCHASER PROMPTLY.

RR-101

MAXIMUM ALLOWABLE TOLERANCES HAVE BEEN DETERMINED AND DEVIATIONS WILL BE CAUSE FOR REJECTION. REMOVE ALL BURRS AND SHARP EDGES

USED ON

MODEL	PROJECT NO.	ASS'Y. NO.	DATE
BAC-4-S-20	108	A-117	7/22/52
BAC-4-S-500	153	A-233	9/6/52



DIMENSIONS FOR REF. ONLY

- SPECIFICATIONS.**
- 1- CASE - STEEL
  - 2- TERM. BD. - PHENOLIC
  - 3- FILLER - PITCH

REQ.	ITEM	PART NO.	DESCRIPTION	SYMBOL
	#		THE TECHNICAL MATERIEL CORP. MAMARONECK, NEW YORK	
		STOCK SIZE	RESISTOR	
	#	#	ZT-004	
		MATERIAL		
		WEIGHT PER PC.		
		#		
		TYPE & TEMPER	C.D.D. 2-12-54	
		#		
		HEAT TREAT. SPEC.	DRAWN	ELEC. DES. APP.
			MECH. DES. APP.	
			CHECKED	FINAL APPROVAL
		5115 SM. GRAY ENAMEL	SUPERCEDES	RR-101
		FINISH & SPEC. NO.	ZT-004	

REDRAWN - NO CHANGE	2-12-54	C.D.D.	JAG	WDC
ISSUE	ITEM	CHANGED FROM	DATE	CN. NO.
TOLERANCES		SCALE 4A-1801		
ALL OTHERS	DEC. DIM. ±	DRILL, PUNCH, COMMERCIAL STOCK		
	FRAC. DIM. ±	SIZES AND MANUFACTURERS		
	ANGULAR DIM. ±	TOLERANCES ARE NOT INCLUDED.		