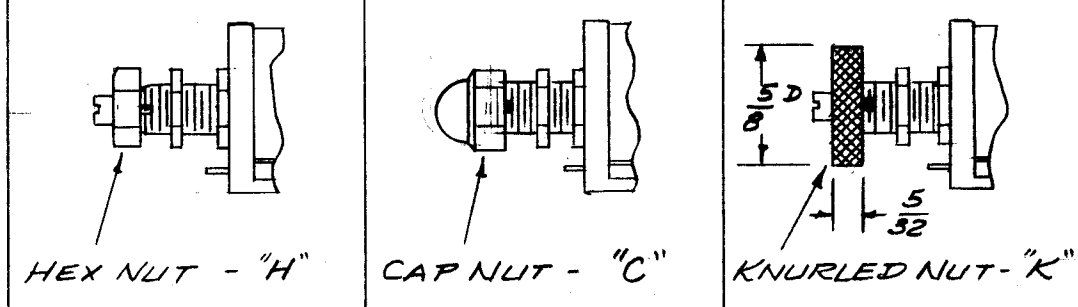
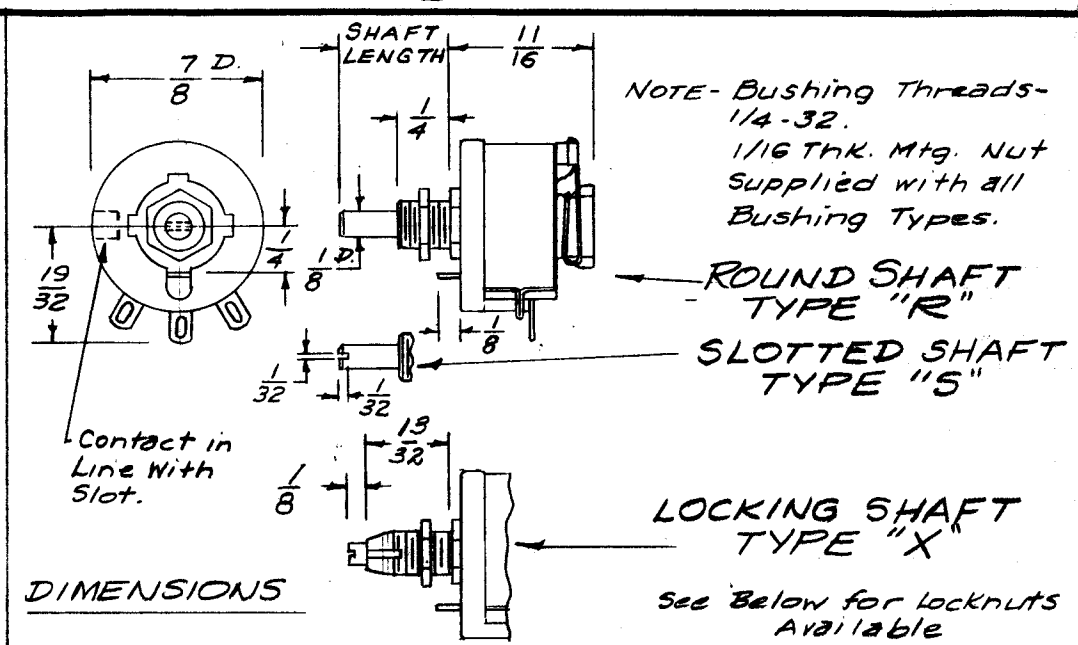


RP-100 D

# STANDARD DRAWING

**DIMENSIONS** - O/A Dimensions for all Types will be as shown at right, with the exception of Shafts & Bushings.

**RESISTANCE** - From .5 ohms to 10,000 ohms Max.  
**RES. TOL** -  $\pm 10\%$   
**MAX. HOT-SPOT TEMP.** -  $340^{\circ}\text{C}$ .  
**TAPER** - "A" (LINEAR)  
**WATTAGE** - 12.5 WATTS



**NOTICE TO PERSONS RECEIVING THIS DRAWING**

THE TECHNICAL MATERIEL CORPORATION claims proprietary right in the material disclosed hereon. This drawing is issued in confidence for engineering information only and may not be reproduced or used to manufacture anything shown hereon without permission from THE TECHNICAL MATERIEL CORPORATION to the user. This drawing is loaned for mutual assistance and is subject to recall at any time.

Property of:  
**THE TECHNICAL MATERIEL CORPORATION**  
 MAMARONECK, NEW YORK

**TYPE DESIGNATION TO BE AS FOLLOWS:-**

LOCKING SHAFT LENGTH WILL ALWAYS BE  $17/32"$ .  
 FOR LOCKING SHAFTS ONLY, THIS INSERT WILL DENOTE THE TYPE OF LOCKING NUT DESIRED.  
 H=HEX, C=CAP, K=KNURLED

RP100 R D 252 K

TMC DWG. NO.	TYPE OF SHAFT R=Round S=Slotted X=Locking (See Pictorial)	SHAFT LENGTH DESIRED FOR ROUND & SLOTTED SHAFTS ONLY. CODE LENGTH A 5/8" C 3/4" D 7/8"	RESISTANCE Last Digit Denotes No. of Zeros. 252=2500Ω Decimal Values will be as follows: 1R5=1.5Ω 5R5=5.5Ω	TOLERANCE K=±10% Tolerance Will Always Be ±10%
--------------	---	--	--	--

**LOCKING SHAFT NUTS AVAILABLE**

REF - OHMITE Model E

D	2	ON TYPE DESIGNATION - D DIM. 17/32 WAS 5/8.	1-3-	79	49			
C	1	ON SHAFT, TYPE "X" DIM. 1/8 WAS 7/32	10-26-60	3294				
B	1	7/32 WAS 1/8 & 1/32 WAS 1/2	11/8/58					
A	1	DESIGNATION CLARIFIED	12/1/58	468				
ISSUE	ITEM	CHANGED FROM	DATE	CH. NO.	DRAFTS	CHECKER	ENG. APP.	

TOLERANCES		SCALE:	
DEC. DIM. ±	FRAC. DIM. ±	MAXIMUM ALLOWABLE TOLERANCES HAVE BEEN DETERMINED AND ANY DEVIATIONS WILL BE CAUSE FOR REJECTION. REMOVE ALL BURRS AND SHARP EDGES	
ANGULAR DIM. ±		REQ. PER UNIT	USED ON

REQ. ITEM	PART NO.	DESCRIPTION	SYMBOL
<b>THE TECHNICAL MATERIEL CORP.</b> MAMARONECK, NEW YORK			
<b>RESISTOR, VARIABLE, WIRE WOUND,</b> <b>12.5 W</b>			
STOCK SIZE			
MATERIAL			
TYPE & TEMPER	HEAT TREAT. SPEC.	DRAWN	CHECKED
FINISH & SPEC. NO.		ELEC. DES. APP.	MECH. DES. APP.