

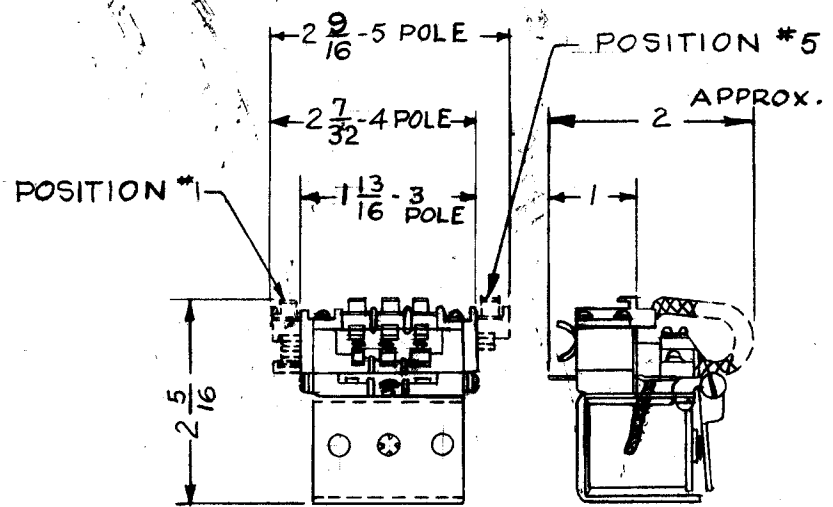
CHART I-COIL SPECIFICATIONS

SYMBOL	NOMINAL VOLTAGE(V)	PULL-IN CURRENT(A)	RES. (Ω)	PULL-IN (V)	OPER. TIME (SEC)	PULL-IN POWER(W)
A	115AC	.070	215	100	—	—
B	115DC	.015	5000	85	—	1.4W
C	220AC	—	150 ± 10%	175 ± 5%	—	—
D	10AC	.500	2.4 ± 10%	9	—	—
E	3AC	10	.01 ± 10%	3	—	—
F	6AC	1	.93 ± 10%	5	—	—
G	12 DC	.200	35	7.0	—	1.4
H	24AC	.390	9	22	—	—
I	32DC	.060	350 ± 10%	22	—	1.2W

REVISIONS						
SYM	DESCRIPTION	DATE	E.M.N. NO.	DRAFT	CHKD	APPD
X	EXPERIMENTAL RELEASE	6-1-64	X	A.M.		
Ø	ORIGINAL RELEASE FOR PRODUCTION	6-4-64	O	A.M.		
A	ON CHART II SYMBOL 5 ADDED	8.19.64	12125	JTB		
B	P/N HYPHENS DELE; CHART II, SYM. 2, CONT. POS. 5, WAS A13	11.13.65	13294	RL		
C	CHART (1) "G" ADDED; CHART (2) "G" ADDED; CHART "DO NOT USE" "USE" ADDED	3-22-65	13679	Phen		
D	CHART (1) SYMBOLS "H" & "I" ADDED	6/7/65	14157	E		
E	CHART (1) SYMBOL "H" CURRENT A, RES (Ω), PULL-IN (V), OPER TIME SEC, WAS .375, 37, 112, 1040	8/3/65	14469	E		
F	SPEC, CHTS 1 AND 2 REVISED	9/23/65	14899	M.V.		
G	SYM B-C14, C14, C14 ADDED	3-23-66	15991	RL		

CHART II - CONTACT FORM AND RATING*

SYMBOL	CONTACT POSITION				
	1	2	3	4	5
1	—	C 15	C 15	C 15	—
2	B 13	—	A 13	—	B 13
3	C 15	A 15	A 15	A 15	A 15
4	C 15	C 15	C 15	C 15	—
5	—	C 13	C 13	C 13	—
6	—	A 15	—	A 15	—
7	C 13	C 13	C 13	C 13	—
8	—	C 14	C 14	C 14	—



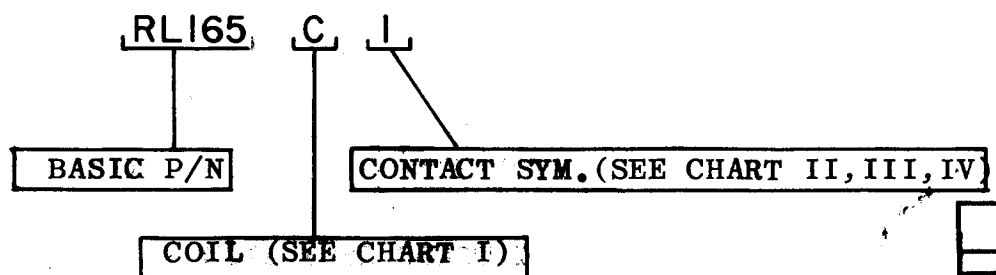
*CHART III - CONTACT FORMS		
CODE	TYPE	SCHEMATIC
A	SPST N.O.	
B	SPST N.C.	
C	SPDT	
X	DOUBLE BREAK-MAKE	
Y	DOUBLE BREAK	
Z	DOUBLE MAKE	

NOTE: ANY COMBINATION OF FORMS MAY BE SUPPLIED UP TO A MAXIMUM OF 5 POLES. NOTE THAT FORMS X, Y, AND Z TAKE 2 POLES.

SPECS: OPERATE TIME .016 TO .030 SEC.
RELEASE: 30% TO 50% OF PULL-IN
COILS SHALL BE IMPREGNATED & HAVE ANTI-FUNGUS TREATMENT.
COIL VOLTAGES AVAILABLE: UP TO 300 VDC OR 450 VAC.
COIL RESISTANCES AVAILABLE: UP TO 12,000 Ω.
COIL CAPABLE OF 6 WATT DISSIPATION.

PART NO. EXAMPLE
220VAC RELAY WITH 3 FORM "C" CONTACTS IN POSITIONS #2, 3, AND 4.
RATED AT 25 AMPS AT 125 VAC.

TMC PART NO. SHALL BE IN THE FOLLOWING FORM:



DO NOT USE	USE
RL165B2	RL113
B3	RL114
C4	RL124
D4	RL134
E4	RL136
F4	RL137

Q'TY./UNIT	MODEL USED ON	ASS'Y. NO.
#	C S401-3 (33B)	

THE CONTENTS OF THIS DRAWING ARE THE EXCLUSIVE PROPERTY OF THE TECHNICAL MATERIEL CORP. ITS UNAUTHORIZED USE OR REPRODUCTION IN WHOLE OR IN PART IS STRICTLY FORBIDDEN.

*CHART IV- CONTACT RATING		
CODE	MATERIAL	RATING
13	SILVER	10 AMPS @ 125VAC
14	SILVER	20 AMPS @ 125VAC
15	SILVER-CADMIUM	25 AMPS @ 125VAC
31 †	TUNGSTEN	25 AMPS @ 250VAC

† AVAILABLE ON FORM A OR B ONLY (SEE CHART III).

REQ'D.	ITEM	PART NUMBER	DESCRIPTION	SYMBOL

LIST OF MATERIAL

THE TECHNICAL MATERIEL CORP.
MAMARONECK, NEW YORK

RELAY, ELECTROMAGNETIC

DRAWN	DATE	FINAL APPROVAL	DATE
A. MARINO	6-1-64	RL	
CHECKED	6-4-64		
ELECT. DES.	6-5-64	RL 165	G
MECH. DES.			

UNLESS OTHERWISE SPECIFIED DIMENSIONS ARE IN INCHES AND INCLUDE CHEMICALLY APPLIED OR PLATED FINISHES

NOTES