

COIL RATINGS			
CODE	VOLTAGE VDC	CURRENT ADC	RESISTANCE Ω
13	13	.051	258
6	5.5	.132	41.6

CONTACT ARRANGEMENT	
CODE	TYPE
2C	2 FORM C

SYM	DESCRIPTION	DATE	E.M.N. NO.	DRAFT	CHKD	APPD
X	EXPER. RELEASE	12-1-64		G.D.L.		
Ø	ORIGINAL RELEASE FOR PRODUCTION	12-10-64	Ø	J.L.		
A	CLERICAL CHANGE	3-22-65	→	John - JCB		

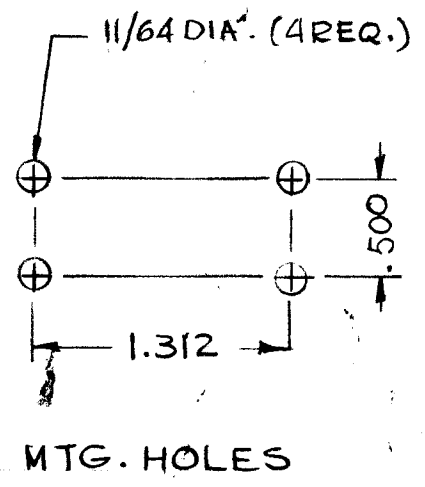
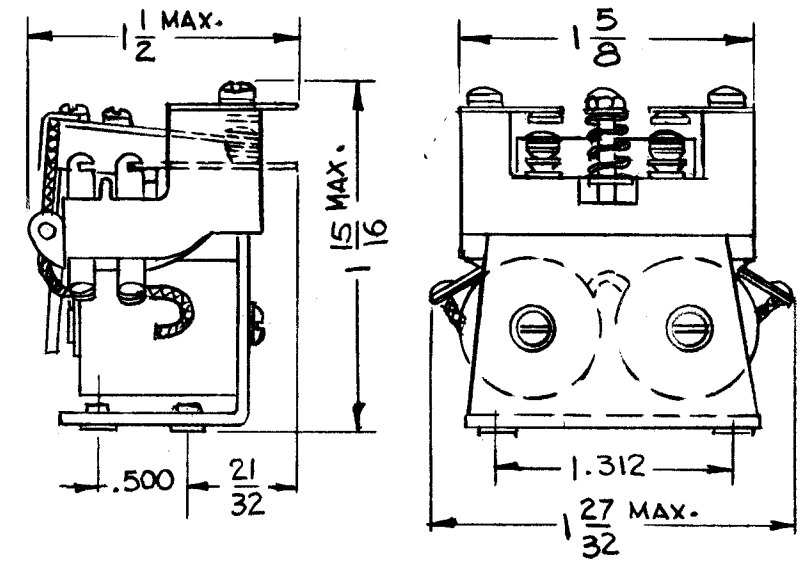
RL161

**SPECIFICATIONS**

**CONTACT DATA**  
 ARRANGEMENT: SEE CHART  
 ELECTRICAL RATINGS (RESISTIVE):  
 AC-110V, 60-400 cps 10 AMPS  
 DC-26.5V, 10 AMPS  
 DIELECTIC: MOLDED BAKELITE  
 MATERIAL: FINE SILVER  
 RESISTANCE: 0.03 - 0.05Ω APPROX. AT 10 AMPS

**COIL DATA**  
 NO. OF WINDINGS: TWO (2)  
 TYPE: SOLENOID  
 CURRENT: SEE CHART  
 VOLTAGE: SEE CHART  
 RESISTANCE: SEE CHART  
 DIELECTRIC: CELLULOSE ACETATE

**TERMINAL DATA**  
 QUANTITY: SIX (6) FOR CONTACTS  
 TWO (2) FOR COIL  
 OPERATING TIME: NOT RATED  
 RELEASE TIME: NOT RATED  
 OPERATING TEMPERATURE RANGE: -55°C TO +85°C  
 ARC QUENCHING: NONE  
 NARM RATING: 1.3.4.3.2



TMC PART NUMBER SHALL BE IN THE FOLLOWING FORM:



**STANDARD DRAWING**

Q'TY./UNIT	MODEL USED ON	ASS'Y. NO.
DO NOT SCALE	CODE C	S401-227 (BOY)

THE CONTENTS OF THIS DRAWING ARE THE EXCLUSIVE PROPERTY OF THE TECHNICAL MATERIEL CORP. ITS UNAUTHORIZED USE OR REPRODUCTION IN WHOLE OR IN PART IS STRICTLY FORBIDDEN.

REQ'D.	ITEM	PART NUMBER	DESCRIPTION	SYMBOL
<b>LIST OF MATERIAL</b>				
MATERIAL		THE TECHNICAL MATERIEL CORP., MAMARONECK, NEW YORK		
FINISH		TITLE RELAY, GENERAL PURPOSE		
UNLESS OTHERWISE SPECIFIED DIMENSIONS ARE IN INCHES AND INCLUDE CHEMICALLY APPLIED OR PLATED FINISHES		DRAWN G.D.L.	DATE 12-1-63	FINAL APPROVAL [Signature]
DECIMALS .X ± .05 .XX ± .01 .XXX ± .005		CHECKED @	DATE 12-9-64	DATE
FRACTIONS ± 1/64 ± 0° 30'		ELECT. DES.	DATE	RL161
TOLERANCES		MECH. DES.	DATE 12-9-64	A
			SHEET	REV. LTR.

**NOTES**