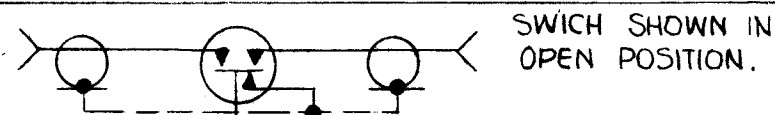


RL-155 A

THE CONTENTS OF THIS DRAWING ARE THE EXCLUSIVE PROPERTY OF THE TECHNICAL MATERIEL CORP. ITS UNAUTHORIZED USE OR REPRODUCTION IN WHOLE OR IN PART IS STRICTLY FORBIDDEN.

SPECIFICATIONS:

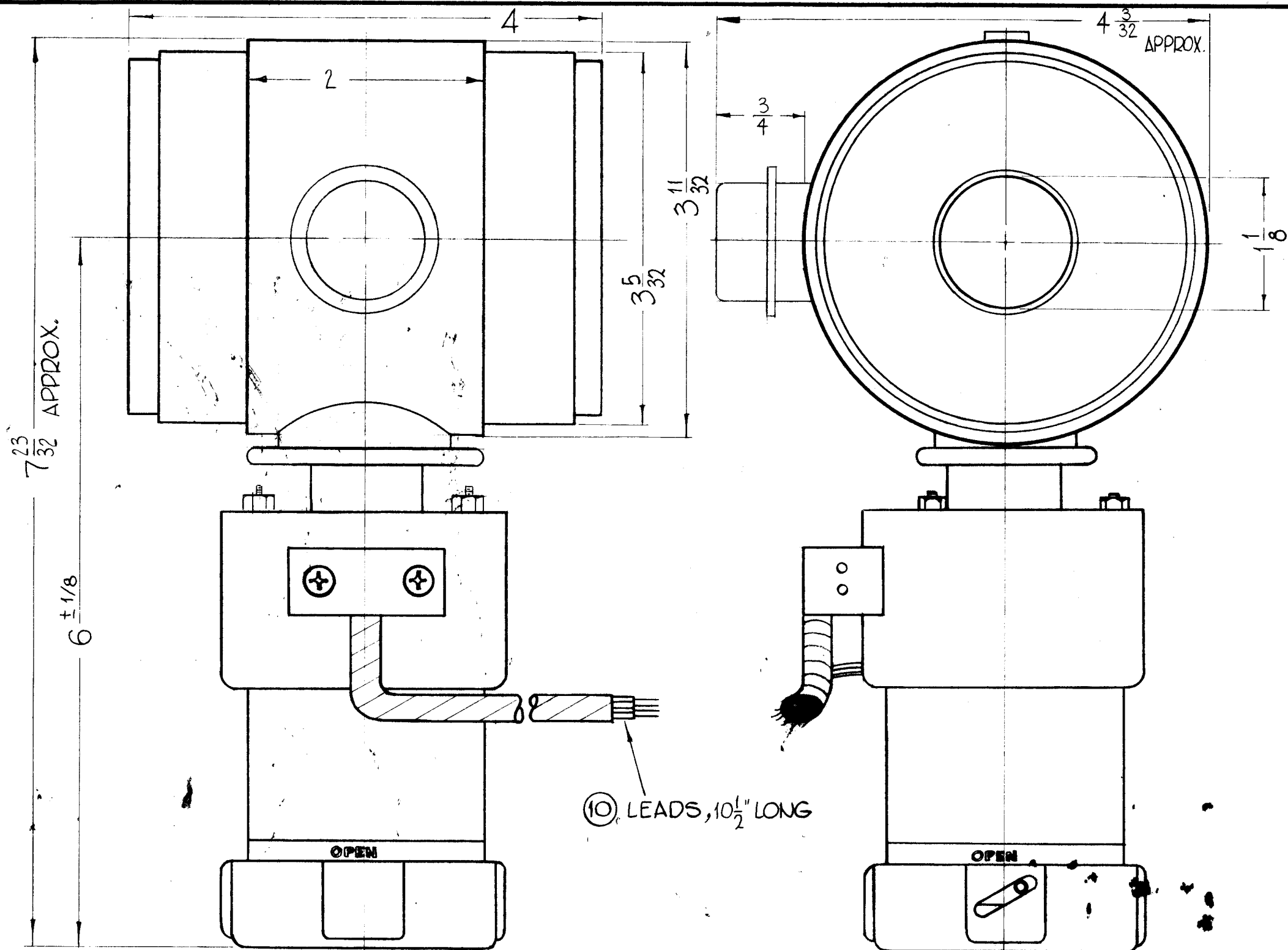
- CONTACT CONFIGURATION: SPST
- FREQUENCY RANGE: 0 TO 100 MC.
- CHARACTERISTIC IMPEDANCE - 50 OHMS
- VSWR: 30 MC - 1.02 MAXIMUM
60 MC - 1.05 MAXIMUM.
- CROSSTALK - GREATER THAN 60 DB
- ISOLATION AT 60 MC.
- TIME TO ACTUATE - 30 MILLISECONDS MAXIMUM.
- CONTACT CONFIGURATION - DPDT
- 115/230 VAC - 60 CYCLES - 7 AMPS (RESISTIVE)
- ACTUATING VOLTAGE - 26.5 VDC
- OPENING COIL RESISTANCE - 20.3 OHMS
- CLOSING COIL RESISTANCE - 18.7 OHMS
- MAX. AVERAGE WATTAGE - 3 WATTS



SWICH SHOWN IN OPEN POSITION.

- S2 - YELLOW
- ORANGE
- BROWN
- S3 - WHITE
- RED
- BLUE
- L1 - WHITE-BLACK
 OPEN 26.5 VDC
- + WHITE-RED
- + WHITE-GREEN
- L2 - CLOSE 26.5 VDC
 - WHITE-ORANGE

— SCHEMATIC DIAGRAM —



NOTE:
ALL DIM ARE FOR REF ONLY.

A	COIL RES. 20.3 WAS 18.3 & 18.7 WAS 7.7	1/21/70	19722	H. AD	1/18	
O	ORIGINAL RELEASE FOR PRODUCTION	5/28/64	0	A.M.		
X2	10 1/2" LEADS WERE 18" LONG	10-24-63				
SYM	DESCRIPTION	DATE	CH. NO.	DRAFTS	CHECKER	ENG. APP.

UNLESS OTHERWISE SPECIFIED:
DIMENSIONS ARE IN INCHES
TOLERANCES ON FRACTIONS ± 1/64 DECIMALS ± .005 ANGLES ± 1/2°

SCALE: S401-48 (DC10A5225A24)
MAXIMUM ALLOWABLE TOLERANCES HAVE BEEN DETERMINED AND ANY DEVIATIONS WILL BE CAUSE FOR REJECTION.
REMOVE ALL BURRS AND SHARP EDGES

3	GPT200K	AX-392	A-2751	5-10-63
REQ. PER UNIT	MODEL	SECTION	ASS'Y. NO.	DATE
	USED ON			

REQ. ITEM	PART NO.	F. BUDETTI	DESCRIPTION	SYMBOL
STOCK SIZE		THE TECHNICAL MATERIEL CORP., MAMARONECK, NEW YORK		
MATERIAL		RELAY, VACUUM, COAXIAL SPST 3-1/8		
TYPE & TEMPER		John C Biele	AA	RJC
HEAT TREAT. SPEC.		DRAWN	CHECKED	FINAL APPROVAL
FINISH & SPEC. NO.		OB	AA	RL-155 A
		ELEC. DES. APP.	MECH. DES. APP.	