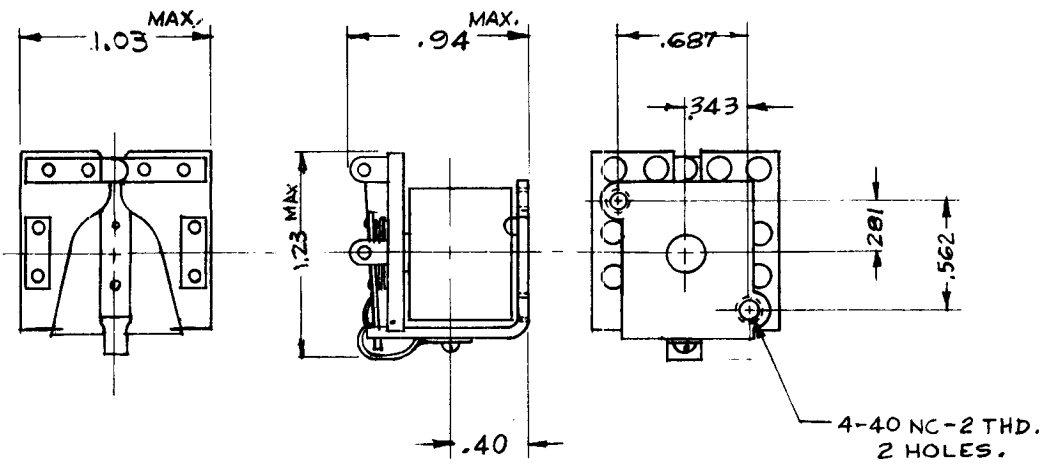


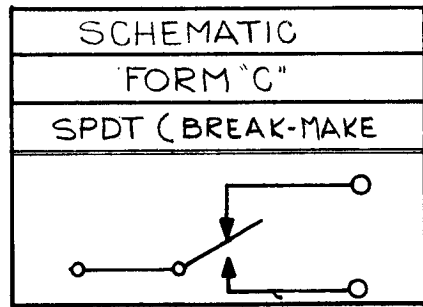
THE CONTENTS OF THIS DRAWING ARE THE EXCLUSIVE PROPERTY OF THE TECHNICAL MATERIEL CORP. ITS UNAUTHORIZED USE OR REPRODUCTION IN WHOLE OR IN PART IS STRICTLY FORBIDDEN.

REQ. PER UNIT	USED ON		
	MODEL	ASS'Y. NO.	DATE
1	HFR-1/N		1/22/62

RL-145 B



NOTES;  
 RATING: a. 3 AMPERES, 26 VDC RESISTIVE  
 b. 5 AMPERES, MAXIMUM,  
 COIL: a. 6VAC  
 b. CONTINUOUS DUTY  
 c. WITHSTANDS 95% HUMIDITY,  
 d. LUGS FOR COIL TERMINALS,  
 VIBRATION & SHOCK:  
 a. 10G, 5-55CPS OPERATING.  
 b. 50G. NON OPERATING  
 WEIGHT: 1.25 OUNCES  $\approx$   
 AMBIENT TEMPERATURE RANGE;  
 -65° TO +70°C



REQ.	ITEM	PART NO.	DESCRIPTION	SYMBOL	
			THE TECHNICAL MATERIEL CORP. MAMARONECK, NEW YORK		
B	DIM. 1.03 MAX. WAS .103 MAX	3-4-63 833Z	STOCK SIZE		
A	SCHEMATIC ADDED	7-11-62 7324	MATERIAL		
SYM	DESCRIPTION	DATE	CH. NO.	DRAFTS	
			CHECKER	ENG. APP.	
UNLESS OTHERWISE SPECIFIED: DIMENSIONS ARE IN INCHES TOLERANCES ON FRAC. $\pm$ 1/64 DEC. $\pm$ .005 ANGLES $\pm$ 1/2°		SCALE: 5401-146 (5300-13)			
		MAXIMUM ALLOWABLE TOLERANCES HAVE BEEN DETERMINED AND ANY DEVIATIONS WILL BE CAUSE FOR REJECTION. REMOVE ALL BURRS AND SHARP EDGES			
		TYPE & TEMPER	HEATTREAT. SPEC.	DRAWN	
				CHECKED	
		FINISH & SPEC. NO.	ELEC. DES. APP.	MECH. DES. APP.	
				BP	
				RL-145 B	