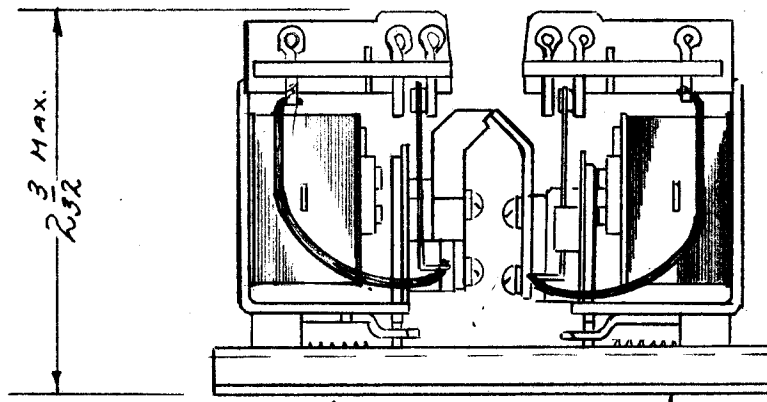
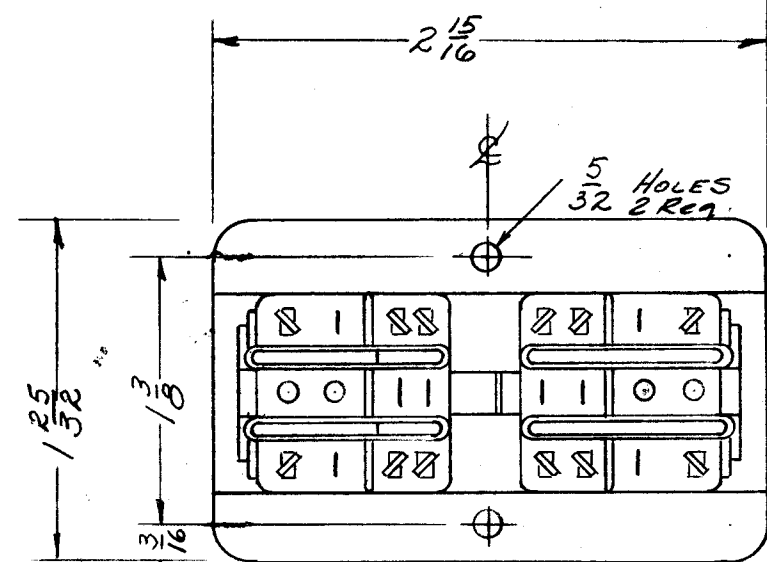


RL-121 B



COIL NO. 1 COIL NO. 2

Pictorial Shows #17 (4PDT) Arrangement

CONTACT ARRANGEMENT

CODE	CONTACT	CODE	CONTACT	CODE	CONTACT	CODE	CONTACT
1	SPSTNO	7	DPSTNO	13	3PSTNC	19	5PSTNC
2	SPSTNC	8	DPSTNC	14	3PDT	20	5PDT
3	SPSTNO DB	9	DPSTNO DB	15	4PSTNO	21	6PSTNO
4	SPSTNC DB	10	DPSTNC DB	16	4PSTNC	22	6PSTNC
5	SPDT	11	DPDT	17	4PDT	23	6PDT
6	SPDT DB	12	3PSTNO	18	5PSTNO		

S=Single, D=Double, P=Pole, T=Throw, N=Normally, O=Open, C=Closed, B=Break

"A" - AC COILS (50/60 CPS)

CODE	VOLTS	RES. OHMS	AVERAGE AC CURRENT (MA)
1	6	2.3	850
2	12	10	425
3	24	42	210
4	115	1030	44
5	230	4100	22

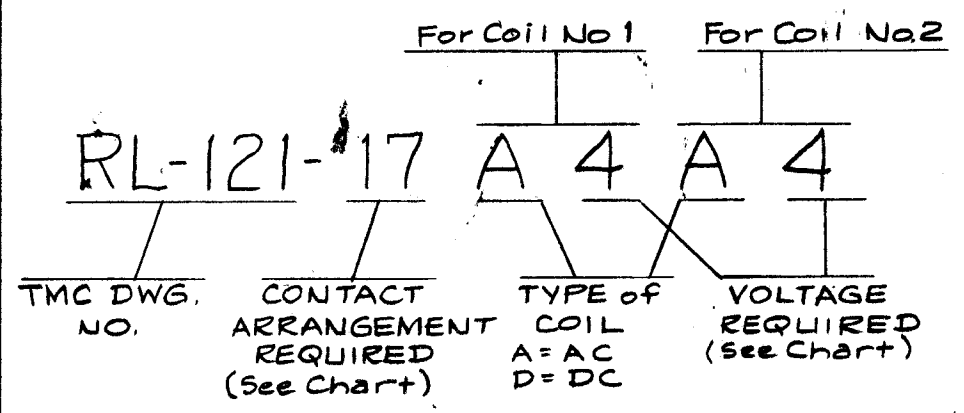
"D" - DC COILS & 5 & 6 POLE RELAYS

CODE	VOLTS	RES. OHMS	AVERAGE DC CURRENT (MA)
1	6	13.1	450
2	12	52	230
3	24	230	104
4	110	4560	24
-	220	USE 110V Relay with 5K ohm, 5W. Res. in Series	

AC COILS FOR 5 & 6 POLE RELAYS

CODE	VOLTS	RES. OHMS	AVERAGE AC CURRENT (MA)
1	6	1.8	1.300
2	12	7.2	650
3	24	27	325
4	115	700	68
5	230	2750	34

Type Designation to be as follows:



SPECIFICATIONS:

CONTACTS - Fine Silver, 5amp at 115 VAC Non-Ind. (Stationary Contact molded in Phenolic)

CONTACT ARRANGEMENT - As Per Chart

CONTACT BREAKDOWN - 1500V. RMS

COIL POWER REQ'D. - 2.5 W Min, 4 W. Max.

TEMP. RANGE - 45° to 85° C.

ALL AC COILS RATED FOR INTERMITTENT DUTY ONLY.

CAN BE FURNISHED WITH SPECIAL COILS FOR CONTINUOUS DUTY.

Purchasing Info.

Ordering with Mfg. No. *

KB 17 A Y NOTE - "Y" will be on 17A & 20A only. Series Contacts A=AC, D=DC Appr. by Underwriters

REF.: POTTER & BRUMFIELD SERIES KB

ISSUE	ITEM	CHANGED FROM	DATE	CH. NO.	DRAFTS	CHECKER	ENG. APP.
B	1	LATCH WAS METAL	4.15.64	11217	NTB	WDR	JC
A	1	chart added	4/29/59	1	JCB	WDR	JC

TOLERANCES SCALE: DEC. DIM. ±, FRAC. DIM. ±, ANGULAR DIM. ±

MAXIMUM ALLOWABLE TOLERANCES HAVE BEEN DETERMINED AND ANY DEVIATIONS WILL BE CAUSE FOR REJECTION. REMOVE ALL BURRS AND SHARP EDGES

REQ. PER UNIT	MODEL	PROJECT NO.	ASS'Y. NO.	DATE

USED ON

REQ. ITEM	PART NO.	DESCRIPTION	SYMBOL
		THE TECHNICAL MATERIEL CORP. MAMARONECK, NEW YORK	
		RELAY, ARMATURE, DUAL, LOCKING (115 VAC)	
		TG 9/17/58 LG	
		DRAWN CHECKED FINAL APPROVAL	
		FINISH & SPEC. NO. ELEC. DES. APP. MECH. DES. APP.	RL-121 B