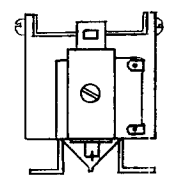
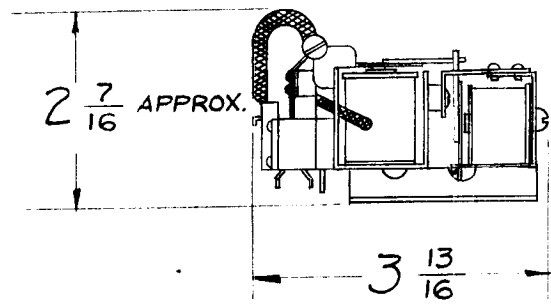
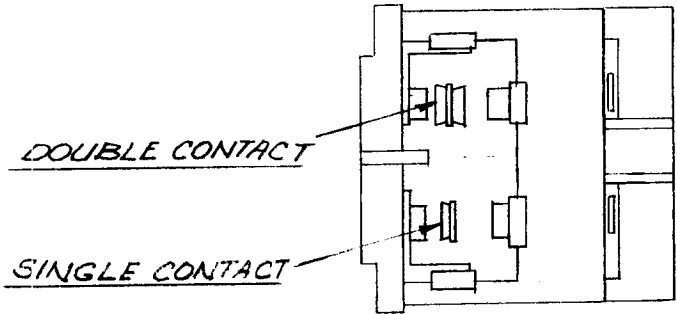
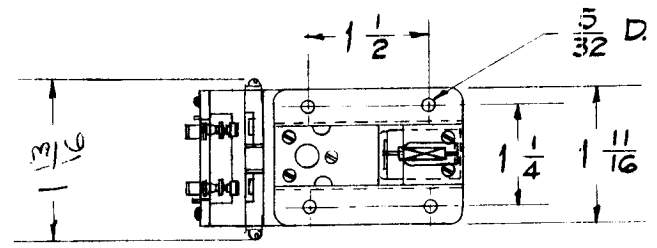


REQ. PER UNIT	USED ON			RL-119	Ø
	MODEL	ASS'Y. NO.	DATE		

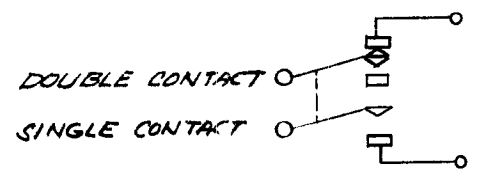


CONTACT ASSY.:
1A, 1C Code 13
Rating 15 Amps.

COIL RATINGS:
Latch Coil: 6.2V, 60 CPS.
Unlatch Coil: 7.0 VDC.



DETAIL OF CONTACTS



SCHEMATIC SHOWN IN UNLATCHED POSITION.

Ref. Philips Control Corp. Part #33BLA37B1

REQ.	ITEM	PART NO.	DESCRIPTION	SYMBOL					
		—//—	THE TECHNICAL MATERIEL CORP. MAMARONECK, NEW YORK						
		STOCK SIZE	LATCH, RELAY 2 POLE						
		—//—	P/O GPT						
		MATERIAL							
Ø	ORIGINAL RELEASE	7/29/67	9-27-57	7/26/67					
ISSUE	ITEM	CHANGED FROM	DATE	CH. NO.	DRAFTS	CHECKER	ENG. APP.		
TOLERANCES		SCALE:							
DEC. DIM. ±		MAXIMUM ALLOWABLE TOLERANCES HAVE BEEN DETERMINED AND ANY DEVIATIONS WILL BE CAUSE FOR REJECTION.							
FRAC. DIM. ±		REMOVE ALL BURRS AND SHARP EDGES							
ANGULAR DIM. ±									
		TYPE & TEMPER	HEAT TREAT. SPEC.	DRAWN	CHECKED	FINAL APPROVAL			
		—//—	—//—	MP		RL-119			
		FINISH & SPEC. NO.	ELEC. DES. APP.	MECH. DES. APP.					