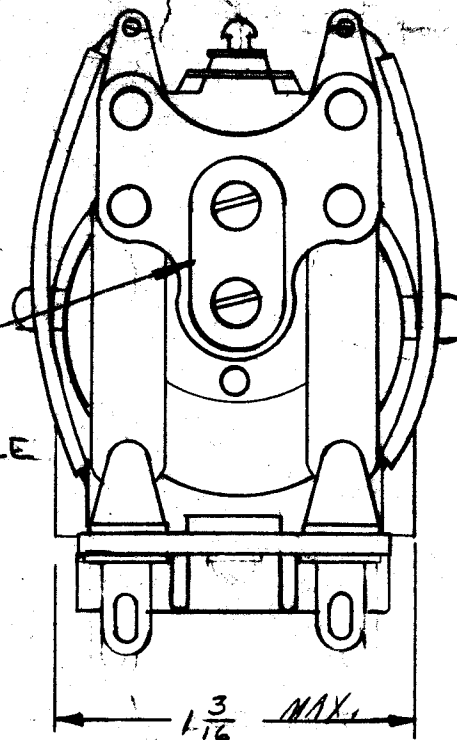
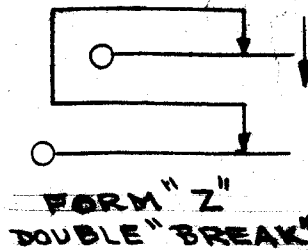
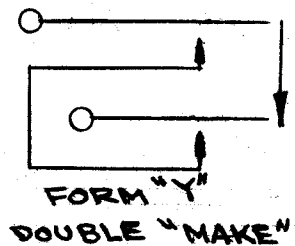
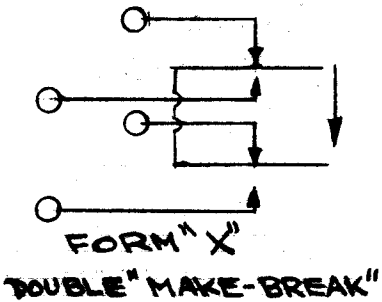
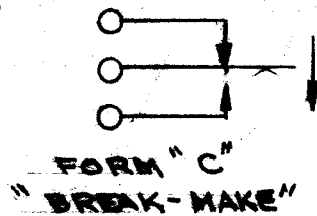


RL 116

CIRCUITS AVAILABLE 1C THRU 3C
1X, 1Y OR 1Z



STANDARD DRAWING

COIL
EITHER AC OR DC
AC - 6 TO 230 VOLTS
DC - 6 TO 110 " , 125

CONTACTS
5 AMP. 115V. NON-INDUCTIVE
1C THRU 5C (DC), 1C THRU 4C (AC)
1X, 1Y OR 1Z

NOTE: UNUSED TERMINALS NEED NOT
BE SUPPLIED.

FOR 10 AMP CONTACTS SEE RL144.
DESIGN OF BARRIER OPTIONAL.
NARM REF. # 1.3.4.3.2

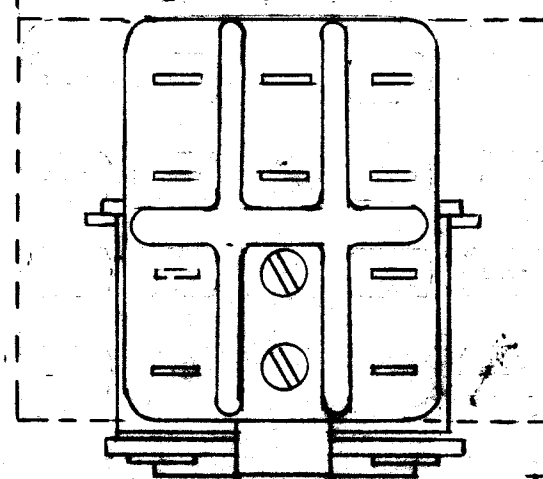
DC
COIL

OPER VOLT SYM	E VOLTS	W	NOM.	R APPROX.
006	6-6.8	1.13		28 Ω
012	12-13.6	1.2		105 Ω
024	24-28	1.12		460 Ω
048	48			1500 Ω
115	110-120	1.2		9,000 Ω
125	125			11,000 Ω

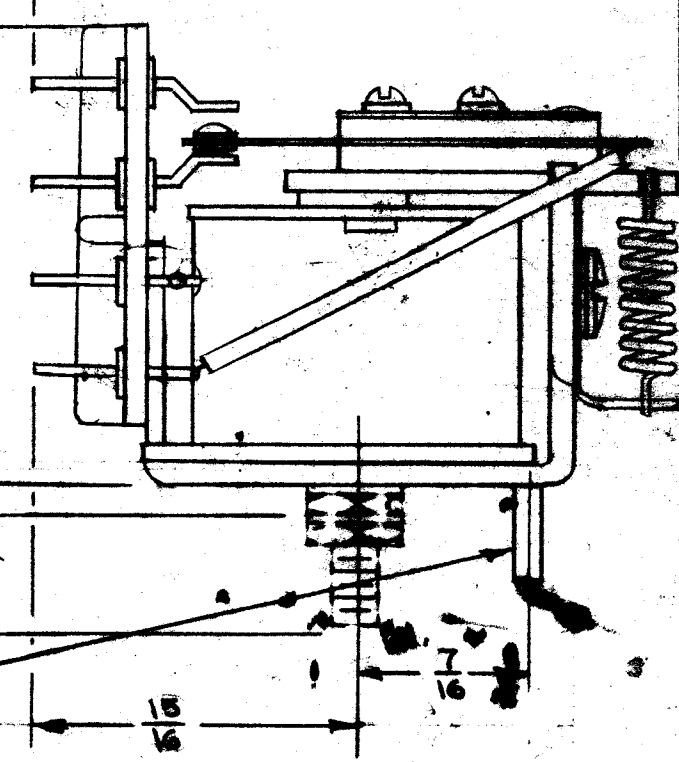
AC
COIL

OPER VOLT SYMBOL	E	VA NOM.	R APPROX.
006	6-6.8	1.7	4.6
012	12-13.6	1.6	20
115	110-120	1.9	1,800

1 3/8 MAX (4 OR 5 POLE)



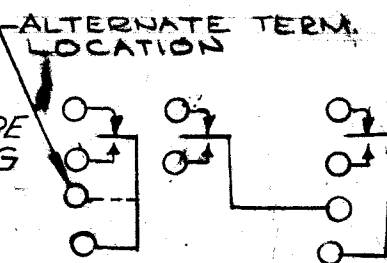
27
32 MAX.



NOTE: WHEN RL116DC4C125A IS SUPPLIED AS A SPARE PART,
MOUNTING PLATE MS1576 MUST BE INCLUDED.
TYPE DESIGNATION TO BE IN FOLLOWING FORM

RL 116 DC 3 C 115 A

TYPE CURRENT NO. OF FORM OPERATING *TYPE
AC OR DC FORMS TYPE VOLTAGE MTG



6-32 MTG. STUD.
OR
6-32 TAPPED HOLE

RELAY MAY BE SUPPLIED WITH OR
WITHOUT LOCATING TAB. WHEN
TAB IS USED, A 3/16 CLEARANCE
HOLE IS REQ'D.

WIRING DIAGRAM
(UNENERGIZED)
VIEWED FROM
TERMINAL END

* NO LETTER INDICATES MTG. STUD 6-32
A = 6-32 TAPPED HOLE

FOR PURCHASING ONLY
S401-3 (GHA) S401-399 (PA)

ISSUE	ITEM	CHANGED FROM	DATE	CH. NO.	DRAFTS	CHECKER	ENG. APP.
G		125 VOLT, DC ADDED	9-9-75	21289		Edk	OK
F		REVISED & UPDATED	7/7/69	19497		GE	FB
E		REVISED & UPDATED	1/3/69	19178A		LSH	EFM
D		S401-166 (REL) AND S401-400 (CA) SELE	12.12.66	CC		WHD	OK
C		DC & AC COIL CHARTS CLARIFIED PICT DIAG REV.	4-12-66	16068		WHD	OK
B		COMPLETELY REVISED	7/12/65	14444		WHD	OK
A	1	D.C. COIL INFO ADDED	7/15/65	1		WHD	OK

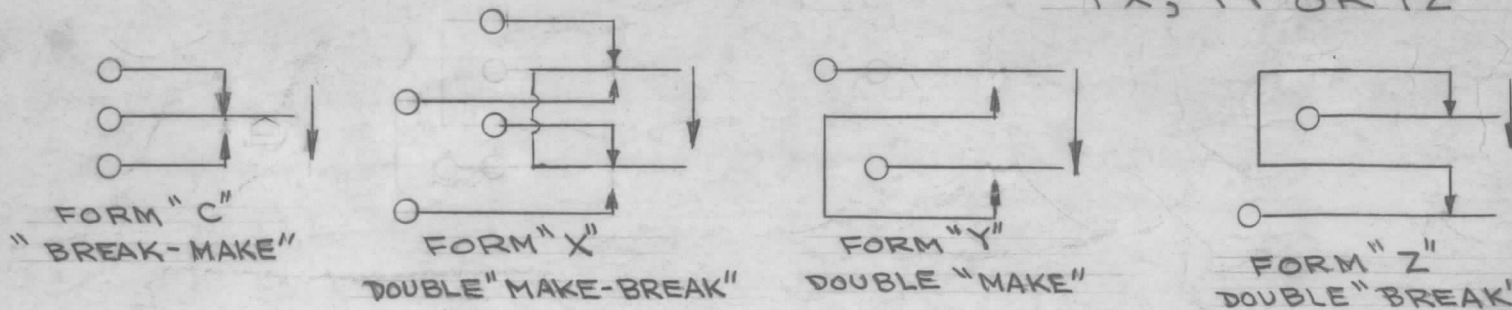
TOLERANCES		SCALE:
DEC. DIM. ±		MAXIMUM ALLOWABLE TOLERANCES HAVE BEEN DETERMINED AND ANY DEVIATIONS WILL BE CAUSE FOR REJECTION. REMOVE ALL BURRS AND SHARP EDGES
FRAC. DIM. ±		
ANGULAR DIM. ±		

REQ. PER UNIT	MODEL	PROJECT NO.	ASST. NO.	DATE
1	S401-2			5-5-58

REQ. ITEM	PART NO.	DESCRIPTION	SYMBOL
THE TECHNICAL MATERIEL CORP. MAMARONECK, NEW YORK			
RELAY			
GENERAL PURPOSE			
REQ. ITEM	PART NO.	DESCRIPTION	SYMBOL
		COIL 1/2 24/55	A.J.J.
		DRAWN	OK
		CHECKED	OK
		FINAL APPROV.	OK
		ELEC. DES. APP.	OK
		MECH. DES. APP.	OK

RL 116 G

CIRCUITS AVAILABLE 1C THRU 3C
1X, 1Y OR 1Z



STANDARD DRAWING

COIL
EITHER AC OR DC
AC - 6 TO 230 VOLTS
DC - 6 TO 110 " & 125

CONTACTS
5 AMP, 115V, NON-INDUCTIVE
1C THRU 5C (DC), 1C THRU 4C (AC)
1X, 1Y OR 1Z

NOTE: UNUSED TERMINALS NEED NOT BE SUPPLIED.

FOR 10 AMP CONTACTS SEE RL144.

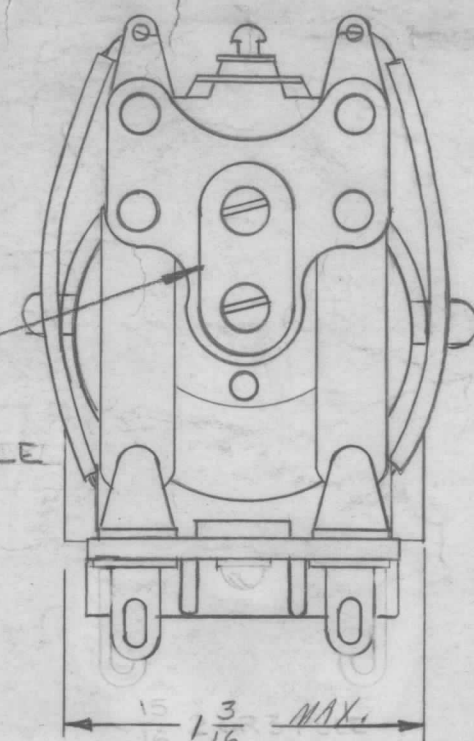
DESIGN OF BARRIER OPTIONAL.

NARM REF. # 1.3.4.3.2

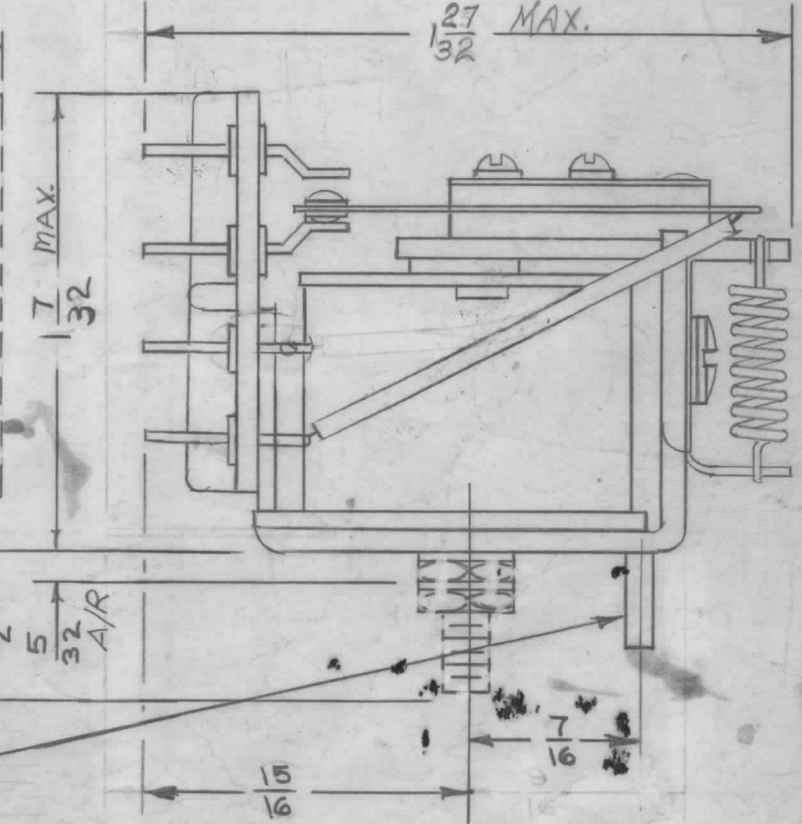
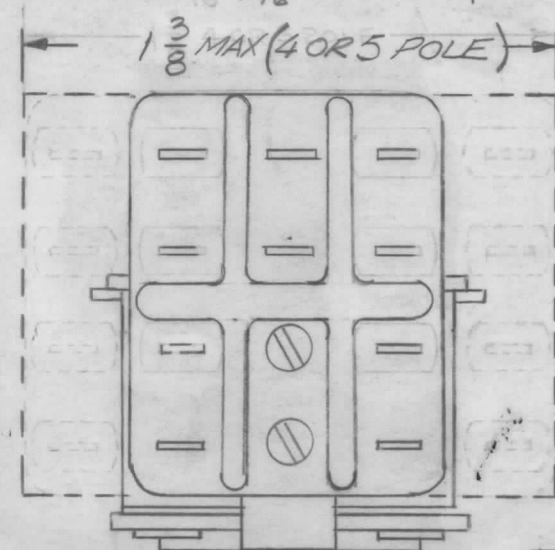
DC COIL

AC COIL

OPER VOLT SYM	E VOLTS	W NOM.	R APPROX.	OPER VOLT SYMBOL	E	VA NOM.	R APPROX.
006	6-6.8	1.13	28 Ω	006	6-6.8	1.7	4.6
012	12-13.6	1.2	105 Ω	012	12-13.6	1.6	20
024	24-28	1.12	460 Ω				
048	48		1500 Ω				
115	110-120	1.2	9,000 Ω	115	110-120	1.9	1,800
125	125		11,000 Ω				

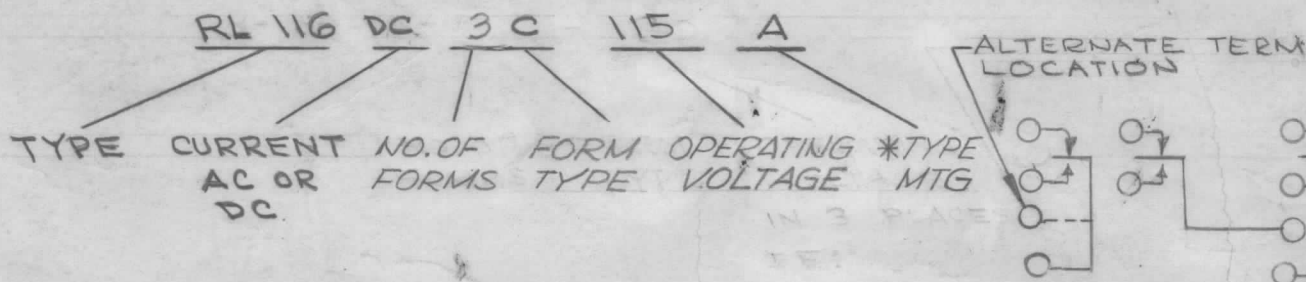


ARMATURE STYLE OPTIONAL



NOTE: WHEN RL116DC4C125A IS SUPPLIED AS A SPARE PART, MOUNTING PLATE MS1576 MUST BE INCLUDED.

TYPE DESIGNATION TO BE IN FOLLOWING FORM



ALTERNATE TERM. LOCATION

6-32 MTG. STUD. OR 6-32 TAPPED HOLE

RELAY MAY BE SUPPLIED WITH OR WITHOUT LOCATING TAB. WHEN TAB IS USED, A 3/16 CLEARANCE HOLE IS REQ'D.

WIRING DIAGRAM (UNENERGIZED) VIEWED FROM TERMINAL END

* NO LETTER INDICATES MTG. STUD 6-32
A = 6-32 TAPPED HOLE

FOR PURCHASING ONLY

S401-3 (GHA) S401-399 (PA)

ISSUE	ITEM	CHANGED FROM	DATE	CH. NO.	DRAFTS	CHECKER	ENG. APP.
G		125 VOLT, DC ADDED	9-9-75	21289		Sch	OK
F		REVISED & UPDATED	7/7/69	19497		GE	FB
E		REVISED & UPDATED	1/3/69	19178A		LH	EFM
D		S401-166 (RE) AND S401-400 (CA) DELE	12.12.66	CC		WU	OK
C		DCE AC COIL CHARTS CLARIFIED PICT/DIAG REV.	4-12-66	16068		WU	OK
B		COMPLETELY REVISED	7/12/65	14444		WU	OK
A	1	D.C. COIL INFO ADDED	9/1/65	1		WU	ATJ

TOLERANCES		SCALE:
DEC. DIM. ±		MAXIMUM ALLOWABLE TOLERANCES HAVE BEEN DETERMINED AND ANY DEVIATIONS WILL BE CAUSE FOR REJECTION. REMOVE ALL BURRS AND SHARP EDGES
FRAC. DIM. ±		
ANGULAR DIM. ±		

REQ. PER UNIT	MODEL	PROJECT NO.	ASS'Y. NO.	DATE
1	SBE-2			5-5-58

REQ. ITEM	PART NO.	DESCRIPTION	SYMBOL
THE TECHNICAL MATERIEL CORP. MAMARONECK, NEW YORK			
RELAY,			
GENERAL PURPOSE			
MATERIAL		DRAWN	CHECKED
TYPE & TEMPER		HEAT TREAT. SPEC.	FINAL APPROVAL
FINISH & SPEC. NO.		ELEC. DES. APP.	MECH. DES. APP.