

RL 113 B

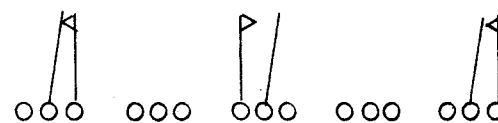
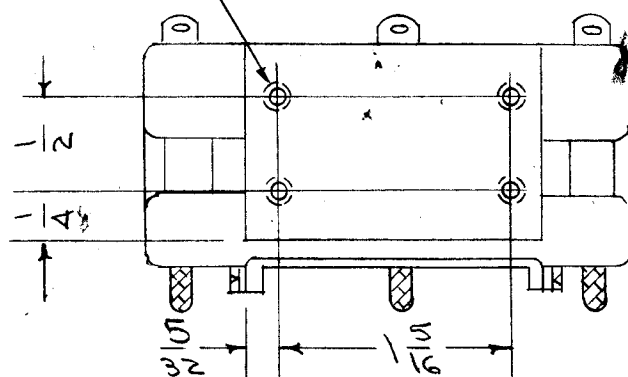
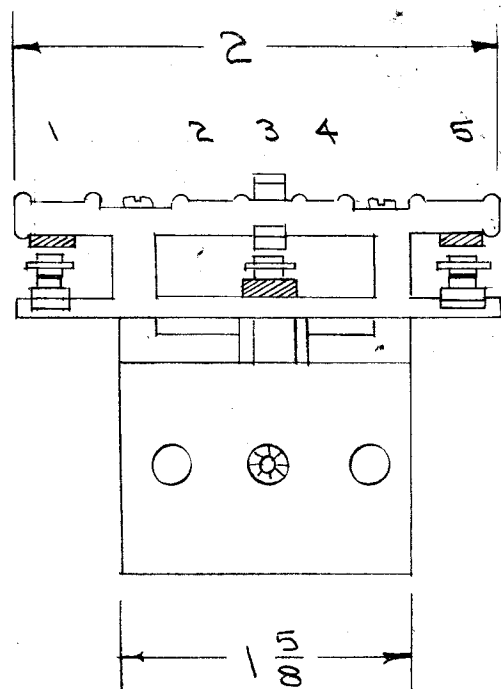
NOTICE TO PERSONS RECEIVING THIS DRAWING

THE TECHNICAL MATERIEL CORPORATION claims proprietary right in the material disclosed hereon. This drawing is issued in confidence for engineering information only and may not be reproduced or used to manufacture anything shown hereon without permission from THE TECHNICAL MATERIEL CORPORATION to the user. This drawing is loaned for mutual assistance and is subject to recall at any time.

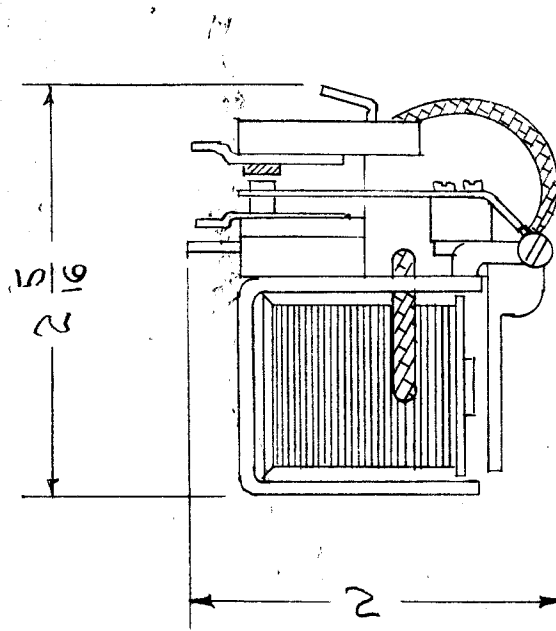
Property of:  
THE TECHNICAL MATERIEL CORPORATION  
MAMARONECK, NEW YORK

▨ = DUMMY CONTACT OR REST

6-32 TAP



ELECTRICAL  
SHOWN IN DE-ENERGIZED POSITION



DIM. FOR REF. ONLY

TYPE - 33 Q A

COIL DATA:

NORM. OPER. VOLTS 115 V DC  
COIL RESISTANCE 5000 Ω  
MIN. OPER. AMPS .015 A.

CONTACTS - 10 AMPS,  
115 VAC NONINDUCTIVE

NOTE

RELAY TO BE STAMPED RL 113 BY MFR.

REF: PHILLIPS CONTROL CORP.  
# 33BQAG8A

NOTE: IMPREGNATION.  
COIL MUST BEAR FIBRE GLASS COVERING  
IN DOUBLE IMPREGNATION

ISSUE	ITEM	CHANGED FROM	DATE	CH. NO.	DRAFTS	CHECKER	ENG. APP.
B	1	IMPREGNATION NOTE ADDED	10/7/58	*	file		
A	2	Phil-Trol # Added	3/27/57	1	file		A.J.J.
A	1	Modify 33DC-115-5C Deleted					

TOLERANCES		SCALE:	
DEC. DIM. ±	MAXIMUM ALLOWABLE TOLERANCES HAVE BEEN DETERMINED AND ANY DEVIATIONS WILL BE CAUSE FOR REJECTION. REMOVE ALL BURRS AND SHARP EDGES	1	RTP
FRAC. DIM. ±		REQ. PER UNIT	MODEL
ANGULAR DIM. ±			PROJECT NO.

1	RTP	A 1269	10-26-55
REQ. PER UNIT	MODEL	ASS'Y. NO.	DATE
USED ON			

REQ. ITEM	PART NO.	DESCRIPTION	SYMBOL
		THE TECHNICAL MATERIEL CORP. MAMARONECK, NEW YORK	
STOCK SIZE		RELAY, SCREEN OVERLOAD	
MATERIAL		GPT 750	
		COIL VOLTS	115
		DRAWN	A.J.J.
		CHECKED	
		FINAL APPROVAL	
		ELEC. DES. APP.	RL 113 B
		MECH. DES. APP.	