

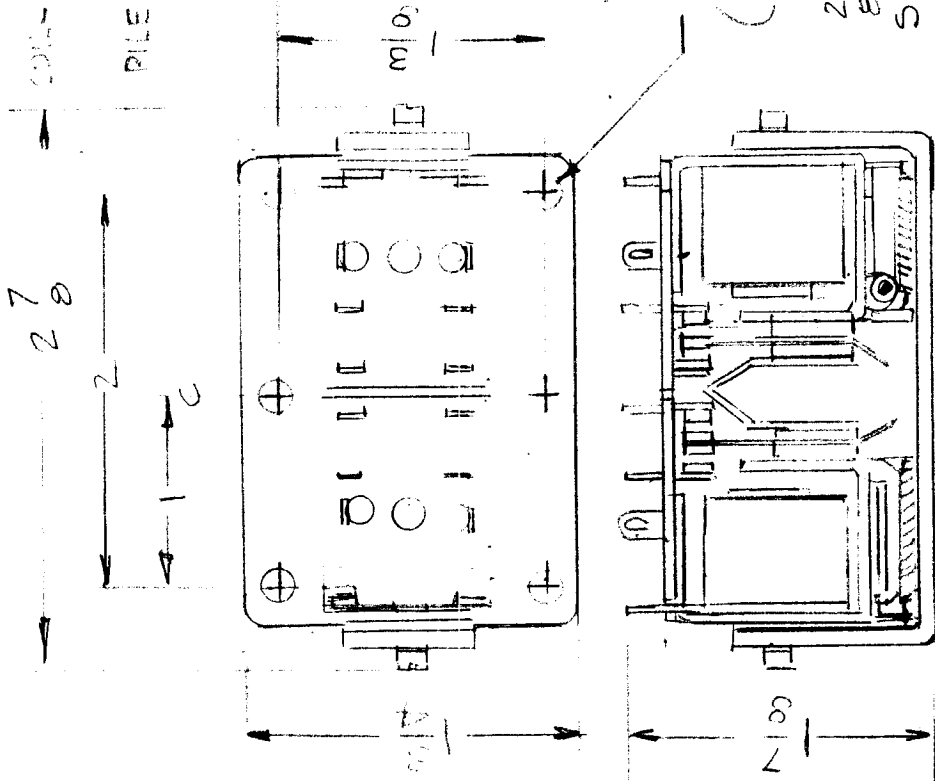


APPLICATION			REVISIONS						
QTY	MODEL USED ON	ASS'Y NO.	LTR	DESCRIPTION	DATE	E.M.N.O	DRAFT	CHKD	APPD
1	OPT 101K	A5843	Ø	ORIGINAL RELEASE	3/19/52				RL

NOTE:  
 WHEN USED TO REPLACE RL123  
 MOUNTING PLATE RL1293 MUST BE SUPPLIED  
 (ARI01)

ELECTRICAL SPECS.

COIL - LATCH 2000 OHM APPROX  
 UNLATCH 70 OHM APPROX  
 PILE UP - 4 FORM C (4 PDT)  
 CONTACTS - 10 AMP 125VAC  
 LATCH OPERATE 190V 50/60 CPS  
 UNLATCH -.155 AMPERES  
 OPERATE



UNLESS OTHERWISE SPECIFIED DIMENSIONS ARE IN INCHES AND INCLUDE CHEMICALLY APPLIED OR PLATED FINISHES	REQ'D ITEM	PART NUMBER	DESCRIPTION	SYM.
DECIMALS .X ± .05 .XX ± .01 .XXX ± .005	LIST OF MATERIAL			
FRACTIONS 1/64 ANGLES 9° 30'	THE TECHNICAL MATERIEL CORP. MAMARONECK, NEW YORK			
MATERIAL	RELAY ASSEMBLY REF. DRAWING 439			
FINISH	SCALE			
	FINAL APPROVAL MECH. DES. ELECT. DES. CHECKED DRAWN GDL	DATE 2/19/52	CODE IDENT. NO. DWG NO. A 82679	ISSUE Ø

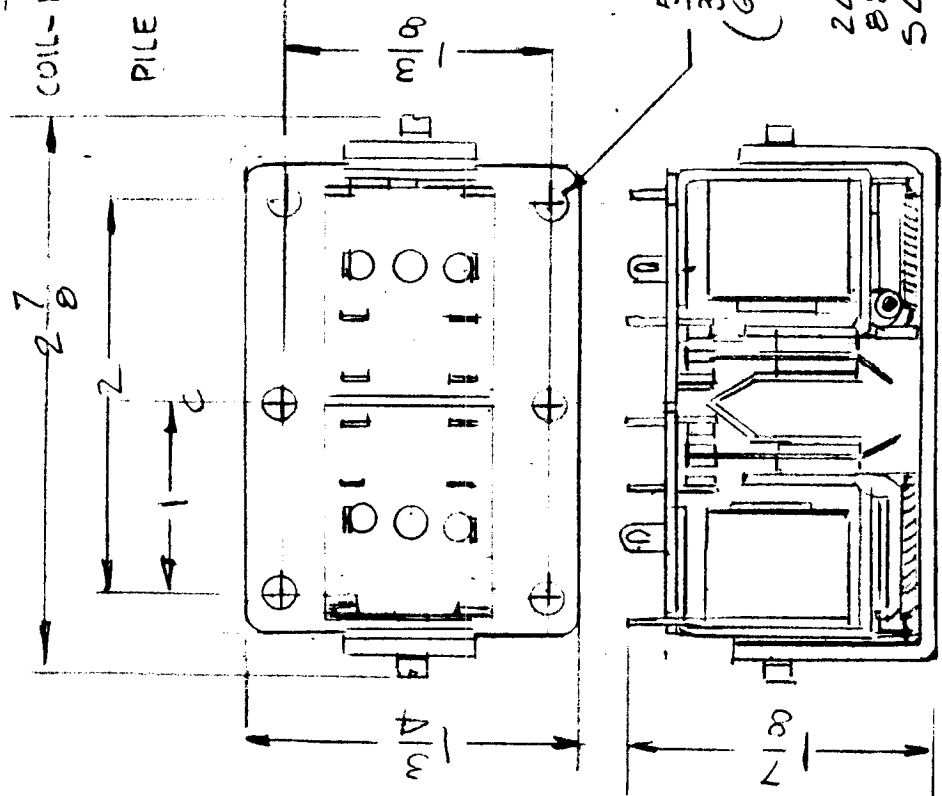
NOTICE TO PERSONS RECEIVING THIS DRAWING  
 THE TECHNICAL MATERIEL CORPORATION claims proprietary right in the material disclosed hereon. This drawing is issued in confidence for engineering information only and may not be reproduced or used to manufacture anything shown hereon without permission from THE TECHNICAL MATERIEL CORPORATION to the user. This drawing is loaned for mutual assistance and is subject to recall at any time.

APPLICATION			REVISIONS						
QTY	MODEL USED ON	ASSY NO.	LTR	DESCRIPTION	DATE	E.M.N.O	DRAFT	CHKD	APPD
1	GPT10K	A5844	Ø	ORIGINAL RELEASE	3-19-55				Q
	SPT-10K	A5855							

NOTE:  
 WHEN USED TO REPLACE RL125  
 MOUNTING PLATE PX1293 MUST BE SUPPLIED  
 (AR104)

ELECTRICAL SPECS.

COIL - LATCH 2000Ω APROX  
 UNLATCH 245Ω APROX  
 PILE UP - 4 FORM C (4 PPT)  
 CONTACTS - 10 AMP 125VAC  
 LATCH OPERATE 190V 50/60 CPS  
 UNLATCH - 080 AMPERES  
 OPERATE



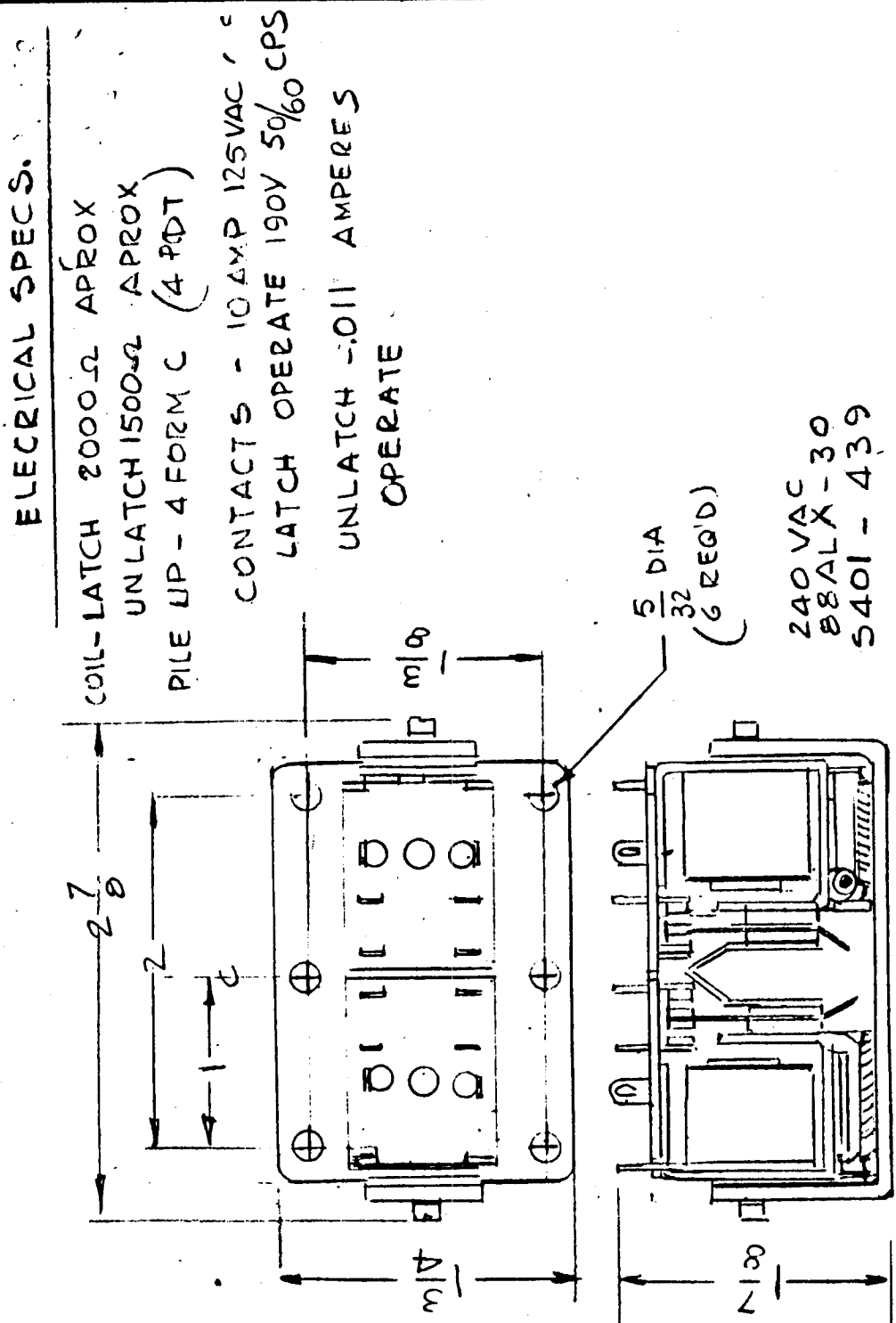
240 VAC  
 88ALX-29  
 5401 - 439

UNLESS OTHERWISE SPECIFIED DIMENSIONS ARE IN INCHES AND INCLUDE CHEMICALLY APPLIED OR PLATED FINISHES	REQ'D ITEM	PART NUMBER	DESCRIPTION	SYM.
DECIMALS X ± .06 XX ± .01 XXX ± .005	FINAL APPROVAL		LIST OF MATERIAL	
FRACTIONS 1/64	MECH. DES.		THE TECHNICAL MATERIEL CORP. MAMARONECK, NEW YORK	
TOLS. ANGLES 90° 30'	ELECT. DES.		RELAY ARMATURE	
MATERIAL	CHECKED			
FINISH	DRAWN GDL			
	DATE 3-19-55			
	DATE			
	DATE			
	DATE			
	DATE 3-19-55			

NOTICE TO PERSONS RECEIVING THIS DRAWING THE TECHNICAL MATERIEL CORPORATION claims proprietary right in the materiel disclosed hereon. This drawing is issued in confidence for engineering information only and may not be reproduced or used to manufacture anything shown hereon without permission from THE TECHNICAL MATERIEL CORPORATION to the user. This drawing is loaned for mutual assistance and is subject to recall at any time.		SIZE A	CODE IDENT. NO. 82679	DWG NO. RL203	ISSUE Ø
SCALE	SHEET	OF			

APPLICATION		REVISIONS							
QTY	MODEL USED ON	ASSY NO.	LTR	DESCRIPTION	DATE	E.M.N.O	DRAFT	CHKD	APPD
1	GPT10K	A5853	Ø	ORIGINAL RELEASE	3-19-55				RL
1	GPT40K	A5856							

NOTE:  
 WHEN USED TO REPLACE RL127  
 MOUNTING PLATE PX1293 MUST BE SUPPLIED  
 (AR107)  
 (AR102)



UNLESS OTHERWISE SPECIFIED DIMENSIONS ARE IN INCHES AND INCLUDE CHEMICALLY APPLIED OR PLATED FINISHES.		REQ'D ITEM	PART NUMBER	DESCRIPTION	SYM.
DECIMALS	FRACTIONS			<b>LIST OF MATERIAL</b>	
X ± .05	1/64	FINAL APPROVAL		<b>THE TECHNICAL MATERIEL CORP.</b>	
.XX ± .01	ANGLES	MECH. DES.		MAMARONECK, NEW YORK	
.XXX ± .005	Ø .30	ELECT. DES.		<b>RELAY ARMATURE</b>	
MATERIAL		CHECKED			
FINISH		DRAWN	GDL		
		DATE	3-17		
		DATE			
		DATE			
		DATE			
		DATE			

NOTICE TO PERSONS RECEIVING THIS DRAWING THE TECHNICAL MATERIEL CORPORATION claims proprietary right in the material disclosed hereon. This drawing is issued in confidence for engineering information only and may not be reproduced or used to manufacture anything shown hereon without permission from THE TECHNICAL MATERIEL CORPORATION to the user. This drawing is loaned for mutual assistance and is subject to recall at any time.		SIZE <b>A</b>	CODE IDENT. NO. <b>82679</b>	DWG NO. <b>RL204</b>	ISSUE <b>Ø</b>
SCALE		SHEET		OF	

APPLICATION

QTY	MODEL USED ON	ASSY NO.	LTR	DESCRIPTION	REVISIONS	DATE	E.M.N.O	DRAFT	CHKD	AP
1	GPT 10K	A5852	Ø	ORIGINAL RELEASE		3.19.85				

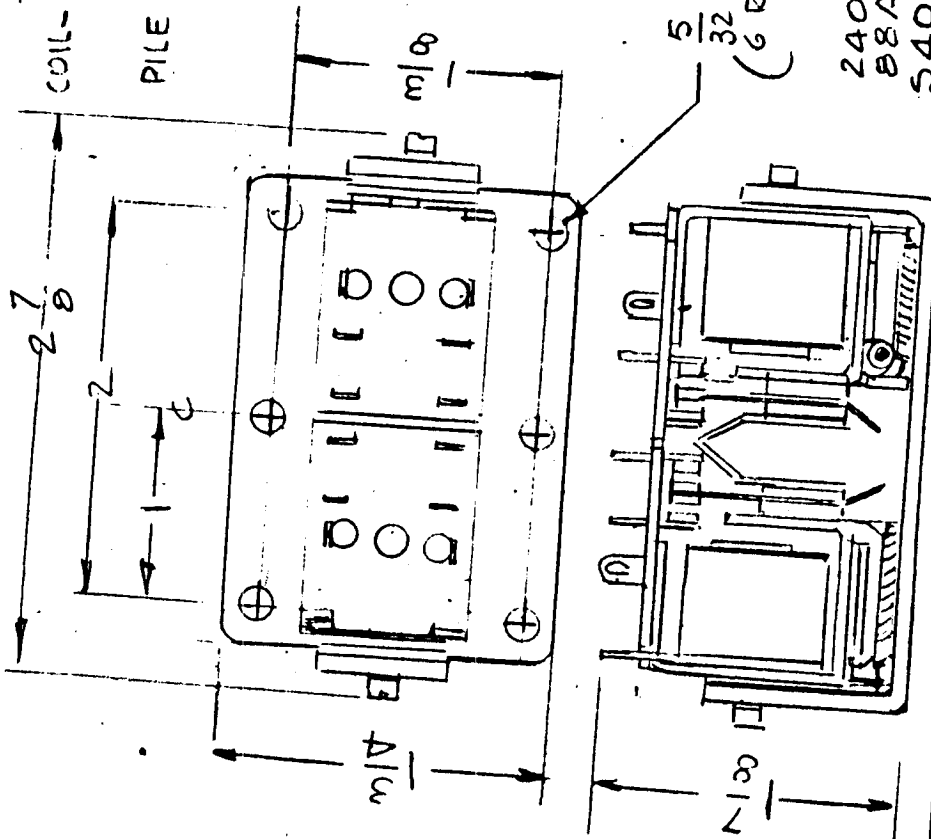
NOTE:

WHEN USED TO REPLACE RL128  
MOUNTING PLATE PX1293 MUST BE SUPPLIED  
(AR108)

ELECTRICAL SPECS.

COIL-LATCH 2000Ω APPROX  
UNLATCH 1500Ω APPROX  
PILE UP - 4 FORM C (4 PdT)

CONTACTS - 10AMP 125VAC /  
LATCH OPERATE 190V 50/60 CPS  
UNLATCH -.025 AMPERES  
OPERATE



240 VAC  
88ALX - 34  
5401 - 439

UNLESS OTHERWISE SPECIFIED DIMENSIONS ARE IN INCHES AND INCLUDE CHEMICALLY APPLIED OR PLATED FINISHES		REQ'D ITEM		PART NUMBER		DESCRIPTION		SYM.	
DECIMALS	FRACTIONS	FINAL APPROVAL		DATE		LIST OF MATERIAL			
.X ± .06	1/64	MECH. DES.		10/17/85		THE TECHNICAL MATERIEL CORP.			
.XX ± .01	ANGLES	ELECT. DES.		DATE		MAMARONECK, NEW YORK			
.XXX ± .008	P° 30'	CHECKED		DATE		RELAY ARMATURE			
MATERIAL		DRAWN GDL		DATE					
FINISH				10/19/85					

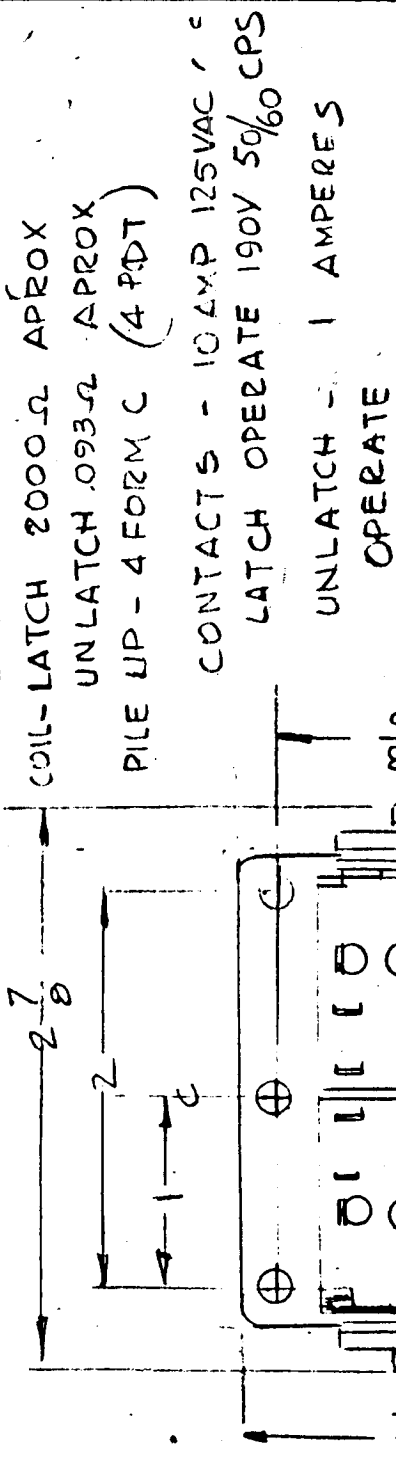
NOTICE TO PERSONS RECEIVING THIS DRAWING  
THE TECHNICAL MATERIEL CORPORATION claims proprietary right in the material disclosed hereon. This drawing is issued in confidence for engineering information only and may not be reproduced or used to manufacture anything shown hereon without permission from THE TECHNICAL MATERIEL CORPORATION to the user. This drawing is loaned for mutual assistance and is subject to recall at any time.

SIZE	CODE IDENT. NO.	DWG NO.	ISSU
A	82679	RL205	
SCALE	SHEET		OF

APPLICATION		REVISIONS							
QTY	MODEL USED ON	ASSY NO.	LTR	DESCRIPTION	DATE	E.M.N. NO	DRAFT	CHKD	APPD
1	GPT 10K	A5854	Ø	ORIGINAL RELEASE	10-31-85				

NOTE:  
WHEN USED TO REPLACE RL122  
MOUNTING PLATE PX1293 MUST BE SUPPLIED  
(AR100)

ELECTRICAL SPECS.



REQ'D ITEM	PART NUMBER	DESCRIPTION	SYM.
LIST OF MATERIAL			
THE TECHNICAL MATERIEL CORP. MAMARONECK, NEW YORK			
RELAY ARMATURE			

UNLESS OTHERWISE SPECIFIED DIMENSIONS ARE IN INCHES AND INCLUDE CHEMICALLY APPLIED OR PLATED FINISHES.	FINAL APPROVAL	DATE	MECH. DES.	DATE	ELECT. DES.	DATE	CHECKED	DATE	DRAWN	DATE
DECIMALS 1/64	Ø	3/19/85							GDL	5-17
FRAC. TOLS. 1/64										
ANGLES 0°-30°										
MATERIAL										
FINISH										
NOTICE TO PERSONS RECEIVING THIS DRAWING THE TECHNICAL MATERIEL CORPORATION claims proprietary right in the material disclosed hereon. This drawing is issued in confidence for engineering information only and may not be reproduced or used to manufacture anything shown hereon without permission from THE TECHNICAL MATERIEL CORPORATION to the user. This drawing is loaned for mutual assistance and is subject to recall at any time.		SIZE	CODE IDENT. NO.	DWG NO.	ISSUE					
A	82679	RL206	Ø							
SCALE	SHEET	OF								

APPLICATION			REVISIONS						
QTY	MODFI USED ON	ASS'Y NO.	LTR	DESCRIPTION	DATE	E.M.N.NO	DRAFT	CHKD	APPD
1		AV116							

1 5/8  
1 5/16  
1 1/4

2 5/16

1 5/8  
1 5/16  
1 1/4

2 5/16

6-32TUB  
ANGLE

CONTACT  
SOLDER BR AMPLES  
ATTACHMENT - OVER THE  
CIRCUIT BOARD

REVISIONS -

COIL - 2.4 OLV (L.S.)  
MOISTURE RESISTANT VARNISHED  
FILIPIN - 4 FOOT (4 FT)

REF: 22-FRY-65

LIST OF MATERIAL			DESCRIPTION	SYM.
REQ'D	ITEM	PART NUMBER		
			<b>THE TECHNICAL MATERIEL CORP.</b> MAMARONECK, NEW YORK	
<p><b>FINISH</b></p> <p>MECH. DES. DATE 5/28/64</p> <p>ELECT. DES. DATE</p> <p>CHECKED DATE</p> <p>DRAWN 301 DATE 6-21-60</p>				

UNLESS OTHERWISE SPECIFIED DIMENSIONS ARE IN INCHES AND INCLUDE CHEMICALLY APPLIED OR PLATED FINISHES

DECIMALS FRACTIONS  
X ± .05 TOLS. 1/64  
.XX ± .01 ANGLES  
.XXX ± .005 9°-30'

NOTICE TO PERSONS RECEIVING THIS DRAWING  
THE TECHNICAL MATERIEL CORPORATION claims proprietary right in the material disclosed hereon. This drawing is issued in confidence for engineering information only and may not be reproduced or used to manufacture anything shown hereon without permission from THE TECHNICAL MATERIEL CORPORATION to the user. This drawing is loaned for mutual assistance and is subject to recall at any time.

SIZE	CODE IDENT. NO.	DWG NO.	ISSUE
A	82679	RL 207	

SCALE	SHEET	OF





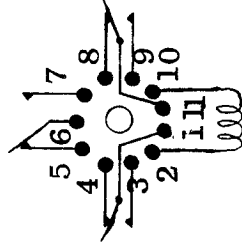
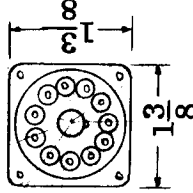
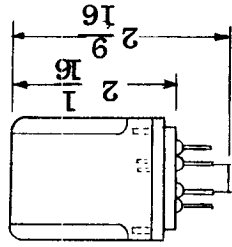
APPLICATION			REVISIONS						
QTY	MODEL USED ON	ASSY NO.	LTR	DESCRIPTION	DATE	E.M.N.NO	DRAFT	CHKD	APPD
4	SPT3K/VHF	AX8062	Ø	ORIG RELEASE FOR PROD	4/11/69		GE		<i>RJC</i>

MFR PART NUMBER: CAD14A10/115

**SPECIFICATIONS**

**COIL:**  
 VOLTAGE: 115  
 RESISTANCE: 2000 OHMS  
 NOMINAL POWER: 2.0  
**CONTACTS:**  
 ARRANGEMENT: 3 PDT  
 RATING: 10 AMP  
 OPERATING TIME: 10 MS  
 RELEASE TIME: 8 MS  
 MAX AMB TEMP: 45°C

**MECHANICAL:**  
 MOUNTING: 11 PIN PLUG-IN BASE  
 DUST COVER: PLASTIC  
 WEIGHT: 2.9 OZ.



UNLESS OTHERWISE SPECIFIED DIMENSIONS ARE IN INCHES AND INCLUDE CHEMICALLY APPLIED OR PLATED FINISHES	REQ'D	ITEM	PART NUMBER	DESCRIPTION	SYM.
DECIMALS .X ± .05 .XX ± .01 .XXX ± .005				LIST OF MATERIAL	
FRACTIONS 1/64					
TOLS. ANGLES 0°-30°					
MATERIAL				THE TECHNICAL MATERIEL CORP. MAMARONECK, NEW YORK	
FINISH				RELAY	
S401-400					

FINAL APPROVAL	DATE	4-11-69
MECH. DES.	DATE	4-11-69
ELECT. DES.	DATE	
CHECKED	DATE	4-11-69
DRAWN	DATE	4/11/69

**NOTICE TO PERSONS RECEIVING THIS DRAWING**  
 THE TECHNICAL MATERIEL CORPORATION claims proprietary right in the material disclosed hereon. This drawing is issued in confidence for engineering information only and may not be reproduced or used to manufacture anything shown hereon without permission from THE TECHNICAL MATERIEL CORPORATION to the user. This drawing is loaned for mutual assistance and is subject to recall at any time.

SIZE	CODE IDENT. NO.	DWG NO.	ISSUE
A	82679		Ø
SCALE		SHEET	OF
		RL 8008	