

APPLICATION

QTY	MODEL USED ON	ASSY NO.	LTR	DESCRIPTION	REVISIONS	DATE	E.M.N.O	DRAFT	CHKD	AP
1	GPT 10K	A5852	Ø	ORIGINAL RELEASE		3.19.85				

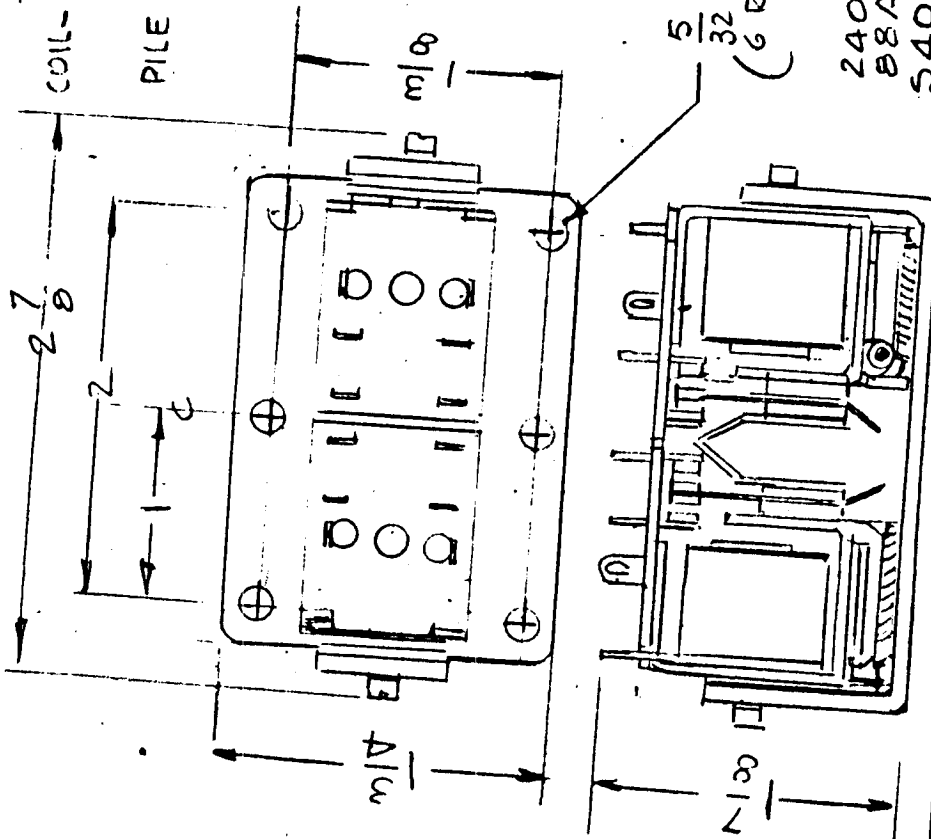
NOTE:

WHEN USED TO REPLACE RL128
MOUNTING PLATE PX1293 MUST BE SUPPLIED
(AR108)

ELECTRICAL SPECS.

COIL-LATCH 2000Ω APPROX
UNLATCH 1500Ω APPROX
PILE UP - 4 FORM C (4 PdT)

CONTACTS - 10AMP 125VAC
LATCH OPERATE 190V 50/60 CPS
UNLATCH -.025 AMPERES
OPERATE



240 VAC
88ALX - 34
5401 - 439

UNLESS OTHERWISE SPECIFIED DIMENSIONS ARE IN INCHES AND INCLUDE CHEMICALLY APPLIED OR PLATED FINISHES		REQ'D ITEM		PART NUMBER		DESCRIPTION		SYM.	
DECIMALS	FRACTIONS	FINAL APPROVAL		DATE		LIST OF MATERIAL			
X ± .06	TOLS. 1/64	MECH. DES.		DATE 10/17/85		THE TECHNICAL MATERIEL CORP.			
.XX ± .01	ANGLES P° 30'	ELECT. DES.		DATE		MAMARONECK, NEW YORK			
.XXX ± .008		CHECKED		DATE		RELAY ARMATURE			
MATERIAL		DRAWN GDL		DATE 10.19.85					
FINISH									

NOTICE TO PERSONS RECEIVING THIS DRAWING
THE TECHNICAL MATERIEL CORPORATION claims proprietary right in the material disclosed hereon. This drawing is issued in confidence for engineering information only and may not be reproduced or used to manufacture anything shown hereon without permission from THE TECHNICAL MATERIEL CORPORATION to the user. This drawing is loaned for mutual assistance and is subject to recall at any time.

SIZE	CODE IDENT. NO.	DWG NO.	ISSU
A	82679	RL205	
SCALE	SHEET		OF