

IF IT IS FOUND DESIRABLE TO CHANGE ANY TOLERANCE OR OTHER DETAIL SPECIFIED ON THIS DRAWING NOTIFY THE PURCHASER PROMPTLY.

MAXIMUM ALLOWABLE TOLERANCES HAVE BEEN DETERMINED AND DEVIATIONS WILL BE CAUSE FOR REJECTION. REMOVE ALL BURRS AND SHARP EDGES

STANDARD DRAWING

RA-103 A

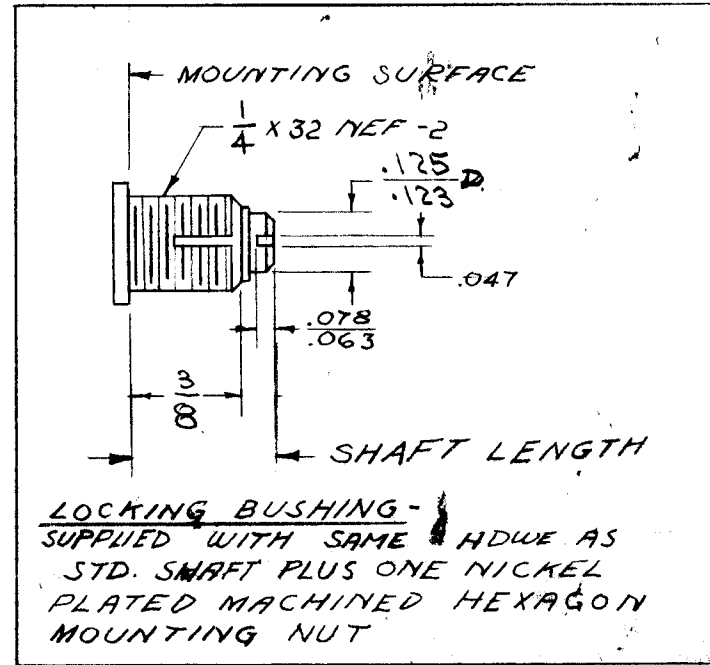
SWITCH		SHAFT STYLE	
A	NO SWITCH	F	FLATTED
B	SPST SW	R	ROUND
C	DPST SW	S	SLOTTED
		X	LOCK, SLOTTED

TEMPERATURE COEFFICIENT		
S	STANDARD	2 to 10K, 160ppm 10K & UP, 20ppm
Q	SPECIAL	20 ppm

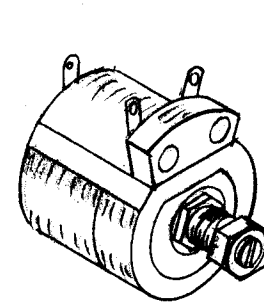
NOTE:
STANDARD SHAFT UNITS ARE SUPPLIED WITH ONE NICKEL PLATED MACHINED HEXAGON MOUNTING NUT, AND ONE INTERNAL TOOTH LOCKWASHER

TOLERANCE & TAPER	
A	ONLY AVAILABLE LINEAR ± 10%

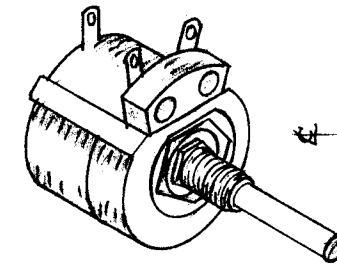
LETTER DESIGNAT.	SHAFT LENGTH		
	ROUND OR FLATTED	SLOTTED	LENGTH OF FLAT
A	—	5/8	—
C	—	3/4	—
D	7/8	7/8	.375
E	1	1	.500
G	1 1/4	1 1/4	.625
H	1 1/2	1 1/2	.625
J	2	2	.625
K	2 1/2	2 1/2	2.125
M	—	7/16	—



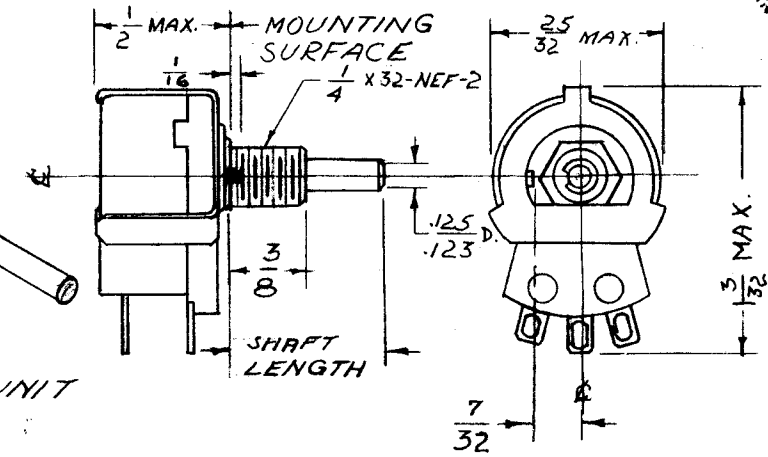
NOTE:
TO BE USED ONLY WHEN THE NEED FOR A MINIATURE POTENTIOMETER BECOMES MANADATORY.



LOCKING UNIT

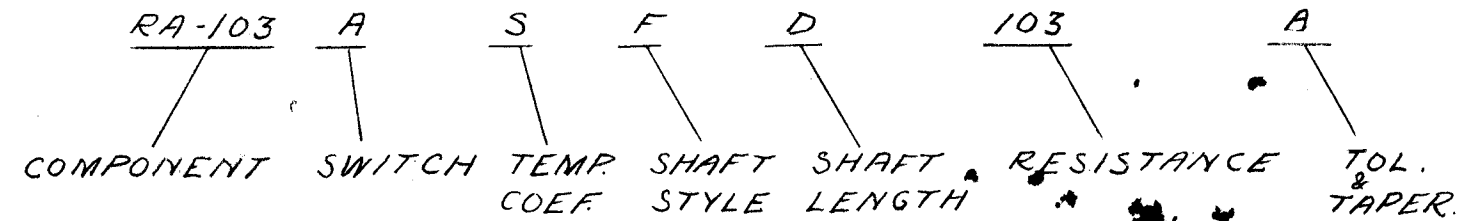


STANDARD UNIT



CHARACTERISTICS

1. RESISTANCE - AVAILABLE IN ANY OHMAGE FROM 10 TO 20,000.
2. VOLTAGE BREAKDOWN - 1000 VOLTS AC BETWEEN METAL MOUNTING SURFACE AND ELEMENT OR TERMINAL.
3. TAPER - LINEAR THROUGH 300° MECHANICAL & ELECTRICAL ROTATIONS.
4. DUAL UNITS - AVAILABLE, SEE TMC DRAWING RA-105



REF: CLAROSTAT MFG. CO. INC. SERIES 49

REQ.	ITEM	PART NO.	DESCRIPTION	SYMBOL
		#	THE TECHNICAL MATERIEL CORP. MAMARONECK. NEW YORK	
		#	RESISTOR, ADJUSTABLE SINGLE	
		#	WIRE-WOUND, 1.5 WATT	
		#	P.B. 10-5, 54	
		#	TYPE & TEMPER	
		#	HEAT TREAT. SPEC.	
		#	FINISH & SPEC. NO.	

A	1	LETTER 'M' ADDED	10-1-54	1	P.B.	JAK	WJC
ISSUE	ITEM	CHANGED FROM	DATE	CN. NO.	DRAFTS	CHECKER	ENG. APP.
TOLERANCES			SCALE:				
ALL OTHERS	DEC. DIM. ±	FRAC. DIM. ±	ANGULAR DIM. ±	DRILL, PUNCH, COMMERCIAL STOCK SIZES AND MANUFACTURERS TOLERANCES ARE NOT INCLUDED.			
MODEL		PROJECT NO.		ASS'Y. NO.		DATE	

USED ON

RA-103 A