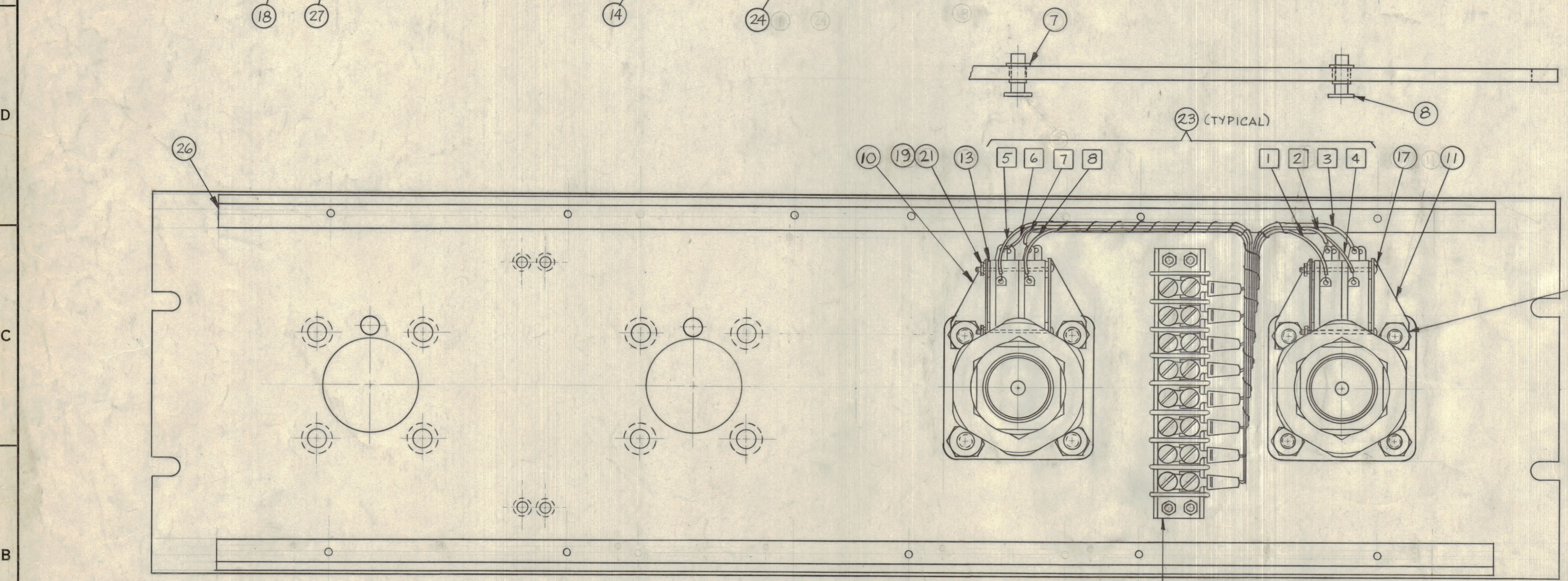
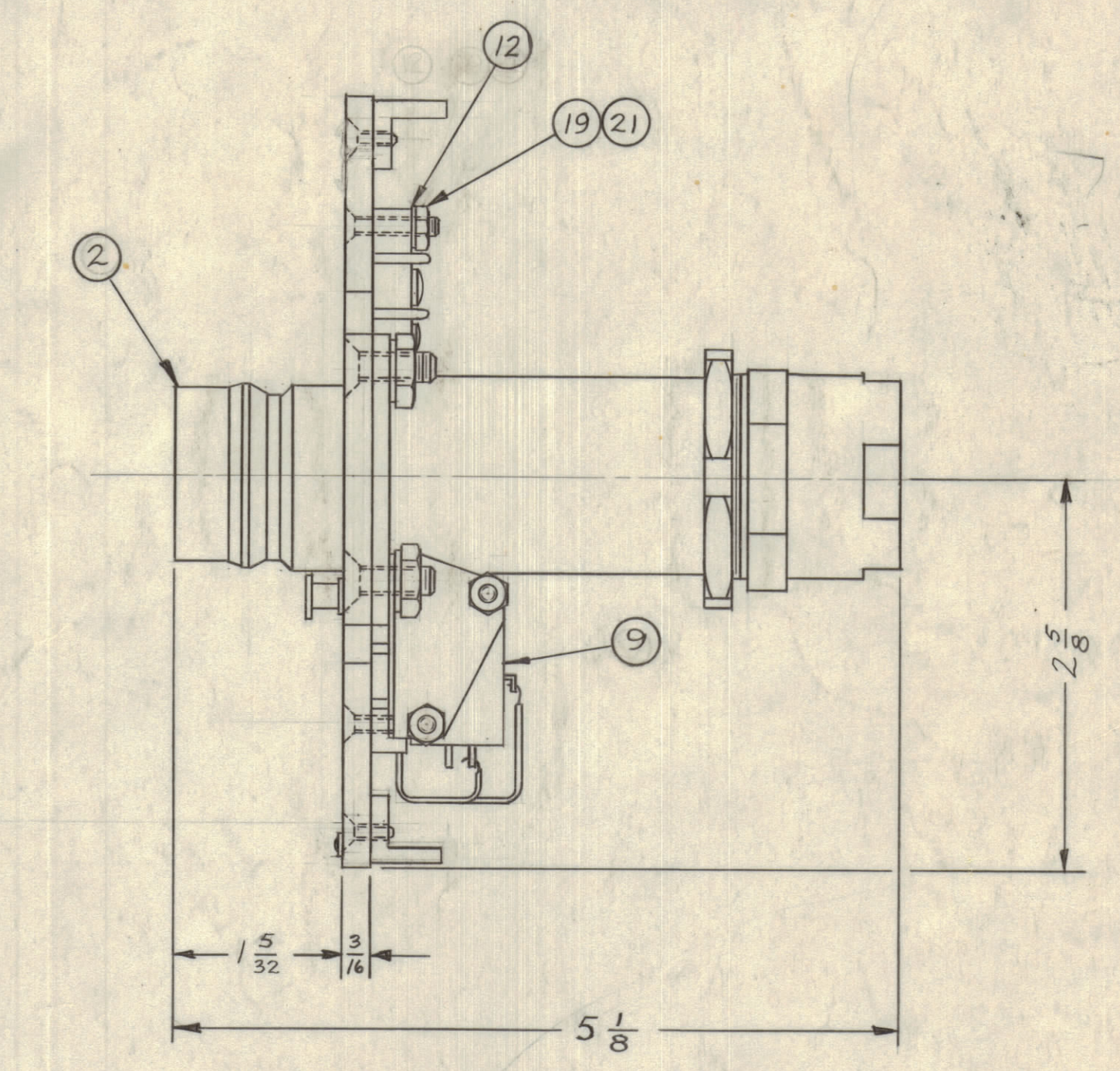
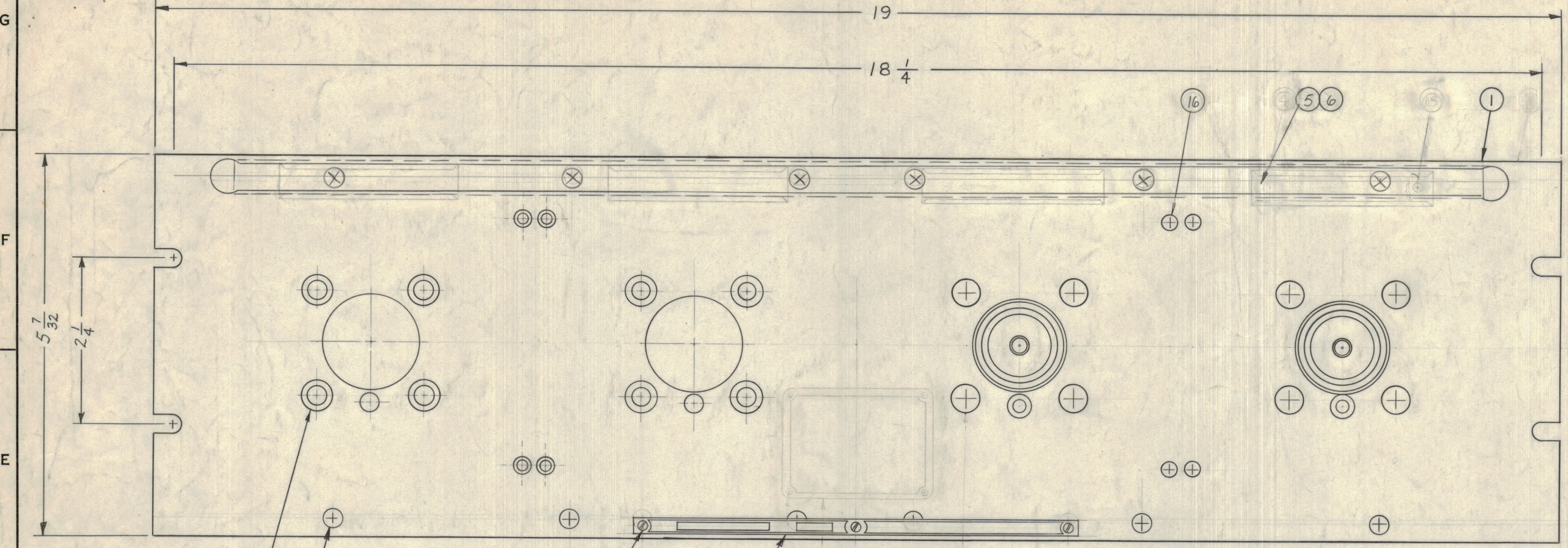


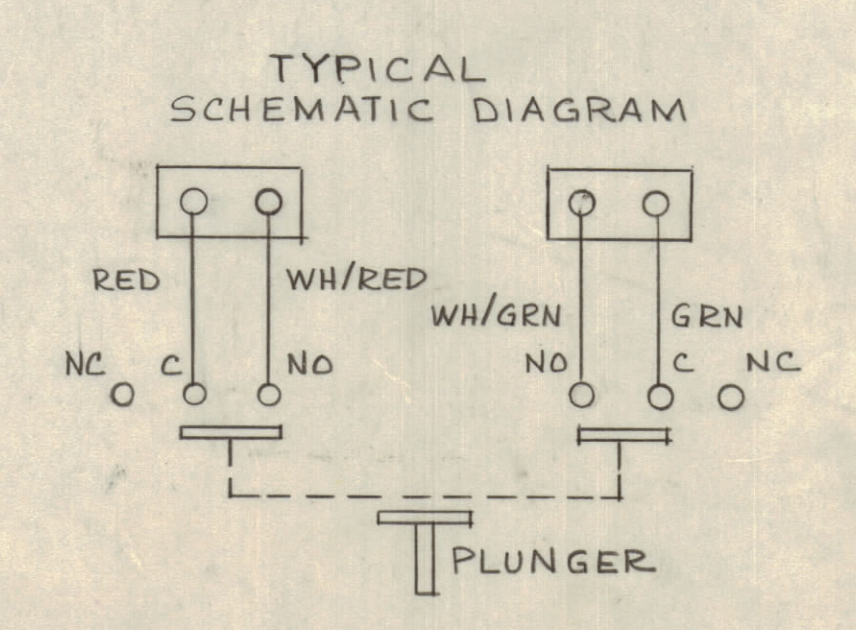
ZONE		BYM	DESCRIPTION	DATE	E.M.N. NO.	DRAFT	CHKD	APPD.
A	AD, A10		ADDED TYP SCHEM DIAG; ITEM 23 INSTALL QDOLB CODE ADDED	10/16/62	7493	MJT		
B			ITEM 16 WAS SCFP0348BN12; ITEM 17 WAS SCFP0440BN18					
C			ITEM 19 QTY WAS 4, ITEM 20 QTY WAS 1					
			ITEM 4 MS-576 & ITEM 18 0345 TYP SCREW MACHINE DELETED - PICTORIAL UPDATED	4-4-64	22050	GDL		



REQ'D	ITEM	PART NUMBER	DESCRIPTION	SYMBOL
X	29	S-716	TEST PROCEDURE	
1	28	S-345/QDL	ASSY PROCEDURE CABLE & CONNECTOR	
12	27	SCFP0632BN5	SCREW, MACHINE	
2	26	PM-490	BRACE, PANEL	
2	25	TM-105-8AR	FANNING STRIP (LOOSE ITEM)	
1	24	NP-250	NAMEPLATE IDENTIFICATION	
2	23	CA-345	CABLE	
16	22	NTH1032BN12	NUT, HEXAGON	
16	21	NTH0440BN6	NUT, HEXAGON	
16	20	LWE10MRN	WASHER, LOCK EXTERNAL	
16	19	LWE04MRN	WASHER, LOCK EXTERNAL	
16	18	SCFP1032BN10	SCREW, MACHINE	
8	17	SCBP0440BN18	SCREW, MACHINE	
8	16	SCFP0440BN10	SCREW, MACHINE	
	15			
3	14	SFBO256SN3	SCREW, THREAD CUTTING	
16	13	WA-109-17	WASHER, FIBRE	
4	12	MS-154-1	PLATE STRADDLE	
4	11	MS-986	BRACKET, SWITCH LEFT	
4	10	MS-981	BRACKET, SWITCH RIGHT	
8	9	SW-189	SWITCH, MICRO	
4	8	PM-427-1	CONTACT SWITCH	
4	7	BB-115	BEARING, PANEL (P/O A-1349-1)	
4	6	PX-249	GUARD, TAB	
4	5	PX-250	TAB, PAPER	
	4			
2	3	TM-102-8	TERMINAL STRIP, BARRIER TYPE	
4	2	JJ-208	ADAPTOR, CONNECTOR	
1	1	A-1349-1	MACHINING, FRONT PANEL	

ITEM 23 INSTALLATION (COLOR CODE)

- 1 RED
- 2 WHITE/RED
- 3 WHITE/GREEN
- 4 GREEN
- 5 RED
- 6 WHITE/RED
- 7 WHITE/GREEN
- 8 GREEN



NOTE:
ITEMS 28 & 28 TO BE SHIPPED AS LOOSE ITEM.

NOTES

1	QDP-RG164C2S4	
SCALE	MODEL USED ON	ASSY. NO.
DO NOT SCALE	CODE	

MATERIAL ALUMINUM		THE TECHNICAL MATERIEL CORP. MAMARONECK, NEW YORK	
FINISH TMC SMOOTH GRAY SEMI-GLOSS ENAMEL		TITLE QUICK DISCONNECT PATCH PANEL QDL TO CABLE	
UNLESS OTHERWISE SPECIFIED DIMENSIONS ARE IN INCHES AND INCLUDE CHEMICALLY APPLIED OR PLATED FINISHES	DECIMALS ±.05 XX ±.01 XXX ±.005	FRACTIONS ± 1/64 ANGLES ± 0° 30'	ELECT. DES. DATE 8-16-62 MECH. DES. DATE 3-22-62
THE CONTENTS OF THIS DRAWING ARE THE EXCLUSIVE PROPERTY OF THE TECHNICAL MATERIEL CORP. ITS UNAUTHORIZED USE OR REPRODUCTION IN WHOLE OR IN PART IS STRICTLY FORBIDDEN.		DATE 8-16-62 DATE 3-22-62 DATE QDP-RG164C2S4 SHEET 1	