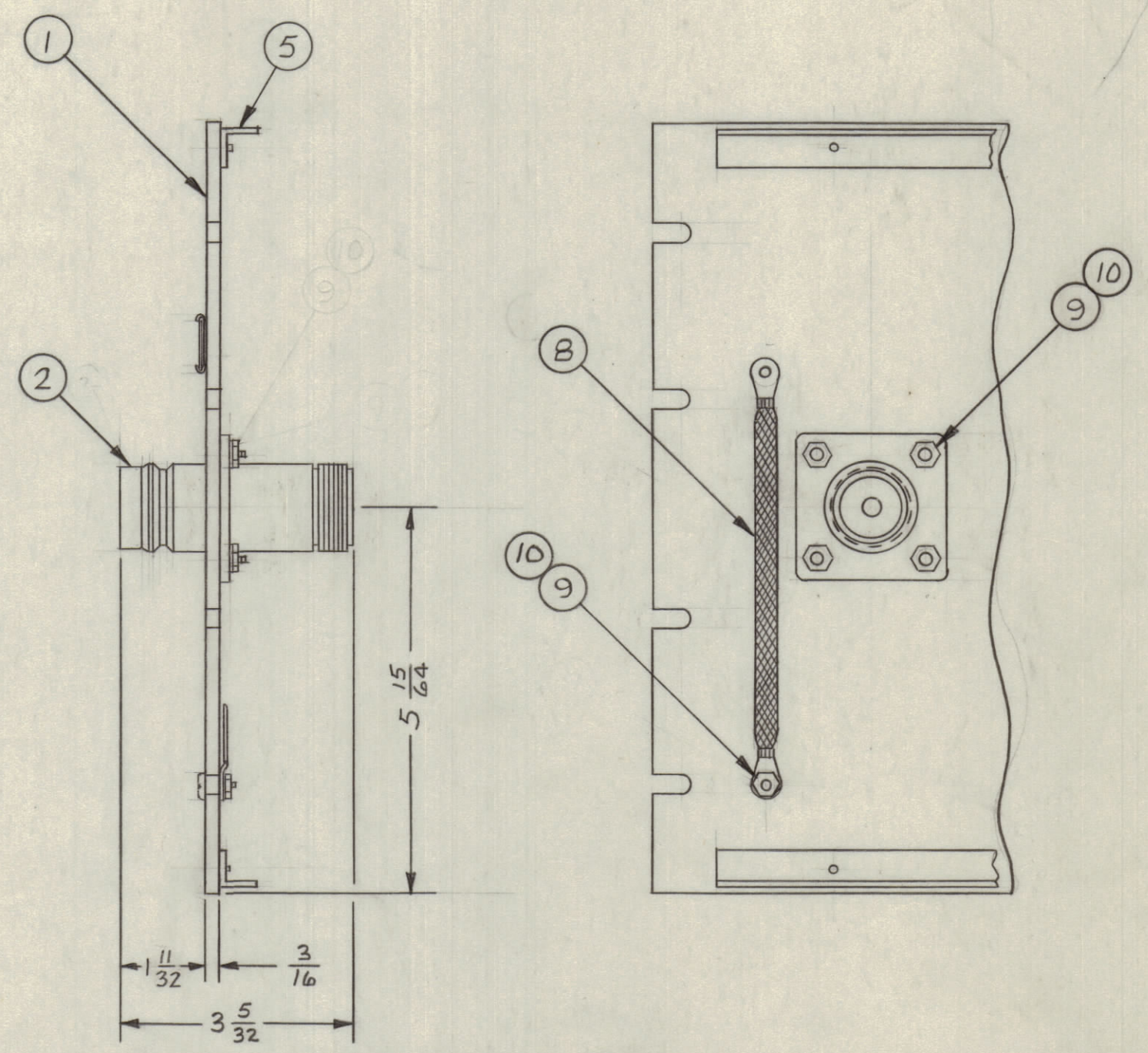
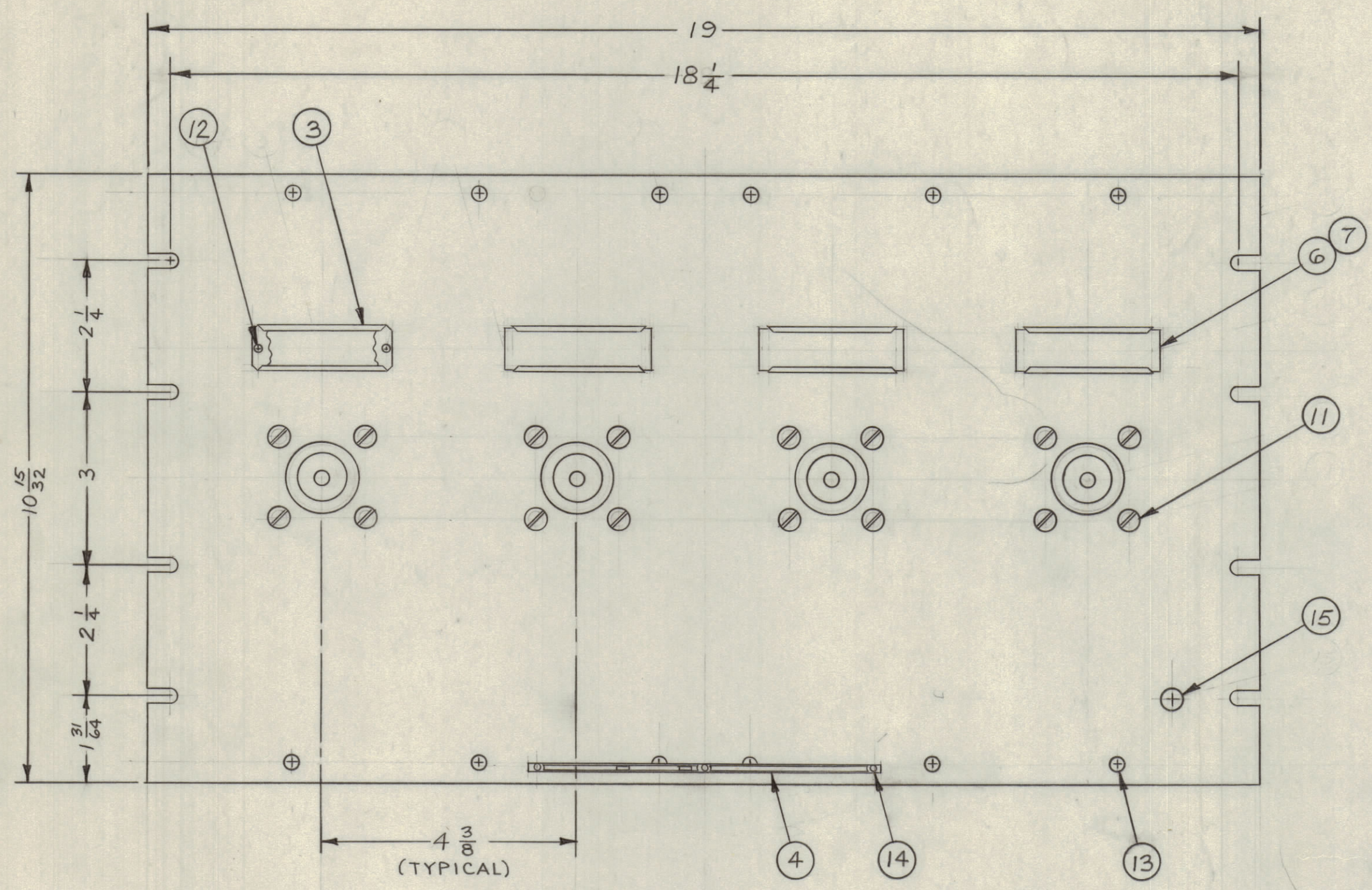


REVISIONS							
ZONE	SYM	DESCRIPTION	DATE	E.M.N. NO.	DRAFT	CHKD	APPD



REQ'D.	ITEM	PART NUMBER	DESCRIPTION	SYMBOL
X	16	S-721	TEST PROCEDURE	
1	15	SCFP1032BN8	SCREW MACHINE	
3	14	SFB0256SN3	SCREW, THREAD CUTTING	
12	13	SCFP0632BN5	SCREW, MACHINE	
8	12	SCFP0348SN4	SCREW, MACHINE	
16	11	SCFP1032BN9	SCREW, MACHINE	
17	10	NTH1032BN12	NUT, HEX	
17	9	LWE10MRN	WASHER, LOCK, EXTERNAL	
1	8	CA-409-69-6.00	CABLE ASS'Y, GROUND	
4	7	PX-623-1	GUARD, PLASTIC	
4	6	PR-103-1	TAB, PAPER	
2	5	PM-490	BRACE, PANEL	
1	4	NP-250	NAMEPLATE IDENTIFICATION	
1	3	MS-2669	HOLDER, CARD	
4	2	JJ-174	CONNECTOR, RECEPTACLE	
1	1	MS-2672	PANEL, FRONT	

AL MARTINENGO		LIST OF MATERIAL	
MATERIAL ALUMINUM		THE TECHNICAL MATERIEL CORP. MAMARONECK, NEW YORK	
FINISH TMC SMOOTH GRAY SEMI-GLOSS ENAMEL		TITLE JACK PATCH PANEL QDL TO LC	
UNLESS OTHERWISE SPECIFIED DIMENSIONS ARE IN INCHES AND INCLUDE CHEMICALLY APPLIED OR PLATED FINISHES	DRAWN M.J. TANTILLO CHECKED HDe	DATE 9-24-62 DATE 9-25-62	FINAL APPROVAL BP DATE 9-25-62
DECIMALS .X ± .05 .XX ± .01 .XXX ± .005	FRACTIONS ± 1/64 ANGLES ± 0° 30'	ELECT. DES. MECH. DES.	DATE 9/26/62 SHEET

QTY./UNIT	MODEL USED ON	ASS'Y. NO.
1	QDP 9F2X4	
SCALE	CODE	

NOTES

THE CONTENTS OF THIS DRAWING ARE THE EXCLUSIVE PROPERTY OF THE TECHNICAL MATERIEL CORP. ITS UNAUTHORIZED USE OR REPRODUCTION IN WHOLE OR IN PART IS STRICTLY FORBIDDEN.

QDP 9F2X4